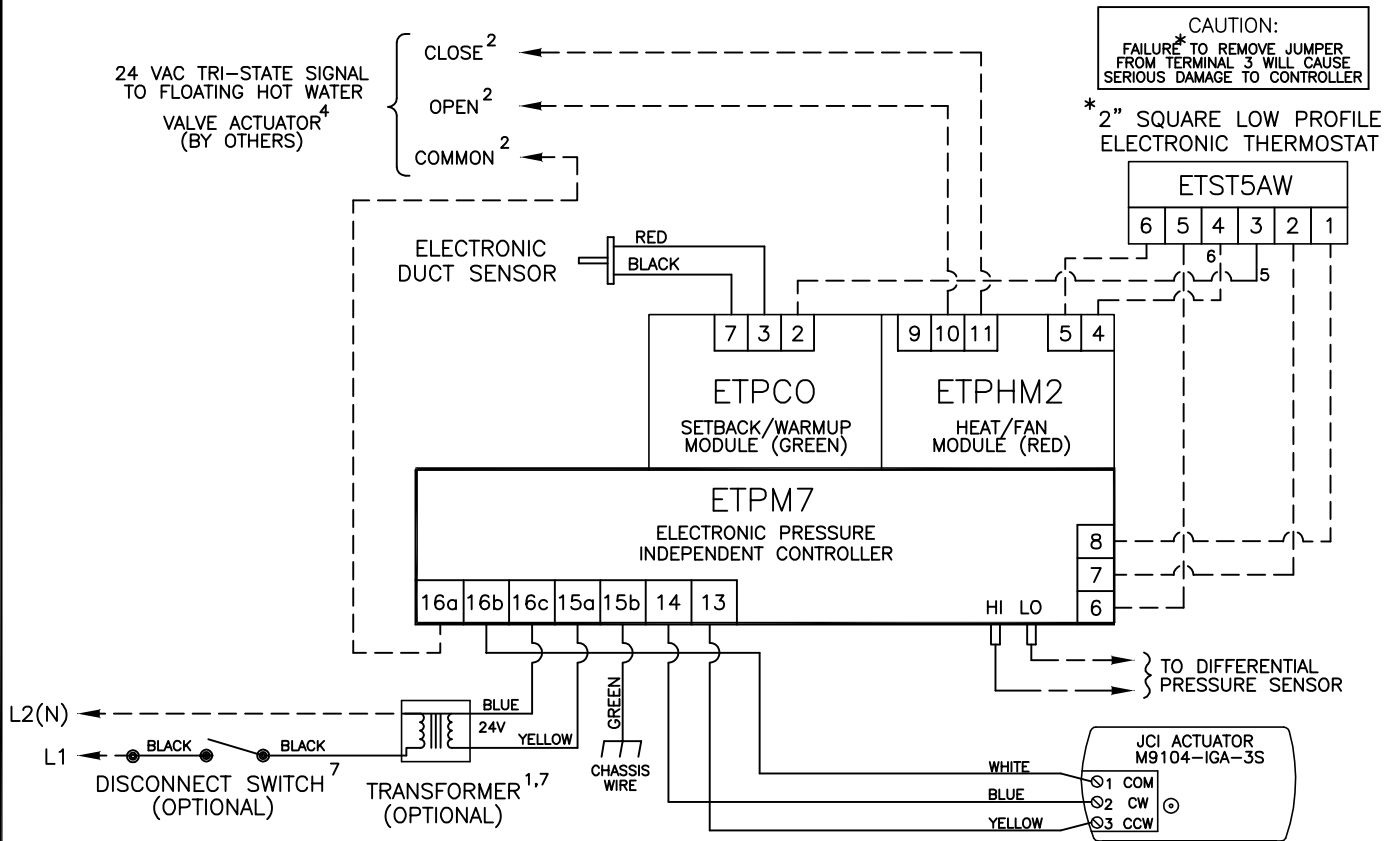
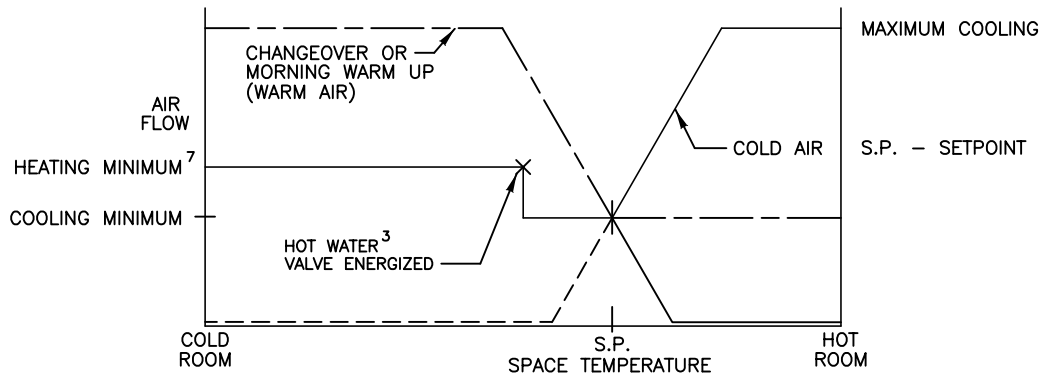


This application provides single duct variable air volume cooling with floating modulating hot water reheat, summer/winter changeover and/or morning warm up, and dual minimum setpoints. As space temperature drops, airflow is reset from maximum to minimum setpoint. As space temperature continues to drop, airflow is reset to a higher setpoint and reheat is modulated to satisfy the load. Warm air is sensed by an electronic duct sensor causing the sequence to reverse for changeover or morning warm up (reheat is disabled). Air volume limits are located at the thermostat.



CONTROLLER ASSY. MODEL: ETPX1CDLP

1 MINIMUM 40 VA
UP TO 30 VA AVAILABLE FOR HOT
WATER VALVE ACTUATOR (BY OTHERS)

2 MAXIMUM 15 VA HOLDING COIL

3 ENERGIZED 2° F BELOW SETPOINT

4 SUPPLIED, MOUNTED AND WIRED
BY OTHERS

5 REMOVE JUMPER ON TERMINAL 3 BEFORE
INSTALLATION.

6 IF DUAL MINIMUMS ARE NOT DESIRED,
WIRE FROM TERMINAL 4 OF ETST5AW TO
TERMINAL 4 OF ETPHM2 IS NOT REQUIRED

7 SEE ORDER FOR OPTIONAL
ITEM REQUIREMENTS

— — — — — FACTORY TUBING
- - - - - FIELD WIRING
— — — — — FACTORY WIRING

TITLE: SD7104		ENVIRO-TEC BY JOHNSON CONTROLS	
PRESSURE INDEPENDENT ELECTRONIC CONTROLS		DRN BY: AWW	DATE: 06/11/97
THIS DRAWING CONTAINS PROPRIETARY DATA. UNAUTHORIZED DISCLOSURE, REPRODUCTION, OR USE IS STRICTLY PROHIBITED WITHOUT WRITTEN PERMISSION.		SCALE: N/A	DRAWING NO.
DO NOT SCALE DRAWING. DIMENSIONS AND DATA ARE SUBJECT TO CHANGE WITHOUT NOTICE. CONTACT FACTORY FOR CERTIFIED DRAWINGS.		OKD BY: WAE	DATE: 04/09/08
		REV: 09	19493