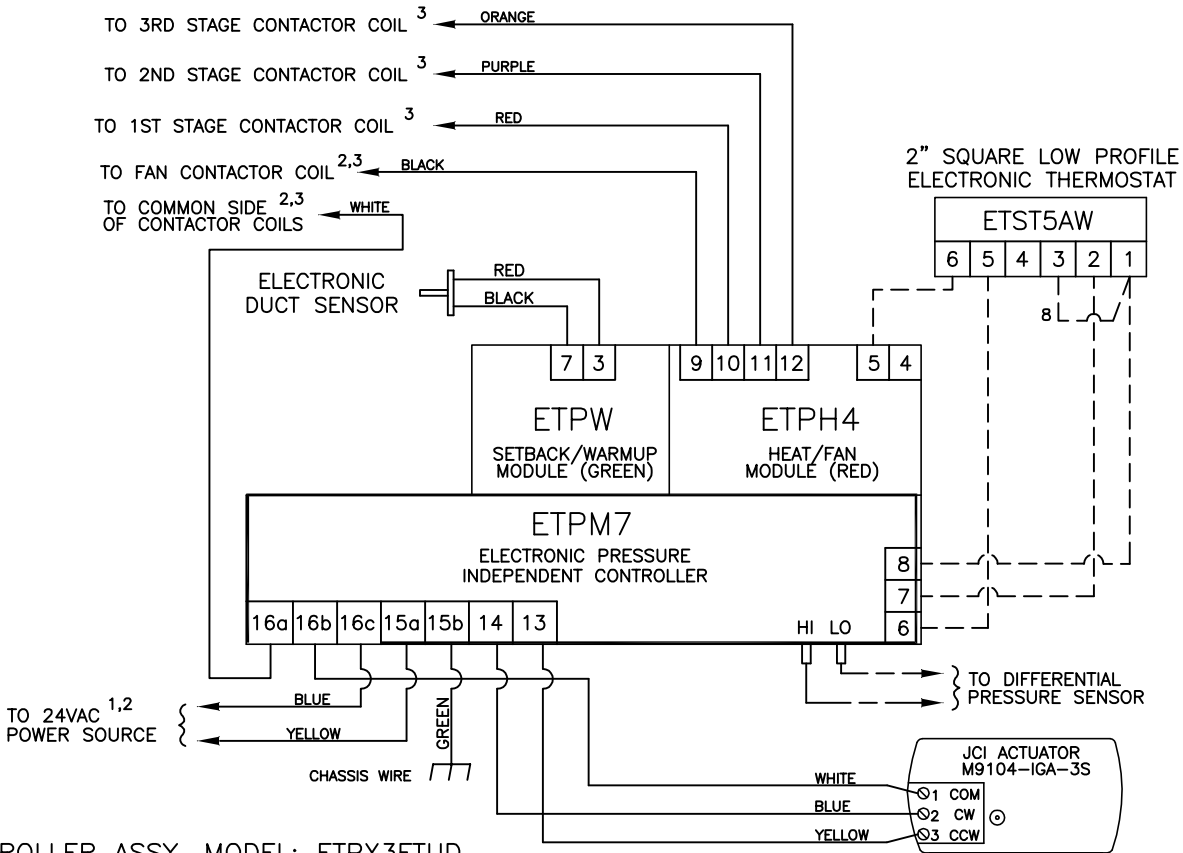
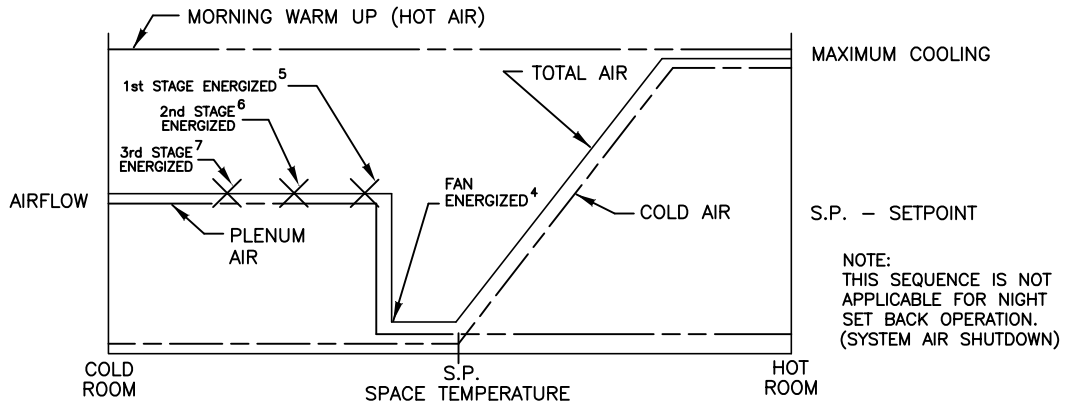


This application provides intermittent fan powered variable air volume control with three stages of electric heat and morning warm up. As space temperature drops, primary airflow is reset from maximum to minimum setpoint. As space temperature continues to drop, the unit fan is energized thus supplying plenum air to the space. On a further drop in space temperature, heat is energized in stages to satisfy the load. When warm air is sensed by an electronic duct sensor, the unit fan and heat are deenergized and the primary air valve opens to maximum airflow setpoint for morning warm up. Air volume limits are located at the thermostat.



CONTROLLER ASSY. MODEL: ETPX3FTUD

- 1 MINIMUM 50 VA
- 2 TRANSFORMER AND FAN RELAY ARE LOCATED IN HEATER ENCLOSURE—REFER TO HEATER WIRING DIAGRAM.
- 3 MAXIMUM 10 VA HOLDING COIL
- 4 ENERGIZED 1° F BELOW SETPOINT
- 5 ENERGIZED 2° F BELOW SETPOINT
- 6 ENERGIZED 3° F BELOW SETPOINT
- 7 ENERGIZED 4° F BELOW SETPOINT
- 8 WIRE TERMINAL 3 TO TERMINAL 1 IN THE FIELD

--- FACTORY TUBING
 - - - FIELD WIRING
 _____ FACTORY WIRING

TITLE:		FV7302		ENVIRO-TEC BY JOHNSON CONTROLS	
PRESSURE INDEPENDENT ELECTRONIC CONTROLS				DRN BY: WDD	DATE: 04/17/00
THIS DRAWING CONTAINS PROPRIETARY DATA. UNAUTHORIZED DISCLOSURE, REPRODUCTION, OR USE IS STRICTLY PROHIBITED WITHOUT WRITTEN PERMISSION.				SCALE: N/A	DRAWING NO.
DO NOT SCALE DRAWING. DIMENSIONS AND DATA ARE SUBJECT TO CHANGE WITHOUT NOTICE. CONTACT FACTORY FOR CERTIFIED DRAWINGS.				OKD BY: WAE	DATE: 04/09/08
				REV: 08	20863