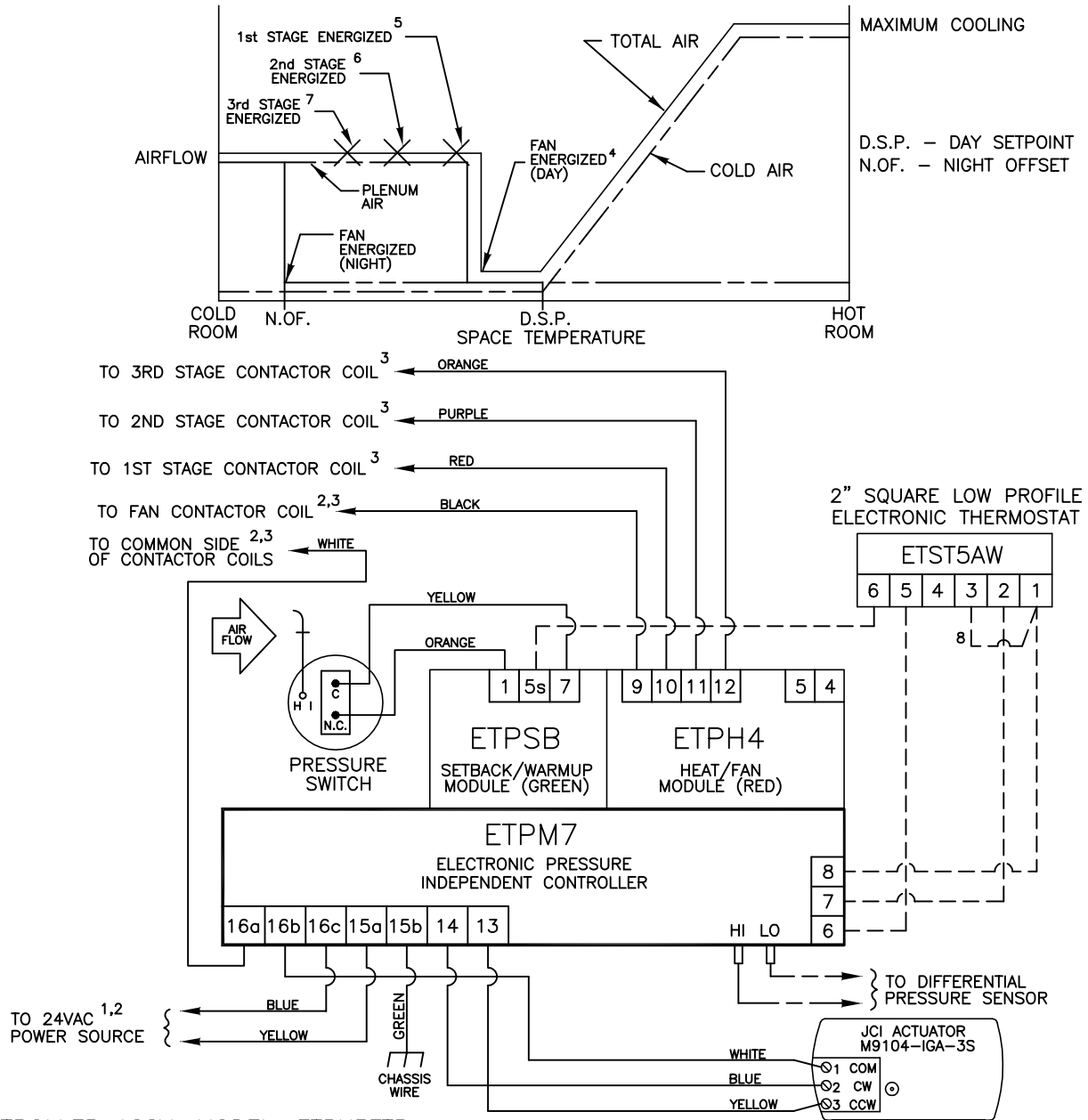


This application provides intermittent fan powered variable air volume control with three stages of electric heat and night setback. As space temperature drops, primary airflow is reset from maximum to minimum setpoint. As space temperature continues to drop, the unit fan is energized thus supplying plenum air to the space. On a further drop in space temperature, heat is energized in stages to satisfy the load. When system air is failed, the unit automatically switches into the night setback mode. The primary air valve remains closed and the unit fan and heat are cycled to maintain the night offset. Air volume limits are located at the thermostat.



CONTROLLER ASSY. MODEL: ETPX3FTB

- 1 MINIMUM 50 VA
- 2 TRANSFORMER AND FAN RELAY ARE LOCATED IN HEATER ENCLOSURE—REFER TO HEATER WIRING DIAGRAM.
- 3 MAXIMUM 10 VA HOLDING COIL
- 4 ENERGIZED 1° F BELOW SETPOINT
- 5 ENERGIZED 2° F BELOW SETPOINT

- 6 ENERGIZED 3° F BELOW SETPOINT
- 7 ENERGIZED 4° F BELOW SETPOINT
- 8 WIRE TERMINAL 3 TO TERMINAL 1 IN THE FIELD

--- FACTORY TUBING
 - - - FIELD WIRING
 _____ FACTORY WIRING

FV7202		ENVIRO-TEC BY JOHNSON CONTROLS	
PRESSURE INDEPENDENT ELECTRONIC CONTROLS			
DRN BY: WDD	DATE: 04/17/00	SCALE: N/A	DRAWING NO.
THIS DRAWING CONTAINS PROPRIETARY DATA. UNAUTHORIZED DISCLOSURE, REPRODUCTION, OR USE IS STRICTLY PROHIBITED WITHOUT WRITTEN PERMISSION.			20862
DO NOT SCALE DRAWING DIMENSIONS AND DATA ARE SUBJECT TO CHANGE WITHOUT NOTICE. CONTACT FACTORY FOR CERTIFIED DRAWINGS.			
OKD BY: WAE	DATE: 04/09/08	REV: 08	