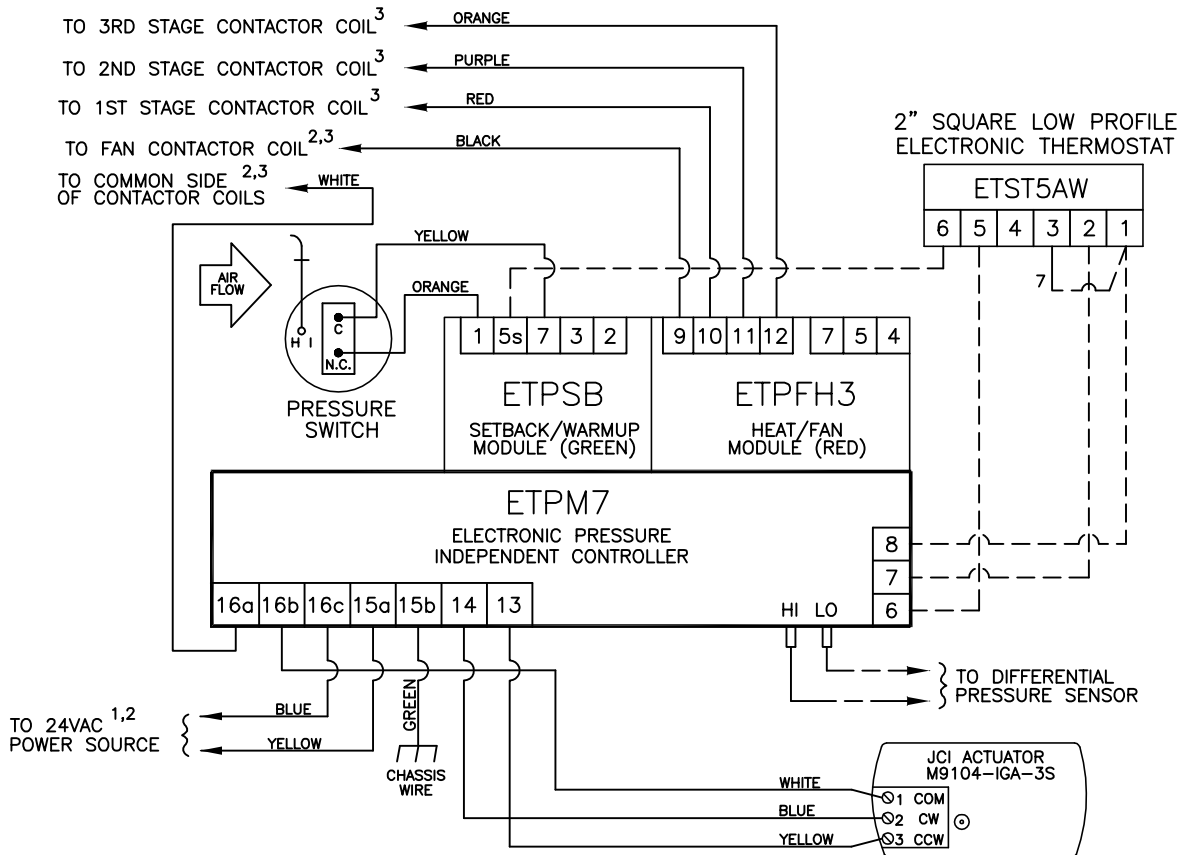
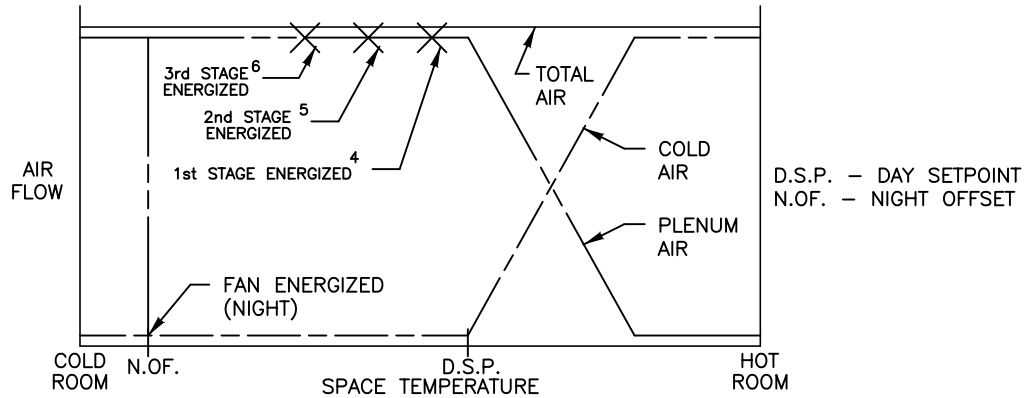


This application applies to Series Flow fan powered terminals providing three stages of electric heat and night setback. The unit fan draws either cold primary air or warm plenum air to satisfy the load. If plenum air fails to maintain setpoint, heat is energized in stages to satisfy the load. When system air is failed, the unit automatically switches to the night setback mode. The primary air valve remains closed and the unit fan and heat are cycled to maintain the night offset. Air volume limits are located at the thermostat.



CONTROLLER ASSY. MODEL: ETPX3FB

1 MINIMUM 50 VA

2 TRANSFORMER AND FAN RELAY ARE LOCATED IN HEATER ENCLOSURE—REFER TO HEATER WIRING DIAGRAM.

3 MAXIMUM 10 VA HOLDING COIL

4 ENERGIZED 2° F BELOW SETPOINT

5 ENERGIZED 3° F BELOW SETPOINT

6 ENERGIZED 4° F BELOW SETPOINT

7 WIRE TERMINAL 3 TO TERMINAL 1 IN THE FIELD

--- FACTORY TUBING
 - - - FIELD WIRING
 _____ FACTORY WIRING

TITLE:

FC7202

PRESSURE INDEPENDENT ELECTRONIC CONTROLS

ENVIRO-TEC
 BY JOHNSON CONTROLS

DRN BY: WDD	DATE: 04/14/00	SCALE: N/A	DRAWING NO.
OKD BY: WAE	DATE: 04/09/08	REV: 07	20856

THIS DRAWING CONTAINS PROPRIETARY DATA. UNAUTHORIZED DISCLOSURE, REPRODUCTION, OR USE IS STRICTLY PROHIBITED WITHOUT WRITTEN PERMISSION

DO NOT SCALE DRAWING. DIMENSIONS AND DATA ARE SUBJECT TO CHANGE WITHOUT NOTICE. CONTACT FACTORY FOR CERTIFIED DRAWINGS.