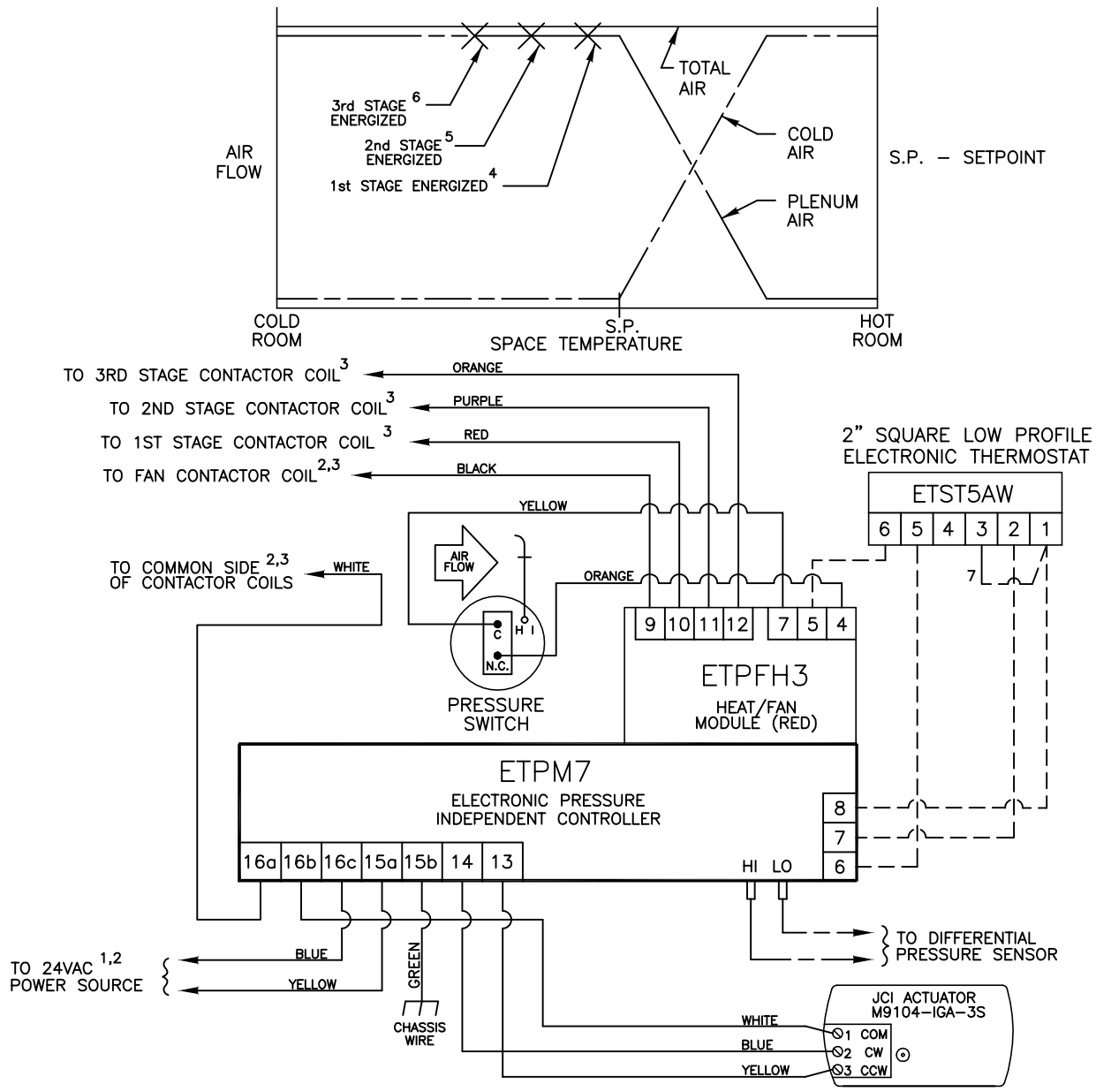


This application applies to Series Flow fan powered terminals providing three stages of electric heat. The unit fan draws either cold primary air or warm plenum air to satisfy the load. If plenum air fails to maintain setpoint, heat is energized in stages to satisfy the load. When system air is failed, the primary air valve closes and the unit fan and heat are deenergized for night operation. Air volume limits are located at the thermostat.



CONTROLLER ASSY. MODEL: ETPX3FY

1 MINIMUM 50 VA

2 TRANSFORMER AND FAN RELAY ARE LOCATED IN HEATER ENCLOSURE—REFER TO HEATER WIRING DIAGRAM.

3 MAXIMUM 10 VA HOLDING COIL

4 ENERGIZED 2° F BELOW SETPOINT

5 ENERGIZED 3° F BELOW SETPOINT

6 ENERGIZED 4° F BELOW SETPOINT

7 WIRE TERMINAL 3 TO TERMINAL 1 IN THE FIELD

--- FACTORY TUBING
 - - - FIELD WIRING
 _____ FACTORY WIRING

TITLE: FC7002 PRESSURE INDEPENDENT ELECTRONIC CONTROLS			
DRN BY: AWW	DATE: 06/22/00	SCALE: N/A	DRAWING NO.
OKD BY: WAE	DATE: 04/08/08	REV: 07	20854
<small>THIS DRAWING CONTAINS PROPRIETARY DATA. UNAUTHORIZED DISCLOSURE, REPRODUCTION, OR USE IS STRICTLY PROHIBITED WITHOUT WRITTEN PERMISSION.</small>		<small>DO NOT SCALE DRAWING. DIMENSIONS AND DATA ARE SUBJECT TO CHANGE WITHOUT NOTICE. CONTACT FACTORY FOR CERTIFIED DRAWINGS.</small>	