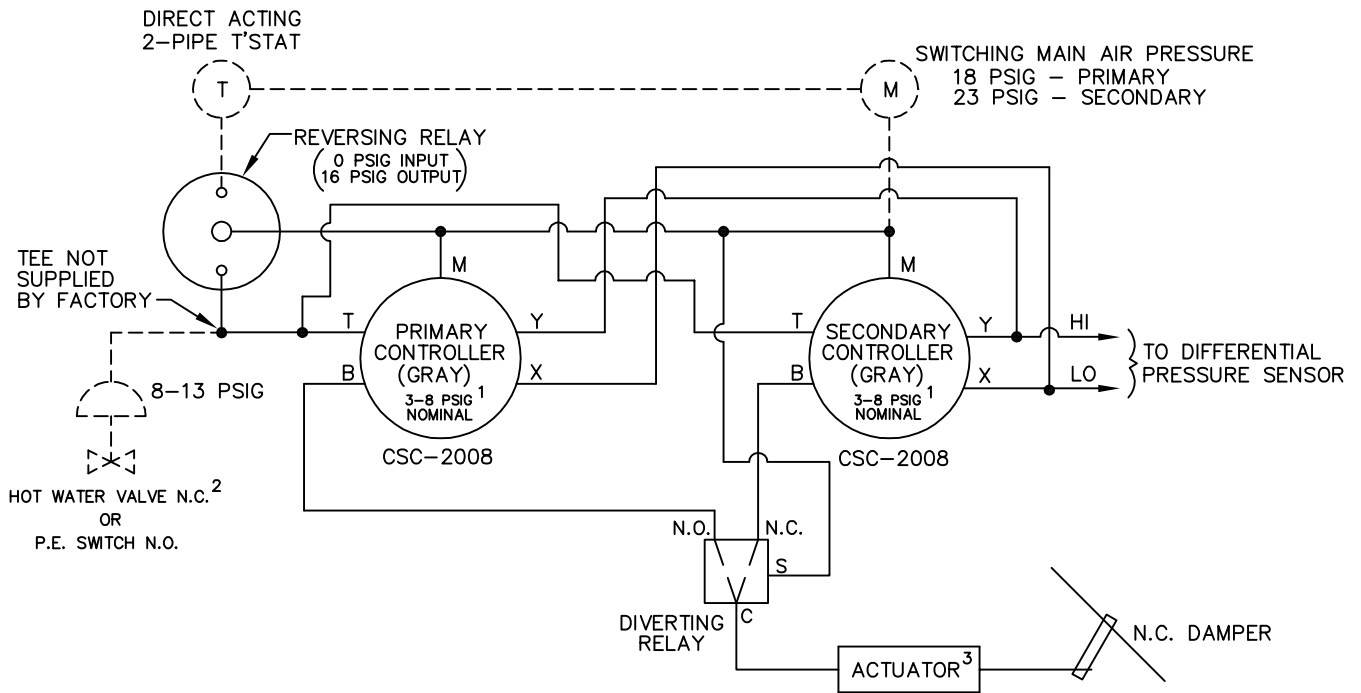
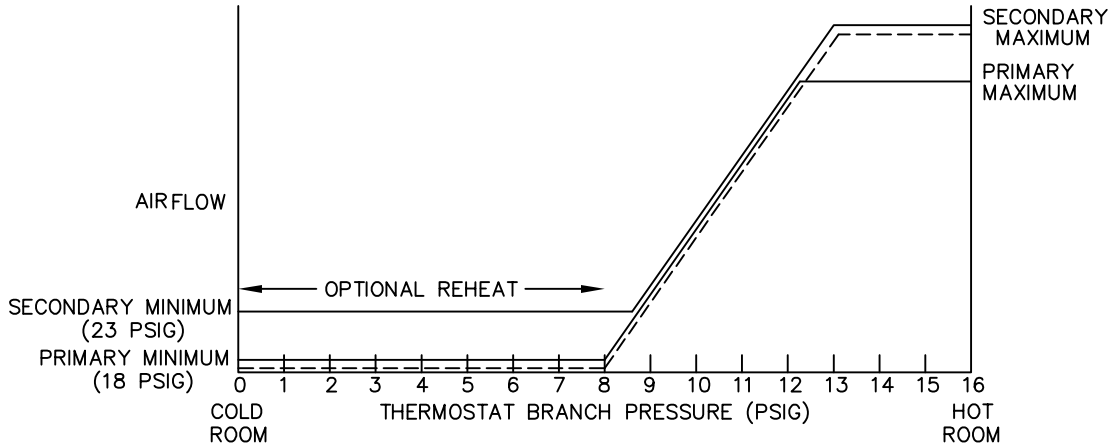


This control sequence provides single duct variable air volume control with dual maximum and/or dual minimum airflow setpoints. Optional reheat control will require a normally closed hot water valve or a normally open P.E. switch. On a rise in space temperature airflow is increased. On a drop in space temperature airflow is decreased. A 23 PSIG signal (by others) switches the airflow setpoint values from the primary controller to the secondary controller.



- 1 CONTROLLER RESET RANGE WILL VARY WITH AIRFLOW LIMITS
- 2 HOT WATER VALVE SUPPLIED BY OTHERS P.E. SWITCH IS INCLUDED IN ELECTRIC HEATER
- 3 UNIT SIZES 19 & 22 UTILIZE DUAL ROTARY PNEUMATIC DAMPER ACTUATORS.

—————FACTORY PIPING    - - - - -FIELD PIPING

PNEUMATIC AIR CONSUMPTION 1.6 SCFH



**TITLE:** SD455R  
**PRESSURE INDEPENDENT PNEUMATIC CONTROLS**  
THIS DRAWING CONTAINS PROPRIETARY DATA. UNAUTHORIZED DISCLOSURE, REPRODUCTION, OR USE IS STRICTLY PROHIBITED WITHOUT WRITTEN PERMISSION

**DRN BY:** AWW    **DATE:** 06/21/93  
**CKD BY:** WAE    **DATE:** 10/08/08    **REV:** 05

**DRAWING NO.**  
 16393