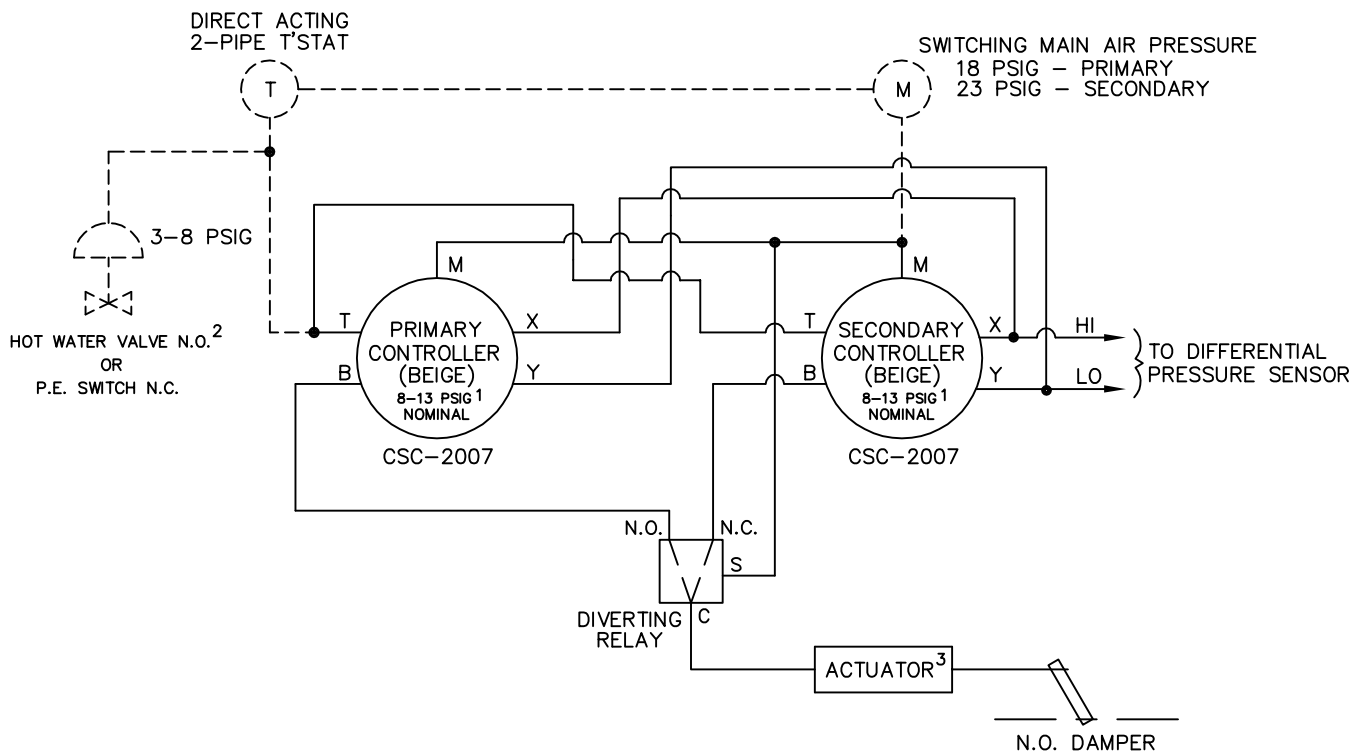
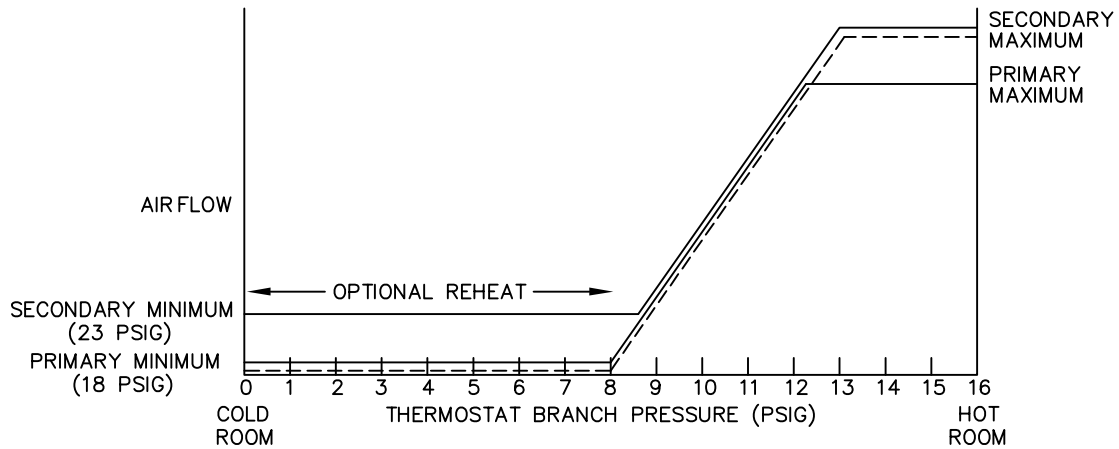


This control sequence provides single duct variable air volume control with dual maximum and/or dual minimum airflow setpoints. Optional reheat control will require a normally open hot water valve or a normally closed P.E. switch. On a rise in space temperature, airflow is increased. On a drop in space temperature, airflow is decreased. A 23 PSIG signal (by others) switches the airflow setpoint values from the primary controller to the secondary controller.



- 1 CONTROLLER RESET RANGE WILL VARY WITH AIRFLOW LIMITS
- 2 HOT WATER VALVE SUPPLIED BY OTHERS P.E. SWITCH IS INCLUDED IN ELECTRIC HEATER
- 3 UNIT SIZES 19 & 22 UTILIZE DUAL ROTARY PNEUMATIC DAMPER ACTUATORS

— FACTORY PIPING - - - - FIELD PIPING

PNEUMATIC AIR CONSUMPTION 1.0 SCFH



TITLE: SD452R
PRESSURE INDEPENDENT PNEUMATIC CONTROLS
THIS DRAWING CONTAINS PROPRIETARY DATA. UNAUTHORIZED DISCLOSURE, REPRODUCTION, OR USE IS STRICTLY PROHIBITED WITHOUT WRITTEN PERMISSION

DRN BY: AWW **DATE:** 05/10/94
CKD BY: WAE **DATE:** 10/08/08 **REV:** 05

DRAWING NO.
 16390