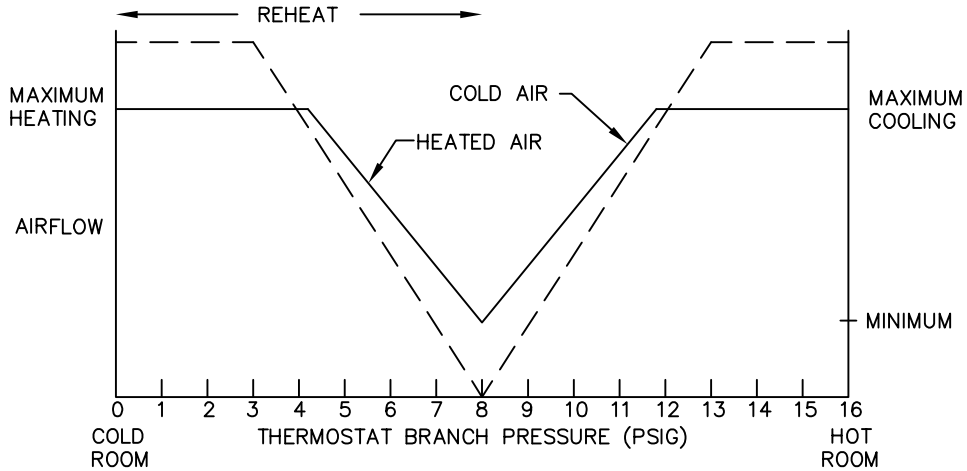
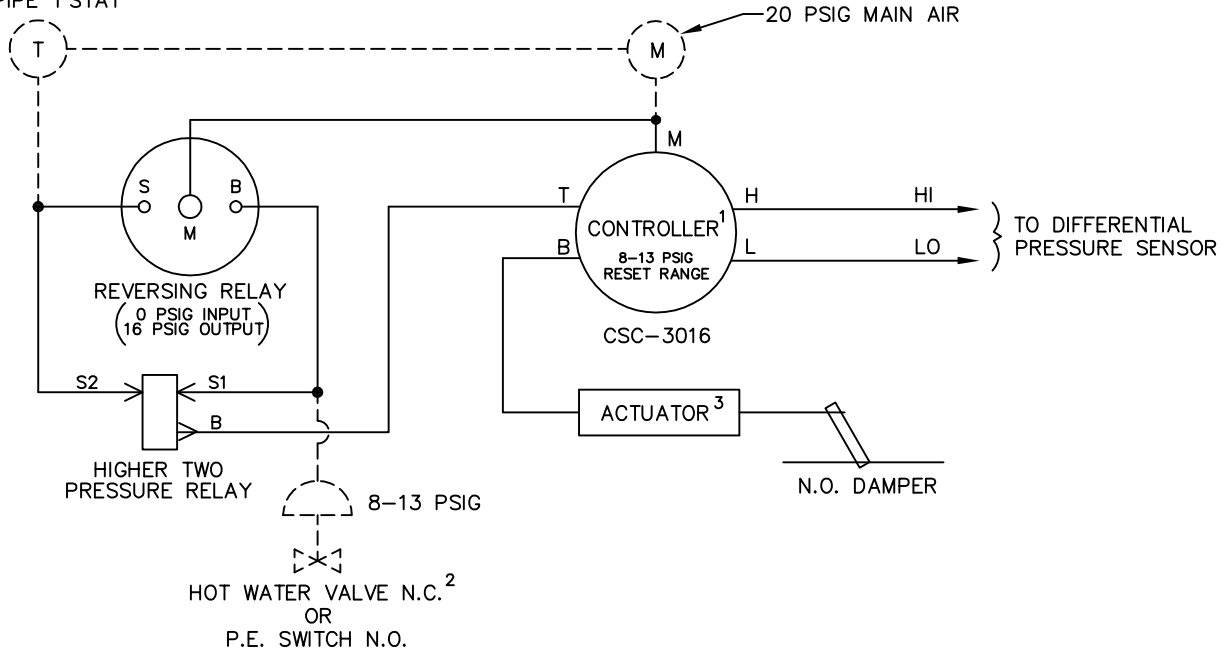


A direct acting, two-pipe thermostat is required. Damper is normally open. Reheat control requires a normally closed hot water valve or a normally open P.E. switch. As the space temperature decreases, cold airflow is decreased to minimum position. If the space temperature continues to drop, airflow is increased to maximum position and reheat is energized. Maximum and minimum CFM setpoints are field adjustable. The controller can be calibrated to provide a constant reset range regardless of airflow limits.



DIRECT ACTING
2-PIPE T*STAT



¹ CONTROLLER REQUIRES FIELD CALIBRATION AND SET UP UNLESS OTHERWISE SPECIFIED. IF FACTORY CALIBRATION OPTION IS USED, THE RESET SPAN AND STARTPOINT WILL BE ADJUSTED AS SHOWN ABOVE UNLESS OTHERWISE SPECIFIED.

² HOT WATER VALVE SUPPLIED BY OTHERS P.E. SWITCH IS INCLUDED IN ELECTRIC HEATER
³ UNIT SIZES 19 & 22 UTILIZE DUAL ROTARY PNEUMATIC DAMPER ACTUATORS

— FACTORY PIPING - - - - FIELD PIPING

PNEUMATIC AIR CONSUMPTION 1.6 SCFH



TITLE: **SD432RC**
PRESSURE INDEPENDENT PNEUMATIC CONTROLS
THIS DRAWING CONTAINS PROPRIETARY DATA. UNAUTHORIZED DISCLOSURE, REPRODUCTION, OR USE IS STRICTLY PROHIBITED WITHOUT WRITTEN PERMISSION

DRN BY: AWW DATE: 05/13/97
CKD BY: WAE DATE: 10/08/08 REV: 03

DRAWING NO. 17811