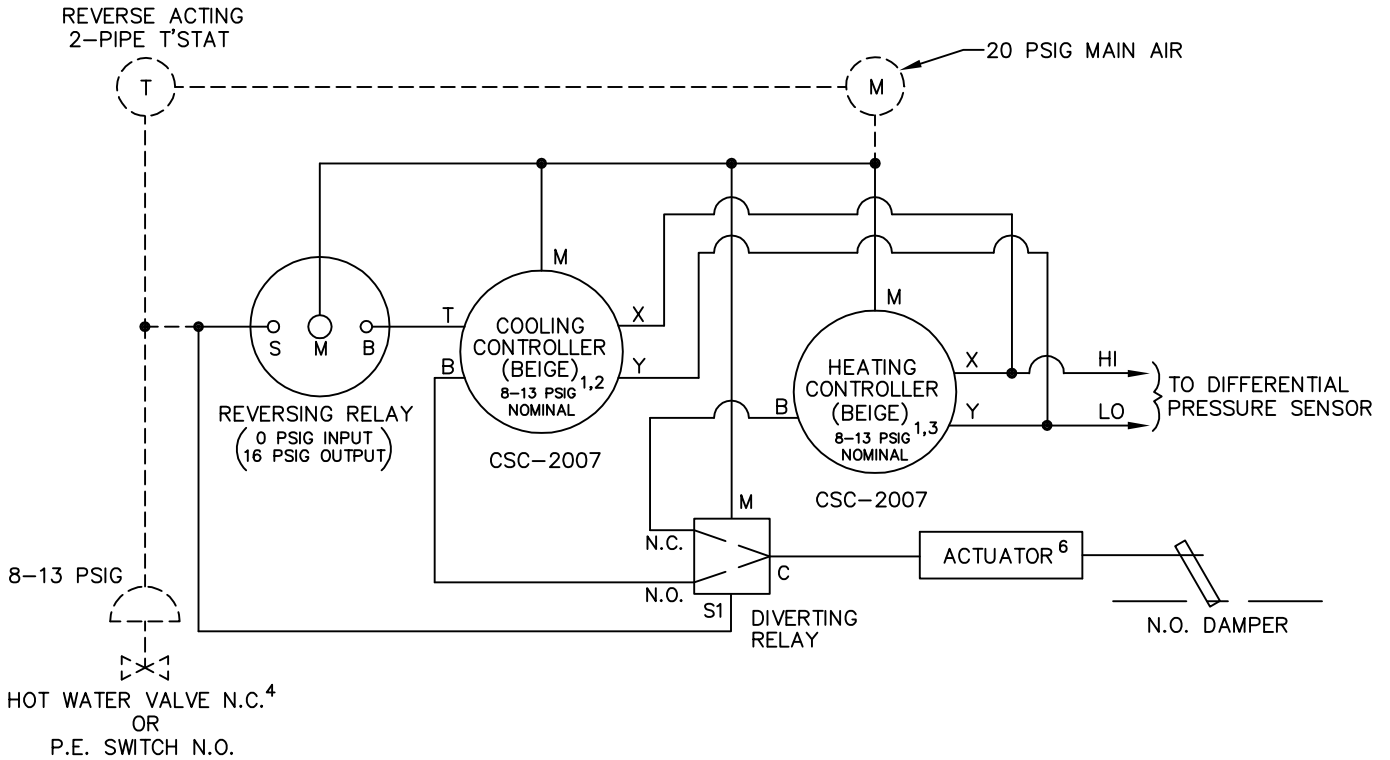
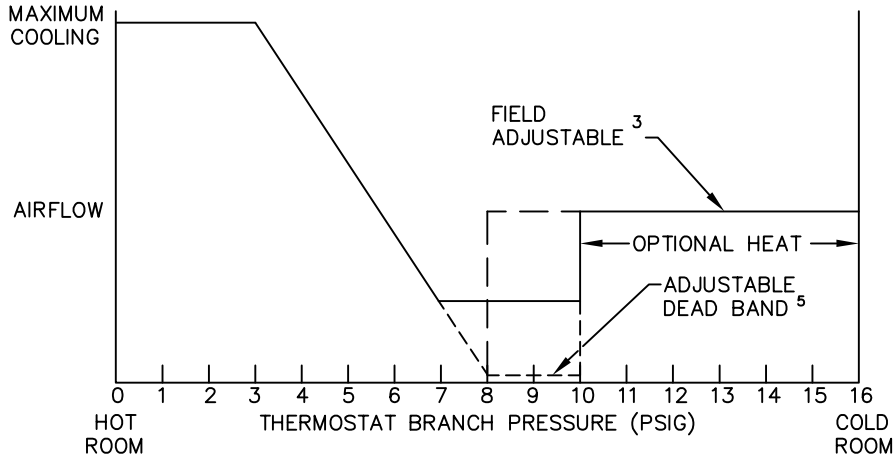


A reverse acting, two-pipe thermostat is required. Damper is normally open. Optional reheat control will require a normally closed hot water valve or a normally open P.E. switch. On a rise in space temperature airflow is increased. On a drop in space temperature airflow is decreased to minimum position. As space temperature continues to drop, the controller goes through a field adjustable dead band at minimum position and then increases to a higher field adjustable minimum for reheat.



- 1 CONTROLLER RESET RANGE WILL VARY WITH AIRFLOW LIMITS
- 2 ADJUST FOR MAXIMUM & MINIMUM COOLING SETPOINTS
- 3 ADJUST "LO" KNOB ONLY FOR HEATING MINIMUM SETPOINT
- 4 HOT WATER VALVE SUPPLIED BY OTHERS. P.E. SWITCH IS INCLUDED IN ELECTRIC HEATER
- 5 ADJUST DIVERTING RELAY TO DESIRED SWITCHOVER PRESSURE
- 6 UNIT SIZES 19 & 22 UTILIZE DUAL ROTARY PNEUMATIC DAMPER ACTUATORS

———— FACTORY PIPING - - - - - FIELD PIPING PNEUMATIC AIR CONSUMPTION 1.6 SCFH

| | | | | |
|--|---|-----------------------|--------------------------|-----------------------------|
| | TITLE: SD430R PRESSURE INDEPENDENT PNEUMATIC CONTROLS | DRN BY: AWW | DATE: 06/21/93 | DRAWING NO. 16376 |
| | THIS DRAWING CONTAINS PROPRIETARY DATA. UNAUTHORIZED DISCLOSURE, REPRODUCTION, OR USE IS STRICTLY PROHIBITED WITHOUT WRITTEN PERMISSION | CKD BY: WAE | DATE: 11/04/08 | REV: 06 |