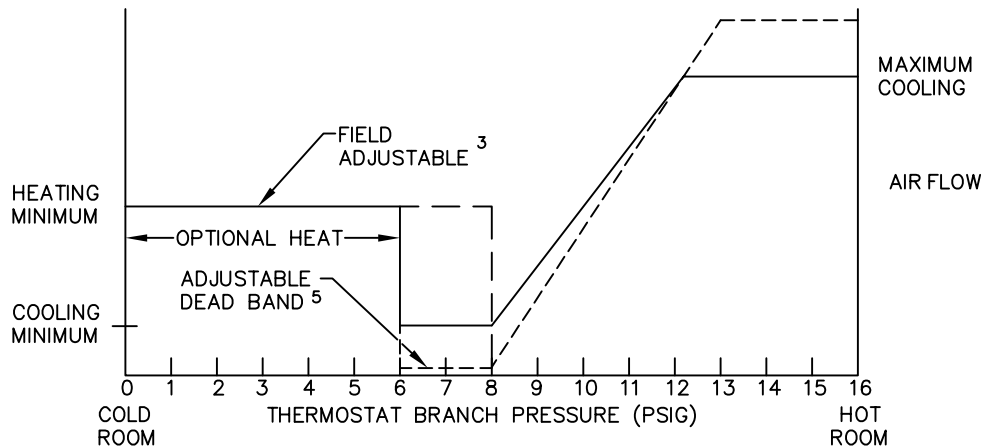
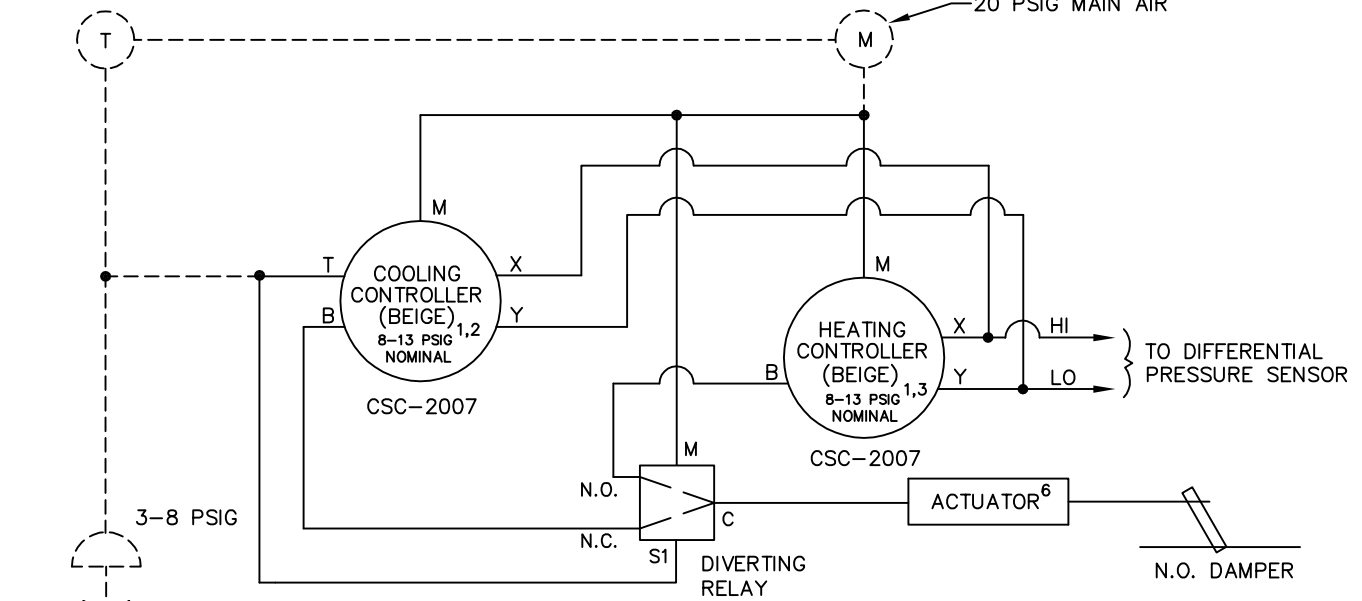


A direct acting, two-pipe thermostat is required. Damper is normally open. Optional reheat control will require a normally open hot water valve or a normally closed P.E. switch. On a rise in space temperature airflow is increased. On a drop in space temperature airflow is decreased to minimum position. As space temperature continues to drop, the controller goes through a field adjustable dead band at minimum position and then increases to a higher field adjustable minimum for reheat.



DIRECT ACTING
2-PIPE T'STAT



HOT WATER VALVE N.O.⁴
OR
P.E. SWITCH N.C.

1 CONTROLLER REQUIRES FIELD CALIBRATION AND SET UP UNLESS OTHERWISE SPECIFIED. IF FACTORY CALIBRATION OPTION IS USED, THE RESET SPAN AND STARTPOINT WILL BE ADJUSTED AS SHOWN ABOVE UNLESS OTHERWISE SPECIFIED.

2 ADJUST FOR MAXIMUM & MINIMUM COOLING SETPOINTS

3 ADJUST "LO" KNOB ONLY FOR HEATING MINIMUM SETPOINT

4 HOT WATER VALVE SUPPLIED BY OTHERS P.E. SWITCH IS INCLUDED IN ELECTRIC HEATER

5 ADJUST DIVERTING RELAY TO DESIRED SWITCHOVER PRESSURE

6 UNIT SIZES 19 & 22 UTILIZE DUAL ROTARY PNEUMATIC DAMPER ACTUATORS

————— FACTORY PIPING - - - - - FIELD PIPING

PNEUMATIC AIR CONSUMPTION 1.0 SCFH



TITLE: **SD428R**
PRESSURE INDEPENDENT PNEUMATIC CONTROLS

THIS DRAWING CONTAINS PROPRIETARY DATA. UNAUTHORIZED DISCLOSURE, REPRODUCTION, OR USE IS STRICTLY PROHIBITED WITHOUT WRITTEN PERMISSION

DRN BY: AWW DATE: 05/10/94

CKD BY: WAE DATE: 11/04/08 REV: 07

DRAWING NO.
16374

UNCONTROLLED WHEN PRINTED