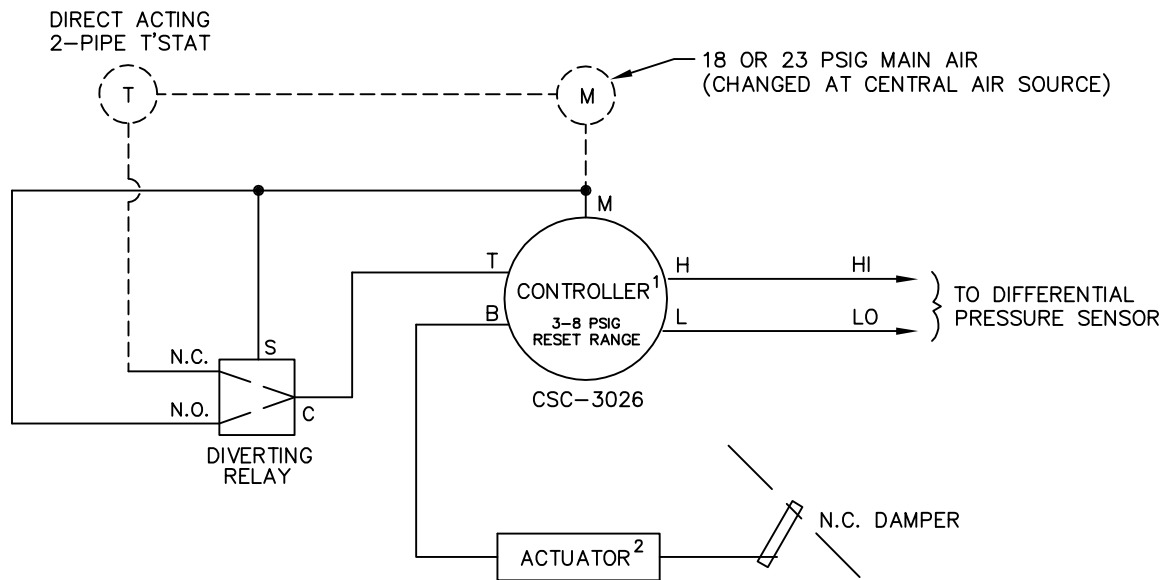
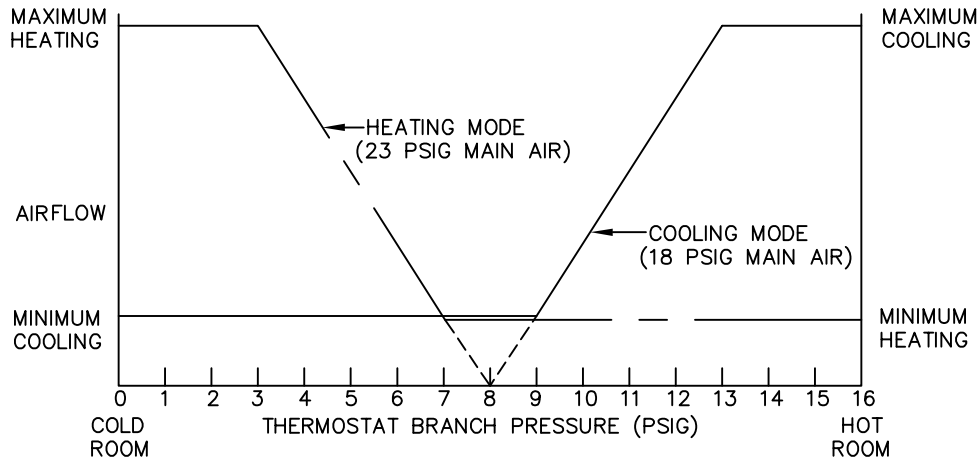


A direct acting, two-pipe thermostat is required. Damper is normally closed. With 18 PSIG main air pressure, variable volume control with cold supply air is achieved. On a rise in space temperature, cold airflow is increased. On a drop in space temperature, cold air is decreased. With 23 PSIG main air pressure, variable volume control with hot air supply is achieved. On a rise in space temperature, hot airflow is decreased. On a drop in space temperature, hot airflow is increased. Maximum and minimum CFM setpoints are field adjustable. Control of the cold or hot supply air is between these setpoints. The controller can be calibrated to provide a constant reset range regardless of airflow limits.



¹ CONTROLLER REQUIRES FIELD CALIBRATION AND SET UP UNLESS OTHERWISE SPECIFIED. IF FACTORY CALIBRATION OPTION IS USED, THE RESET SPAN AND STARTPOINT WILL BE ADJUSTED AS SHOWN ABOVE UNLESS OTHERWISE SPECIFIED.

² UNIT SIZES 19 & 22 UTILIZE DUAL ROTARY PNEUMATIC DAMPER ACTUATORS

————— FACTORY PIPING - - - - - FIELD PIPING

PNEUMATIC AIR CONSUMPTION 1.0 SCFH



TITLE:	SD423RC
	PRESSURE INDEPENDENT PNEUMATIC CONTROLS
THIS DRAWING CONTAINS PROPRIETARY DATA. UNAUTHORIZED DISCLOSURE, REPRODUCTION, OR USE IS STRICTLY PROHIBITED WITHOUT WRITTEN PERMISSION	

DRN BY:	DATE:
AWW	05/13/97
CKD BY:	DATE:
WAE	11/04/08
REV:	04

DRAWING NO.
17805