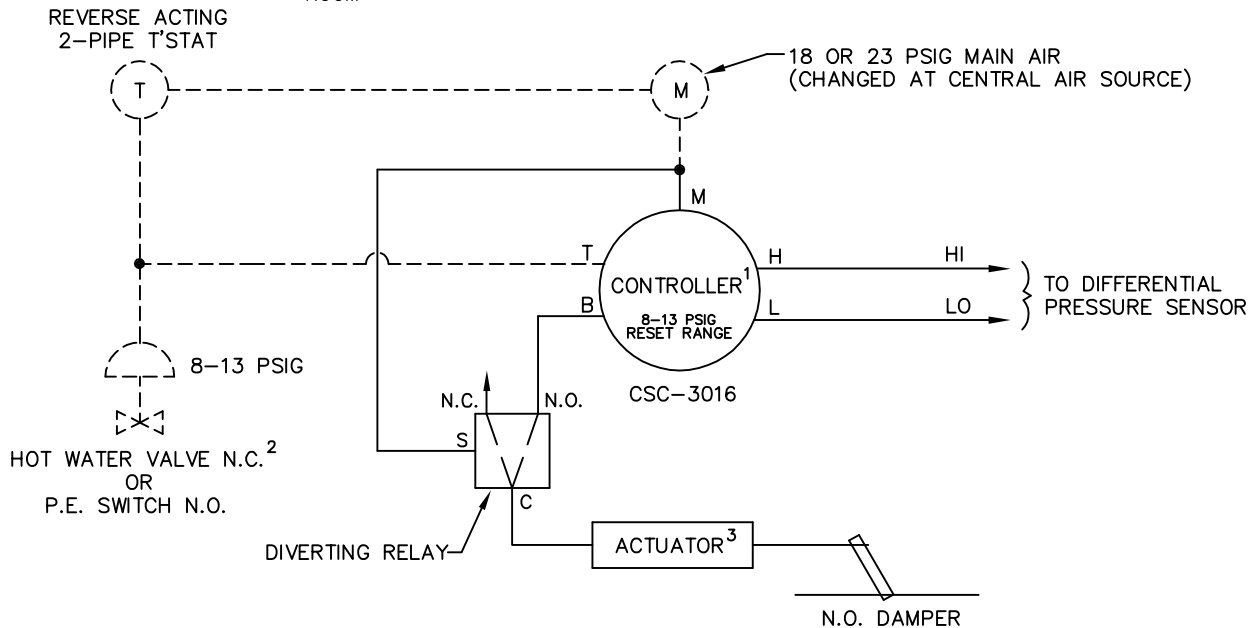
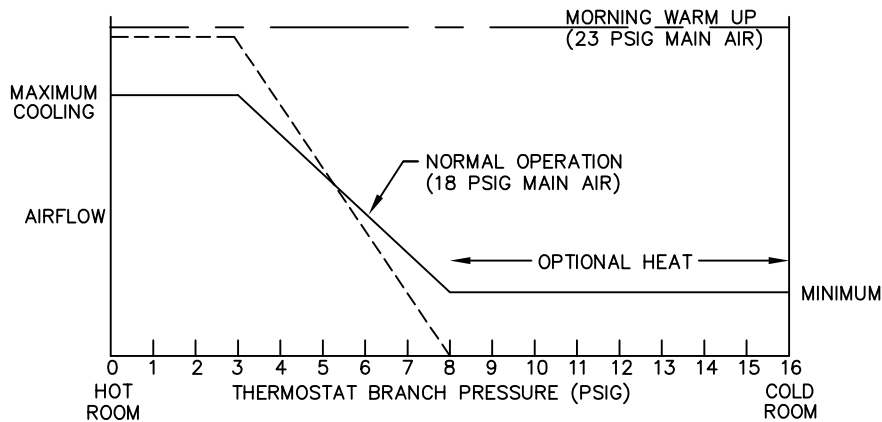


A reverse acting, two-pipe thermostat is required. Damper is normally open. Optional reheat control will require a normally closed hot water valve or a normally open P.E. switch. With 18 PSIG main air pressure, normal variable volume control occurs. On a rise in space temperature airflow is increased. On a drop in space temperature airflow is decreased. Maximum and minimum CFM setpoints are field adjustable. Control of supply air to room is between these setpoints. If the space temperature continues to drop at minimum airflow, the thermostat will energize an optional electric heater or hot water coil valve to provide reheat. With 23 PSIG main air pressure, the damper modulates to the full open position to accomplish morning warm up. The controller can be calibrated to provide a constant reset range regardless of airflow limits.



1. CONTROLLER REQUIRES FIELD CALIBRATION AND SET UP UNLESS OTHERWISE SPECIFIED. IF FACTORY CALIBRATION OPTION IS USED, THE RESET SPAN AND STARTPOINT WILL BE ADJUSTED AS SHOWN ABOVE UNLESS OTHERWISE SPECIFIED.

2. HOT WATER VALVE SUPPLIED BY OTHERS P.E. SWITCH IS INCLUDED IN ELECTRIC HEATER  
 3. UNIT SIZES 19 & 22 UTILIZE DUAL ROTARY PNEUMATIC DAMPER ACTUATORS.

— FACTORY PIPING    - - - - FIELD PIPING

PNEUMATIC AIR CONSUMPTION 1.0 SCFH



TITLE: **SD414RC**  
**PRESSURE INDEPENDENT PNEUMATIC CONTROLS**  
THIS DRAWING CONTAINS PROPRIETARY DATA. UNAUTHORIZED DISCLOSURE, REPRODUCTION, OR USE IS STRICTLY PROHIBITED WITHOUT WRITTEN PERMISSION

DRN BY: AWW    DATE: 05/09/94  
 CKD BY: WAE    DATE: 10/07/08    REV: 04

DRAWING NO. 17798