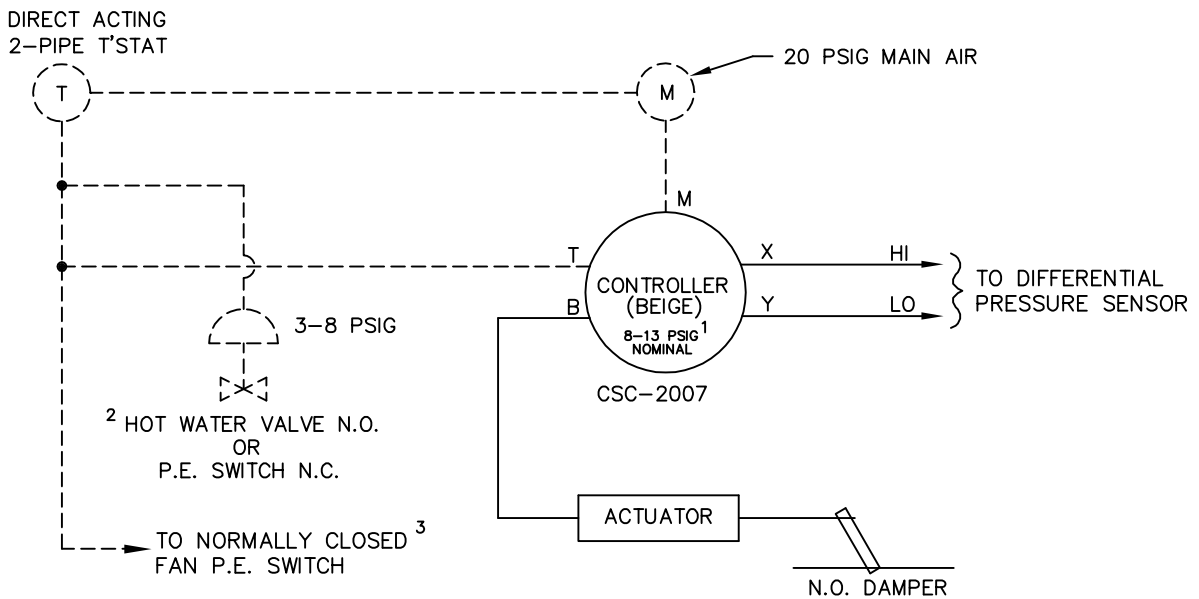
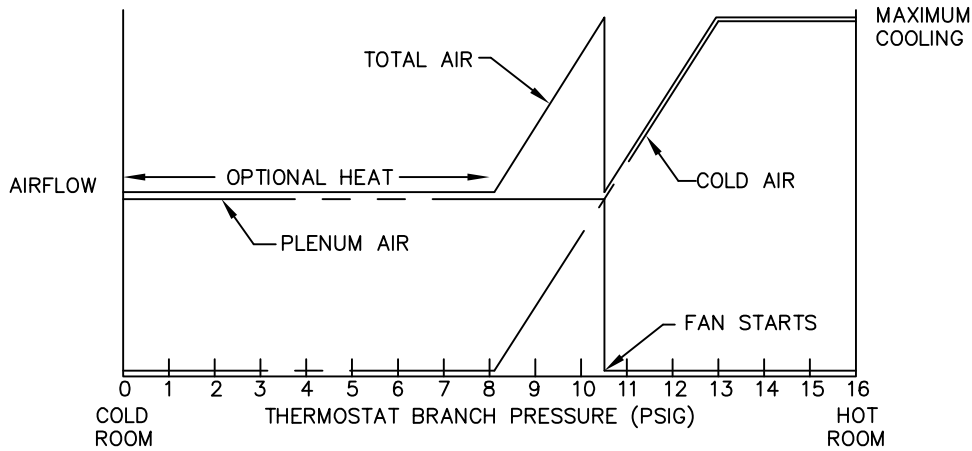


A direct acting, two-pipe thermostat is required. Damper is normally open. Optional reheat control will require a normally open hot water valve or a normally closed P.E. switch. As the space temperature decreases, the primary air damper modulates from maximum CFM setpoint to shut-off. When the primary air has decreased to a field adjustable CFM, the unit fan is energized thus supplying cold air mixed with ceiling plenum air to the space. If the space temperature continues to drop when the unit is supplying plenum air only, an optional electric heater or hot water coil valve is energized to satisfy load.



<sup>1</sup> CONTROLLER REQUIRES FIELD CALIBRATION AND SET UP UNLESS OTHERWISE SPECIFIED. CONTROLLER RESET RANGE WILL VARY WITH AIR FLOW LIMITS.

<sup>3</sup> REFER TO MOTOR WIRING DIAGRAM OR ELECTRICAL HEAT DIAGRAM (IF APPLICABLE).

<sup>2</sup> HOT WATER VALVE SUPPLIED BY OTHERS P.E. SWITCH IS INCLUDED IN ELECTRIC HEATER

PNEUMATIC AIR CONSUMPTION 0.5 SCFH

——— FACTORY PIPING    - - - - - FIELD PIPING



TITLE:		FV402R	
PRESSURE INDEPENDENT PNEUMATIC CONTROLS			
THIS DRAWING CONTAINS PROPRIETARY DATA. UNAUTHORIZED DISCLOSURE, REPRODUCTION, OR USE IS STRICTLY PROHIBITED WITHOUT WRITTEN PERMISSION			

DRN BY:	DATE:	DRAWING NO.	
LARRY	08/30/93	16484	
CKD BY:	DATE:	REV:	
WAE	08/19/08	06	