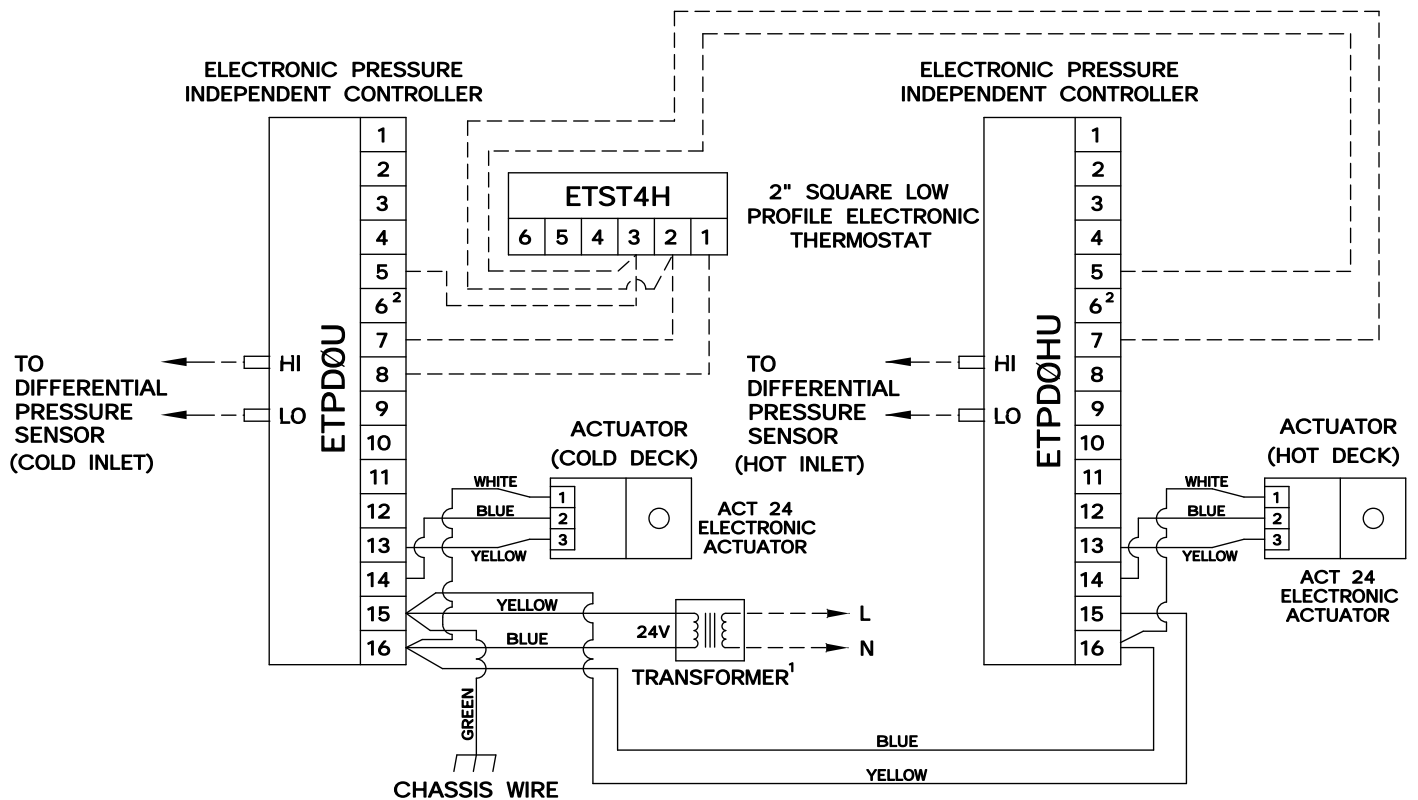
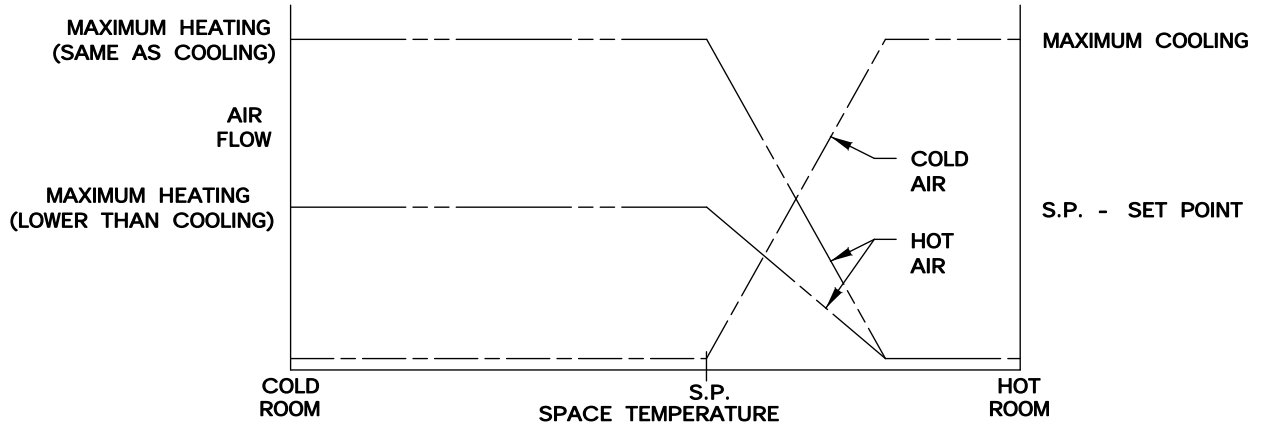


This sequence provides dual duct variable air volume control. When the space temperature is warm, the cold damper maintains maximum cooling airflow setpoint while the hot damper maintains minimum heating airflow setpoint. As the space temperature drops, the cold damper modulates closed while the hot damper opens. As the space temperature continues to fall, the cold damper maintains minimum cooling airflow setpoint and the hot damper maintains maximum heating airflow setpoint. Airflow limits for each deck are located on that deck's controller.



¹ MINIMUM 20 VA
² USED AS BALANCE POST TO SET MINIMUM AND MAXIMUM CFM

----- FACTORY TUBING
 FIELD WIRING
 _____ FACTORY WIRING



DD701SB

PRESSURE INDEPENDENT

DRAWING NO:

ELECTRONIC CONTROLS

21071

DRAWN BY: WDD	DATE: 09/18/00	REV NO: 00	REV DATE:	APPROVED BY: W.E.
------------------	-------------------	---------------	-----------	----------------------