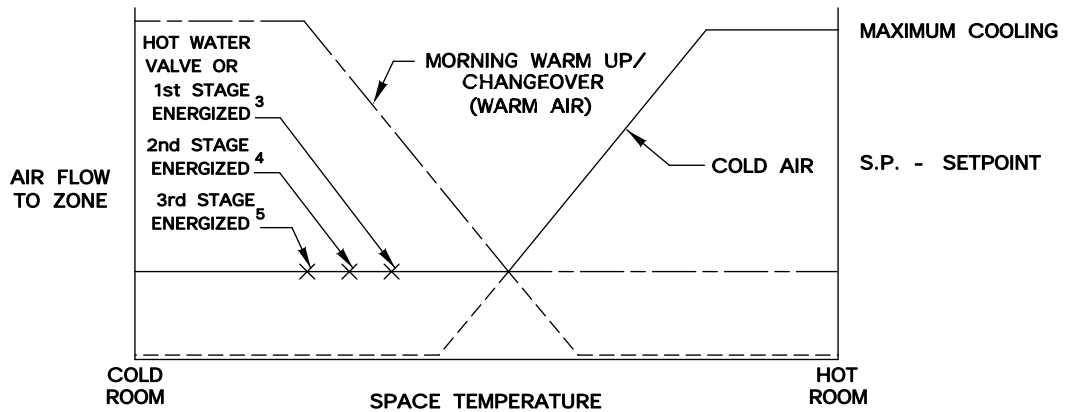


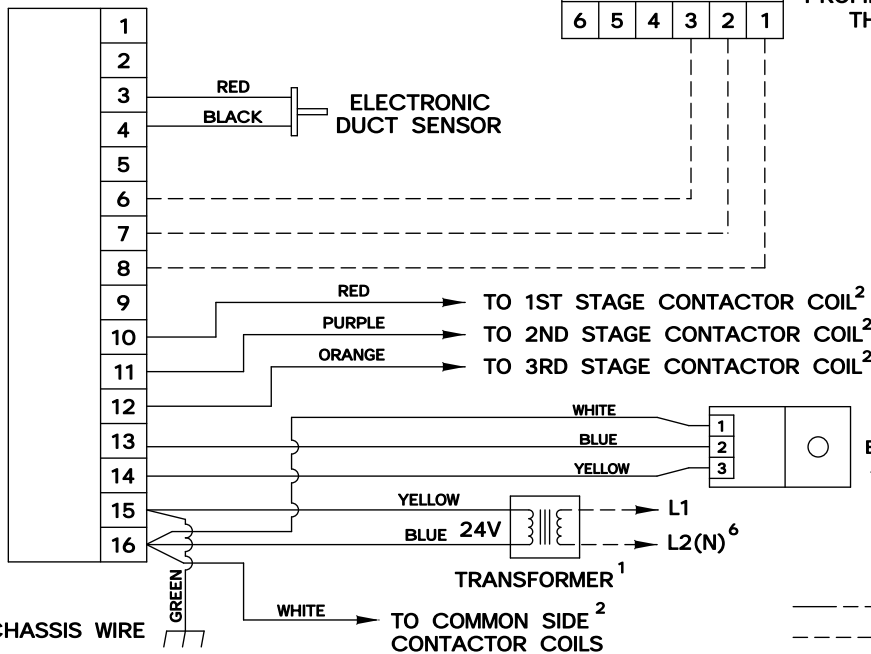
This series of control sequences provides single duct bypass variable air volume cooling with up to three stages of electric or hot water reheat and morning warm up/changeover. As space temperature drops, airflow to the zone is reset from full open to the minimum airflow setpoint. As space temperature continues to drop, reheat is energized in stages to satisfy the load. Warm air is sensed by an electronic duct sensor, causing the sequence to reverse for morning warm up or summer/winter changeover (reheat is disabled). The minimum airflow setpoint is field calibrated by adjusting the damper linkage. The maximum airflow setpoint is obtained through adjustment of an upstream damper provided by others.



ELECTRONIC TEMPERATURE RESPONSIVE CONTROLLER



2" SQUARE LOW PROFILE ELECTRONIC THERMOSTAT



ACT 24 ELECTRONIC ACTUATOR

----- FACTORY TUBING
 - - - - - FIELD WIRING
 _____ FACTORY WIRING

- 1 MINIMUM 40 VA CHASSIS WIRE
- 2 MAXIMUM 10 VA HOLDING COIL
- 3 ENERGIZED 2° F BELOW SETPOINT
- 4 ENERGIZED 3° F BELOW SETPOINT
- 5 ENERGIZED 4° F BELOW SETPOINT
- 6 IF ELECTRIC HEAT IS PROVIDED, TRANSFORMER IS LOCATED IN HEATER ENCLOSURE- REFER TO HEATER WIRING DIAGRAM.
- 7 IF HOT WATER REHEAT IS USED, FIELD WIRING IS REQUIRED.

SEQ. NO.	CONTROLLER NO.	HEAT STAGES	NOTES
BT609SB	ETRD0WD	0	—
BT611SB	ETRD1WD	1	7
BT613SB	ETRD2WD	2	—
BT615SB	ETRD3WD	3	—



BT609, BT611, BT613 & BT615 SB

TEMPERATURE RESPONSIVE

DRAWING NO:

20778

DRAWN BY: WDD DATE: 03/24/00 REV NO: 02 REV DATE: 09/19/00 APPROVED BY: W.E.

SIZES 4 THROUGH 8