

Model H & V

OBSOLETE



Horizontal and Vertical
BELT DRIVE
AIR HANDLING UNITS

 **ENVIRO-TEC**[®]
ENGINEERING FOR EXCELLENCE

| | |
|---|----|
| Features and Benefits | 4 |
| Coil and Filter Data, Static Pressure Data | 7 |
| Electric Resistance Heat Section | 8 |
| Coil Information (see ENVIRO-TEC® Coil Selection Program) | 9 |
| Fan Performance Data (see separate Fan Curve Catalog, I.D. CAT-CURVES-BD)..... | 10 |
| Unit Dimensional Data | |
| <i>Model H Series B</i> | 14 |
| <i>Model V Series B</i> | 15 |
| <i>Model H Series B, Basic Unit, Discharge Arrangement 3</i> | 16 |
| <i>Model H Series B, Basic Unit, Discharge Arrangement 4</i> | 17 |
| <i>Model H Series B, Basic Unit, Arrangement 3 with Blow-Thru Electric Heat</i> | 18 |
| <i>Model H Series B, Basic Unit, Arrangement 4 with Blow-Thru Electric Heat</i> | 19 |
| <i>Model H Series B, Basic Unit, Discharge Arrangement 2 and 5</i> | 20 |
| <i>Model H Series B, Basic Unit, Discharge Arrangement 1 and 6</i> | 21 |
| <i>Model H Series B, Basic Unit, Arrangement 2 with Blow-Thru Electric Heat</i> | 22 |
| <i>Model H Series B, Basic Unit, Arrangement 1 with Blow-Thru Electric Heat</i> | 23 |
| <i>Model V Series B, Basic Unit, Discharge Arrangement 2</i> | 24 |
| <i>Model V Series B, Basic Unit, Discharge Arrangement 1</i> | 25 |
| <i>Model V Series B, Basic Unit, Arrangement 2 with Blow-Thru Electric Heat</i> | 26 |
| <i>Model V Series B, Basic Unit, Arrangement 1 with Blow-Thru Electric Heat</i> | 27 |
| <i>Model V Series B, Basic Unit, Discharge Arrangement 3</i> | 28 |
| <i>Model V Series B, Basic Unit, Discharge Arrangement 7</i> | 29 |
| <i>Model V Series B, Basic Unit, Arrangement 3 with Blow-Thru Electric Heat</i> | 30 |
| <i>Model V Series B, Basic Unit, Arrangement 7 with Blow-Thru Electric Heat</i> | 31 |
| <i>Model H/V Series B, Standard Flat Filter Rack</i> | 32 |
| <i>Model H/V Series B, V-Bank Filter Section</i> | 33 |
| <i>Model H/V Series B, 12" Blank Plenum</i> | 34 |
| <i>Model H/V Series B, 24" Blank Plenum</i> | 35 |
| <i>Model H/V Series B, Standard Blank Plenum</i> | 36 |
| <i>Model H/V Series B, Draw-Thru Electric Heat Section</i> | 37 |
| <i>Model H Series B, Standard Supply Plenum</i> | 38 |
| <i>Model V Series B, Standard Supply Plenum</i> | 39 |
| <i>Model HM/VM Series B, Standard Mixing Box</i> | 40 |
| Electrical and Weight Data | 42 |
| Guide Specifications..... | 43 |



STANDARD FEATURES

Construction

- G 60 galvanized steel cabinet construction, minimum 18 gauge, with heavier structured members
- 1" thick 4lb. dual-density fiberglass insulation, glued and pinned in place
- 1" supply duct collar(s)
- Gasketed, removable access panels sized for easy handling
- Galvanized steel drain pan with 1 1/8" ODM outlet, mastic coated
- Left and right hand arrangement

Fan Assembly

- Forward curved fans
- Statically and dynamically balanced
- Solid steel shafting
- Ball bearings with design average life of 100,000 hours
- See Fan Curve Catalog (I.D. CAT-CURVES-BD)

Fan Motor and Drive

- NEMA design ODP motors
- 1750 RPM single speed, 60 Hertz
- Single phase motors with inherent thermal protection
- Three phase motors
- Rigid mount adjustable motor base
- Standard cross section "V-belt" drive with 1.2 service factor
- Adjustable pitch motor pulley and fixed pitch blower pulley
- EPACT compliant motors where applicable

Coils

- ARI 410 Certified and Labeled
- 1/2" O.D. seamless copper tubes
- Collared and corrugated aluminum fins
- Manual air vent plug on all water coils
- 250 PSIG Working Pressure at 200°F
- Copper ODM sweat connections
- 0.016" tube wall on water and evaporator coils
- 0.025" tube wall on steam 0.016

Filters and Filter Rack

- Hinged side access flat filter rack
- Standard size 1" nominal throwaway filters
- Filter rack designed to accept 1" or 2" filters

Electrical

- Fan motor wired to J-Box
- All units ETL listed in compliance with UL/ANSI Std. 1995

OPTIONAL FEATURES

Construction

- 304 stainless steel drain pan
- IAQ 304 stainless steel sloped drain pan
- External rubber-in-shear or spring type vibration isolators, hangers or floor mount
- Optional fan outlet positions
- Internal fan/motor spring isolation
- Scrim reinforced foil faced insulation
- Double wall, solid liner
- Discharge plenum with double deflection supply grille
- Hinged access panels with lift & turn fasteners
- Alternate fan selections

Fan Motor and Drive

- TEFC motors
- High efficiency motors

Coils

- 4, 6 and 8 row chilled water, or R22 DX coils
- 1 and 2 row hot water or standard steam
- Heating coil in preheat or reheat position
- Coil connections opposite handing
- Stainless steel coil casings
- Copper fins
- See ENVIRO-TEC® Coil Selection Program

Filter Rack/Filters

- 2" pleated filter
- Spare throwaway or pleated filters
- High efficiency filter rack with 2" and 4" filters
- V-Bank Filter Section

Inlet Damper Section

- Factory assembled and installed
- Heavy gauge galvanized steel formed blade dampers
- Low leak dampers with extruded vinyl blade seals and flexible metal jamb seals
- Parallel blade operation
- Heavy gauge steel actuator mount pad

Electrical Control

- Motor wiring in conduit
- Single phase operating relay
- Three phase starter
- Frequency inverters
- Toggle type single phase service switch
- Three phase disconnect switch
- Fused incoming power

Electric Resistance Heat Section

- See page 8

Belt Drive Air Handlers, Designed For Maximum Flexibility

The ENVIRO-TEC® Model H Horizontal and Model V Vertical Belt Drive Air Handlers are designed to maximize flexibility of selection and installation.

The units are also designed to exceed the stringent quality standards of the institutional market, while remaining cost competitive in the light commercial segment of the market.

ENVIRO-TEC® Belt Drive Air Handlers set the new standards for quality, flexibility, and competitive pricing.

For the Building Designer: OPTIONAL COMPONENTS MEAN FLEXIBILITY

The extensive variety of standard options available on the H & V units are where you find the versatility to fit any HVAC system designer's needs.

Options include: Mixing Boxes with standard low leak dampers, V-Bank Filter sections, High Efficiency Filter sections for 2" prefilter and 4" final filter, Blow Thru or Draw Thru Electric heat with or without single point power connection. All Electric Heat

units are listed with ETL as an assembly and carry the ETL label.

Twelve inch, twenty-four inch or standard blank sections are available with or without drain pans and/or coils.

EPACT Compliant, High Efficiency motors, starters, disconnects and fusing mean easier coordination between mechanical and electrical trades.

Coil options allow for 4, 6 or 8 row cooling coils. Water coils have optional circuiting that can be used to reduce Water Pressure Drop, which may also allow for pipe size reductions and lower material cost. Hot Water or Standard Steam coils may be placed in the Preheat or Reheat position.

All Model H Horizontal and Model V Vertical belt drive air handlers have the option of Foil faced insulation or Double Wall solid liners.

For the Contractor: LOWER INSTALLED COST

All Model H Horizontal and Model V Vertical belt drive air handlers are shipped completely assembled, reducing field installation time and

labor. All units are thoroughly inspected and tested prior to shipment, eliminating potential problems at startup. Motor wiring is brought to a junction box on the outside of the unit casing, reducing electrical hook-up time.

A wide variety of fan discharge configurations allow for increased flexibility and easier installation on the jobsite, resulting in cost reductions by eliminating expensive elbows, etc.

For the Owner: QUALITY PRODUCT

Model H Horizontal and Model V Vertical belt drive air handlers are built from 18 gauge G 60 minimum spangled galvanized steel with a chromate coating. This metal surpasses the ASTM 125 hour salt spray test for corrosion and rust. Standard insulation is 1 inch, 4 pound per cubic foot skin, dual density insulation which is glued and pin spotted for maximum positive adhesion. Insulation complies with UL 181 and NFPA 90A.

All units, with or without Electric Heat, are ETL listed and labeled. All wiring is in compliance with NEC, assuring safety and quality for the owner.

Hanger holes in top and bottom panels for thru rod installation on single wall units

Premium grade, chromate coated, 18 gauge G 60 galvanized steel casing withstanding 125 hour salt spray test per ASTM B-117

Product label including tagging, airflow and electrical information

Pipe stubouts extend through unit casing

ETL label

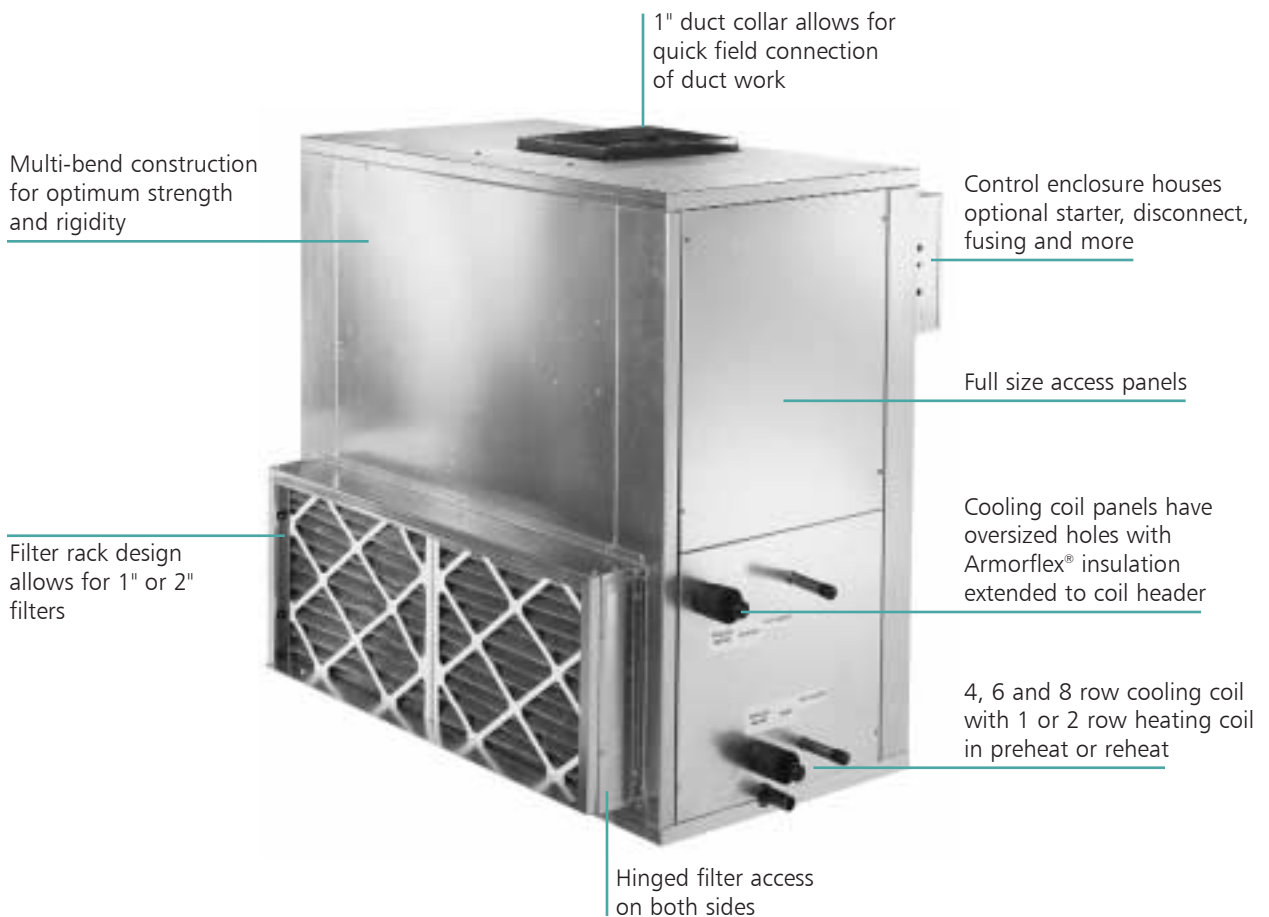
Forward curved fan

Standard and optional alternate selections

Access panels on both sides for easy access to blower and motor

NEMA 1 control enclosure

Optional hinged with lift and turn fasteners



1" duct collar allows for quick field connection of duct work

Multi-bend construction for optimum strength and rigidity

Control enclosure houses optional starter, disconnect, fusing and more

Full size access panels

Filter rack design allows for 1" or 2" filters

Cooling coil panels have oversized holes with Armorflex® insulation extended to coil header

4, 6 and 8 row cooling coil with 1 or 2 row heating coil in preheat or reheat

Hinged filter access on both sides

Coil and Filter Face Area Data

| UNIT SIZE | COIL FACE AREA (SQ. FT.) ¹ | FLAT FILTERS (QUANTITY), SIZE IN., ² [SQ. FT.] | V-BANK FILTERS (QUANTITY), SIZE IN., ² [SQ. FT.] |
|-----------|---------------------------------------|---|---|
| 08 | 2.1 | (1) 16 x 20 x 1 or 2 [2.2] | (2) 16 x 25 x 2 [5.6] |
| 12 | 2.7 | (1) 16 x 25 x 1 or 2 [2.8] | (2) 16 x 25 x 2 [5.6] |
| 16 | 3.5 | (2) 16 x 20 x 1 or 2 [4.4] | (4) 16 x 20 x 2 [8.9] |
| 20 | 4.9 | (1) 16 x 20 x 1 or 2 [5.0] (1) 16 x 25 x 1 or 2 | (2) 16 x 20 x 2 [10.0] (2) 16 x 25 x 2 |
| 25 | 6.0 | (2) 20 x 25 x 1 or 2 [6.9] | (4) 20 x 20 x 2 [15.6] (2) 16 x 20 x 2 |
| 30 | 6.5 | (2) 16 x 25 x 1 or 2 [9.0] (1) 20 x 25 x 1 or 2 | (4) 20 x 20 x 2 [15.6] (2) 16 x 20 x 2 |
| 40 | 8.4 | (3) 20 x 25 x 1 or 2 [10.4] | (8) 16 x 20 x 2 [17.8] |
| 50 | 10.3 | (2) 16 x 25 x 1 or 2 [12.5] (2) 20 x 25 x 1 or 2 | (6) 20 x 20 x 2 [21.1] (2) 16 x 20 x 2 |
| 60 | 11.7 | (4) 20 x 25 x 1 or 2 [13.9] | (6) 20 x 20 x 2 [23.6] (2) 20 x 25 x 2 |
| 80 | 18.3 | (6) 16 x 25 x 1 or 2 [21.1] (2) 16 x 20 x 1 or 2 | (12) 20 x 25 x 2 [41.7] |

NOTES:

1. Cooling and Heating coils have same face area.
2. Filter sizes are nominal.

Component Static Pressure Loss -- Inches W.G.

| UNIT SIZE | NOMINAL CFM | CABINET | FILTER ¹ | | COIL ^{2,3} | | | | | INLET DAMPER SECTION | ELECTRIC HEAT SECTION |
|-----------|-------------|---------|---------------------|--------|---------------------|-------|-------|-------|-------|----------------------|-----------------------|
| | | | 1" T/A | 2" T/A | 1 ROW | 2 ROW | 4 ROW | 6 ROW | 8 ROW | | |
| 08 | 800 | 0.09 | 0.07 | 0.25 | 0.05 | 0.09 | 0.25 | 0.37 | 0.53 | 0.04 | 0.05 |
| 12 | 1200 | 0.09 | 0.07 | 0.25 | 0.06 | 0.12 | 0.32 | 0.48 | 0.66 | 0.06 | 0.05 |
| 16 | 1600 | 0.10 | 0.07 | 0.25 | 0.06 | 0.12 | 0.33 | 0.50 | 0.68 | 0.09 | 0.05 |
| 20 | 2000 | 0.11 | 0.07 | 0.25 | 0.05 | 0.10 | 0.28 | 0.42 | 0.59 | 0.05 | 0.05 |
| 25 | 2500 | 0.12 | 0.07 | 0.25 | 0.06 | 0.11 | 0.29 | 0.44 | 0.61 | 0.06 | 0.05 |
| 30 | 3000 | 0.14 | 0.07 | 0.25 | 0.07 | 0.13 | 0.37 | 0.55 | 0.69 | 0.08 | 0.05 |
| 40 | 4000 | 0.16 | 0.07 | 0.25 | 0.07 | 0.13 | 0.36 | 0.54 | 0.73 | 0.07 | 0.05 |
| 50 | 5000 | 0.20 | 0.07 | 0.25 | 0.07 | 0.13 | 0.38 | 0.56 | 0.75 | 0.07 | 0.05 |
| 60 | 6000 | 0.20 | 0.07 | 0.25 | 0.08 | 0.15 | 0.42 | 0.62 | 0.82 | 0.08 | 0.05 |
| 80 | 8000 | 0.25 | 0.07 | 0.25 | 0.06 | 0.11 | 0.31 | 0.47 | 0.64 | 0.07 | 0.05 |

NOTES:

1. Filter static pressure based on half loaded filter.
2. Coil static pressure for standard coil, 10FPI at 80/67 EAT and 45° EWT.
3. For others, refer to the ENVIRO-TEC® Coil Selection Program.
4. All static pressures are at nominal CFM.

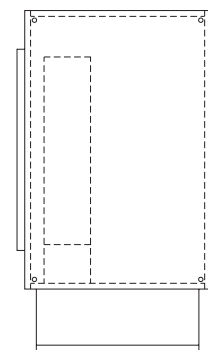
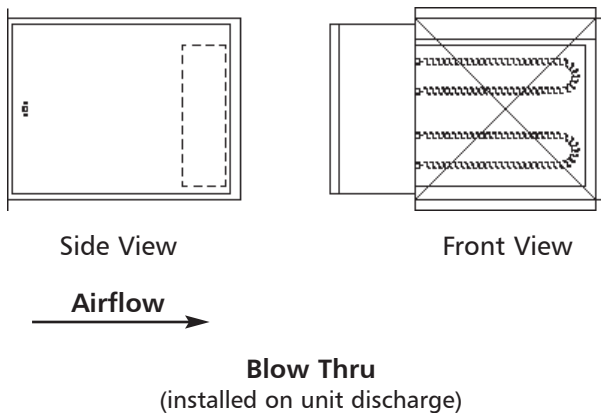
STANDARD FEATURES

- G 60 galvanized steel casing
- Flanged construction for direct unit mounting, draw thru or blow thru
- Listed for zero clearance installation
- Meets National Electrical Code requirements
- 80/20 Nickel chromium wire in ceramic insulators
- Stainless steel element terminals and hardware
- Element support brackets on maximum 3 1/2" centers
- Solid cover with continuous full height hinge
- Overtemperature protection
- All internal wiring rated for 105°C minimum
- Incoming line power distribution block
- Up to 102 kW at nominal voltages
- ETL Listed in compliance with UL/ANSI Std. 1995
- Airflow switch

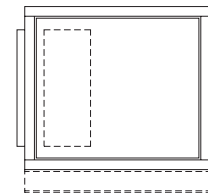
OPTIONAL FEATURES

- Main incoming power disconnect (fused) (non-fused)
- Fusing (main) (per NEC) (per step)
- Quiet operating magnetic contactors (24 volt control only)
- Magnetic contactors wired for de-energizing operation
- Magnetic contactors wired for disconnecting operation
- Mercury contactors wired for de-energizing operation (draw thru only)

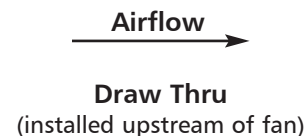
- Mercury contactors wired for disconnecting operation (draw thru only)
- Class II 24 volt control transformer
- Primary and/or secondary control transformer fusing
- Fan interlock relay
- Solid state relay with 4-20 mA, thermistor 0-135 Ohm, 0-16 VDC, or 6-9 VDC control (draw thru only)
- Thermostat, duct or wall mounted
- Remote component mounting panels
- Fan motor fusing (required on single point power connection)
- Fan motor relay or starter with heater interlock contacts (required on single point power connection)
- Pilot duty 24 volt fan relay
- De-rated elements
- Single point power connection
- Heater factory mounted to unit with ETL listing as an assembly, can be factory mounted in preheat or reheat position.
- Fin tubular elements (draw thru only)



Plan View



Side View



NOTES:

1. Blow-thru electric heat sections may be shipped separate for field installation to unit.
2. Factory certified electrical submittal drawings available upon request.

Coils by ENVIRO-TEC®

ENVIRO-TEC® manufactures hot water, chilled water, direct expansion (DX), and standard steam coils for specific application with all Model H Horizontal and Model V Vertical air handlers. ARI 410 certified and labeled, and strict on-site inspection before, during, and after installation guarantees the highest quality and performance available.

Standard Features

- Designed, Manufactured and Tested by ENVIRO-TEC®
- ARI 410 Certified and Labeled
- 1/2" O.D. Seamless Copper Tubes
- Aluminum Fin Construction with Die-Formed Spacer Collars for Uniform Spacing
- Mechanically Expanded Copper Tubes Leak Tested to a Minimum 350 PSIG Air Pressure Under Water
- Manual Air Vent Plug on All Water Coils
- Copper ODM Sweat Connections
- 250 PSIG Working Pressure at 200°F
- Evaporator Coils are Factory Sealed and Charged with a Minimum of 5 PSIG Nitrogen or Refrigerated Dry Air

Optional Features

- Elevated Working Pressure Ratings
- Heat Pump Compatible Cooling Coils
- .0075" Aluminum Fins
- .0075" Copper Fins
- .025" Tube Wall on Water Coils



The ENVIRO-TEC® Windows® based ARI 410 certified Coil Selection Program accompanying this catalog provides all necessary selection and coil rating information for Model H Horizontal & Model V Vertical air handling units.

Nominal Coil Connection Sizes

| UNIT SIZE | COIL TYPE | | | | | | | | | | | |
|-----------|-----------|--------|--------|--------|--------|--------|--------|--------|-------------|--------|--------|--------|
| | WATER | | | | STEAM | | | | REFRIGERANT | | | |
| | 1 ROW | 2 ROW | 4 ROW | 6 ROW | 1 ROW | | 2 ROW | | 4 ROW | | 6 ROW | |
| | | | | | STM. | COND. | STM. | COND. | LIQ. | SUCT. | LIQ. | SUCT. |
| 08 | 5/8" | 5/8" | 7/8" | 7/8" | 1 1/8" | 7/8" | 1 1/8" | 7/8" | 5/8" | 5/8" | 5/8" | 5/8" |
| 12 | 5/8" | 5/8" | 7/8" | 7/8" | 1 1/8" | 7/8" | 1 1/8" | 7/8" | 5/8" | 7/8" | 5/8" | 7/8" |
| 16 | 5/8" | 7/8" | 7/8" | 1 1/8" | 1 1/8" | 7/8" | 1 3/8" | 1 1/8" | 5/8" | 7/8" | 5/8" | 7/8" |
| 20 | 5/8" | 7/8" | 1 1/8" | 1 1/8" | 1 3/8" | 1 1/8" | 1 3/8" | 1 1/8" | 5/8" | 7/8" | 5/8" | 7/8" |
| 25 | 5/8" | 7/8" | 1 1/8" | 1 3/8" | 1 3/8" | 1 1/8" | 1 5/8" | 1 1/8" | 5/8" | 7/8" | 5/8" | 1 1/8" |
| 30 | 7/8" | 1 1/8" | 1 1/8" | 1 3/8" | 1 5/8" | 1 1/8" | 1 5/8" | 1 1/8" | 5/8" | 1 1/8" | 5/8" | 1 1/8" |
| 40 | 1 1/8" | 1 3/8" | 1 3/8" | 1 5/8" | 2 1/8" | 1 3/8" | 2 1/8" | 1 3/8" | 5/8" | 1 1/8" | 7/8" | 1 3/8" |
| 50 | 1 1/8" | 1 3/8" | 1 3/8" | 1 5/8" | 2 1/8" | 1 3/8" | 2 1/8" | 1 3/8" | 7/8" | 1 3/8" | 7/8" | 1 3/8" |
| 60 | 1 3/8" | 1 3/8" | 1 5/8" | 1 5/8" | 2 1/8" | 1 3/8" | 2 5/8" | 1 5/8" | 7/8" | 1 3/8" | 7/8" | 1 3/8" |
| 80 | 1 3/8" | 1 5/8" | 2 1/8" | 2 1/8" | 2 5/8" | 1 5/8" | 2 5/8" | 1 5/8" | 7/8" | 1 3/8" | 1 1/8" | 1 5/8" |

NOTES:

1. Based on Standard GPM Circuiting.
2. For other selections, please refer to the ENVIRO-TEC® Coil Selection Program.
3. All dimensional data is outside diameter (O.D.) measured in inches.

Standard Fan, 60 Hz Motor

| UNIT SIZE | FAN | ACTUAL CFM | 0.6" TSP | | | 0.8" TSP | | | 1.0" TSP | | | 1.2" TSP | | | 1.4" TSP | | |
|-----------|------------|------------|----------|------|-------|----------|------|-------|----------|------|-------|----------|------|-------|----------|------|-------|
| | | | RPM | BHP | DRIVE | RPM | BHP | DRIVE | RPM | BHP | DRIVE | RPM | BHP | DRIVE | RPM | BHP | DRIVE |
| 8 | 0906R | 600 | 895 | 0.15 | A14 | 1020 | 0.17 | A15 | 1150 | 0.22 | A17 | 1275 | 0.27 | A18 | 1380 | 0.33 | A19 |
| | | 700 | 900 | 0.16 | A14 | 1025 | 0.21 | A16 | 1145 | 0.26 | A17 | 1260 | 0.31 | A18 | 1370 | 0.36 | B19 |
| | | 800 | 905 | 0.20 | A14 | 1035 | 0.24 | A16 | 1155 | 0.30 | A17 | 1265 | 0.34 | B18 | 1350 | 0.42 | B18 |
| | | 900 | 935 | 0.23 | A14 | 1050 | 0.27 | A16 | 1165 | 0.33 | A17 | 1270 | 0.43 | B18 | 1360 | 0.47 | B18 |
| 12 | 0909R | 900 | 880 | 0.18 | A14 | 1005 | 0.24 | A15 | 1130 | 0.29 | A17 | 1250 | 0.34 | B18 | 1370 | 0.43 | B19 |
| | | 1000 | 890 | 0.20 | A14 | 1000 | 0.26 | A15 | 1120 | 0.31 | A17 | 1240 | 0.36 | B18 | 1350 | 0.47 | B18 |
| | | 1100 | 895 | 0.23 | A14 | 1005 | 0.28 | A15 | 1115 | 0.34 | B16 | 1230 | 0.42 | B18 | 1340 | 0.50 | B18 |
| | | 1200 | 900 | 0.25 | A14 | 1010 | 0.32 | A15 | 1115 | 0.38 | B16 | 1220 | 0.47 | B17 | 1325 | 0.53 | C18 |
| | | 1300 | 905 | 0.29 | A14 | 1015 | 0.35 | B15 | 1120 | 0.43 | B17 | 1220 | 0.50 | B17 | 1320 | 0.59 | C18 |
| 1400 | 915 | 0.33 | A14 | 1020 | 0.40 | B15 | 1130 | 0.48 | B17 | 1230 | 0.54 | C18 | 1320 | 0.65 | C18 | | |
| 16 | 1008R | 1400 | 790 | 0.32 | A12 | 885 | 0.38 | B14 | 980 | 0.47 | B15 | 1065 | 0.52 | C16 | 1135 | 0.61 | C17 |
| | | 1500 | 800 | 0.36 | B12 | 895 | 0.46 | B14 | 985 | 0.51 | C15 | 1070 | 0.58 | C16 | 1140 | 0.69 | C17 |
| | | 1600 | 810 | 0.42 | B12 | 900 | 0.49 | B14 | 990 | 0.55 | C15 | 1080 | 0.65 | C16 | 1145 | 0.74 | C17 |
| | | 1700 | 825 | 0.48 | B13 | 910 | 0.53 | C14 | 1000 | 0.62 | C15 | 1085 | 0.72 | C16 | 1155 | 0.79 | D17 |
| | | 1800 | 850 | 0.53 | C13 | 925 | 0.61 | C14 | 1005 | 0.70 | C15 | 1090 | 0.76 | D16 | 1165 | 0.86 | D17 |
| 20 | 1010R | 1800 | 805 | 0.38 | B12 | 900 | 0.49 | B14 | 990 | 0.55 | C15 | 1080 | 0.69 | C16 | 1155 | 0.76 | D17 |
| | | 1900 | 825 | 0.46 | B13 | 910 | 0.51 | C14 | 995 | 0.64 | C15 | 1085 | 0.74 | C16 | 1160 | 0.82 | D17 |
| | | 2000 | 840 | 0.50 | B13 | 920 | 0.55 | C14 | 1005 | 0.70 | C15 | 1090 | 0.79 | D16 | 1170 | 0.91 | D17 |
| | | 2100 | 860 | 0.54 | C13 | 930 | 0.66 | C14 | 1010 | 0.75 | C15 | 1095 | 0.86 | D16 | 1175 | 0.98 | D17 |
| | | 2200 | 880 | 0.61 | C14 | 955 | 0.74 | C15 | 1020 | 0.81 | D15 | 1100 | 0.94 | D16 | 1180 | 1.15 | E17 |
| | | 2300 | 895 | 0.71 | C14 | 975 | 0.78 | D15 | 1030 | 0.91 | D16 | 1110 | 1.00 | D16 | 1185 | 1.12 | E17 |
| 2400 | 910 | 0.76 | D14 | 990 | 0.91 | D15 | 1065 | 0.97 | D16 | 1125 | 1.10 | E17 | 1195 | 1.20 | E17 | | |
| 25 | 1509R | 2400 | 550 | 0.50 | C05 | 620 | 0.60 | C08 | 685 | 0.71 | C10 | 750 | 0.83 | D11 | 810 | 0.96 | D12 |
| | | 2600 | 570 | 0.56 | C06 | 630 | 0.69 | C08 | 695 | 0.80 | D10 | 755 | 0.94 | D11 | 810 | 1.08 | E12 |
| | | 2800 | 580 | 0.66 | C06 | 640 | 0.75 | C08 | 700 | 0.90 | D10 | 760 | 1.05 | E11 | 815 | 1.20 | E12 |
| | | 3000 | 600 | 0.75 | C07 | 655 | 0.88 | D09 | 710 | 1.00 | D10 | 765 | 1.18 | E11 | 820 | 1.35 | E13 |
| 30 | 1511R | 2800 | 565 | 0.60 | C06 | 625 | 0.71 | C08 | 690 | 0.85 | D10 | 750 | 0.99 | D11 | 810 | 1.15 | E12 |
| | | 3000 | 575 | 0.69 | C06 | 635 | 0.81 | D08 | 700 | 0.95 | D10 | 755 | 1.10 | E11 | 810 | 1.25 | E12 |
| | | 3200 | 585 | 0.79 | D07 | 650 | 0.91 | D09 | 705 | 1.05 | E10 | 760 | 1.20 | E11 | 815 | 1.38 | E12 |
| | | 3400 | 600 | 0.87 | D07 | 660 | 1.00 | D09 | 715 | 1.18 | E10 | 770 | 1.33 | E12 | 820 | 1.48 | E13 |
| | | 3600 | 615 | 0.97 | D07 | 670 | 1.13 | E09 | 725 | 1.30 | E11 | 780 | 1.43 | E12 | 825 | 1.63 | F20 |
| 40 | 1515R | 3500 | 585 | 0.85 | D07 | 655 | 1.01 | E09 | 720 | 1.20 | E10 | 785 | 1.38 | E12 | 845 | 1.55 | F20 |
| | | 3800 | 600 | 0.97 | D07 | 665 | 1.15 | E09 | 725 | 1.33 | E11 | 790 | 1.51 | F55 | 850 | 1.73 | F21 |
| | | 4100 | 615 | 1.13 | E07 | 675 | 1.33 | E09 | 740 | 1.50 | E11 | 795 | 1.70 | F55 | 855 | 1.92 | F21 |
| | | 4400 | 625 | 1.37 | E08 | 690 | 1.49 | E10 | 750 | 1.70 | F55 | 810 | 1.92 | F20 | 865 | 2.15 | G36 |
| | | 4700 | 650 | 1.48 | E09 | 710 | 1.68 | F53 | 765 | 1.90 | F55 | 820 | 2.15 | G35 | 875 | 2.43 | G36 |
| 5000 | 670 | 1.68 | F53 | 725 | 1.90 | F55 | 780 | 2.15 | G35 | 830 | 2.40 | G35 | 880 | 2.70 | G36 | | |
| 50 | DUAL 1509R | 4800 | 550 | 0.98 | D05 | 620 | 1.23 | E08 | 685 | 1.40 | E10 | 750 | 1.65 | F55 | 810 | 1.93 | F20 |
| | | 5100 | 565 | 1.10 | E06 | 625 | 1.32 | E08 | 690 | 1.51 | F53 | 750 | 1.80 | F55 | 810 | 2.10 | G35 |
| | | 5400 | 575 | 1.24 | E06 | 635 | 1.45 | E08 | 700 | 1.68 | F53 | 755 | 1.98 | F55 | 815 | 2.26 | G35 |
| | | 5700 | 585 | 1.38 | E07 | 645 | 1.60 | F51 | 705 | 1.88 | F53 | 760 | 2.15 | G34 | 815 | 2.47 | G35 |
| | | 6000 | 600 | 1.50 | E07 | 655 | 1.75 | F53 | 710 | 2.00 | F53 | 765 | 2.35 | G34 | 820 | 2.70 | G35 |
| 60 | DUAL 1511R | 5600 | 565 | 1.20 | E06 | 625 | 1.42 | E08 | 690 | 1.70 | F53 | 750 | 1.98 | F55 | 810 | 2.30 | G35 |
| | | 6000 | 575 | 1.38 | E06 | 635 | 1.62 | F51 | 700 | 1.90 | F53 | 755 | 2.20 | G34 | 810 | 2.50 | G35 |
| | | 6400 | 585 | 1.58 | F51 | 650 | 1.82 | F51 | 705 | 2.10 | G33 | 760 | 2.40 | G34 | 815 | 2.76 | G35 |
| | | 6800 | 600 | 1.74 | F51 | 660 | 2.00 | F53 | 715 | 2.36 | G33 | 770 | 2.66 | G34 | 820 | 2.96 | G35 |
| | | 7200 | 615 | 1.94 | F51 | 670 | 2.26 | G33 | 725 | 2.60 | G34 | 780 | 2.86 | G35 | 825 | 3.26 | H35 |
| 80 | DUAL 1515R | 7000 | 585 | 1.70 | F51 | 655 | 2.08 | G32 | 720 | 2.40 | G34 | 780 | 2.75 | G35 | 855 | 3.10 | H36 |
| | | 7500 | 600 | 1.88 | F51 | 665 | 2.25 | G33 | 725 | 2.60 | G34 | 785 | 2.96 | G35 | 850 | 3.35 | H35 |
| | | 8000 | 610 | 2.15 | G31 | 675 | 2.55 | G33 | 735 | 2.85 | G34 | 790 | 3.25 | H35 | 850 | 3.75 | H35 |
| | | 8500 | 625 | 2.40 | G32 | 690 | 2.80 | G33 | 740 | 3.20 | H34 | 800 | 3.65 | H35 | 855 | 4.10 | H36 |
| | | 9000 | 635 | 2.70 | G32 | 700 | 3.10 | H33 | 755 | 3.50 | H34 | 810 | 3.96 | H35 | 865 | 4.50 | H36 |
| | | 9500 | 655 | 3.00 | G32 | 710 | 3.45 | H33 | 765 | 3.90 | H34 | 820 | 4.40 | H35 | 875 | 4.90 | H36 |
| 10000 | 670 | 3.35 | H33 | 725 | 3.80 | H34 | 780 | 4.30 | H35 | 830 | 4.80 | H35 | 880 | 5.30 | J44 | | |

NOTES:

1. Motor voltage code omitted for clarity. First letter under drive is suggested motor horsepower code.
2. Consult factory for applications at operating conditions not shown above.
3. Fan motor voltage, fan rotation, and fan RPM may require field setting.
4. See separate Belt Drive Fan Curve Catalog (I.D. CAT-CURVES-BD).

Standard Fan, 60 Hz Motor

| UNIT SIZE | FAN | ACTUAL CFM | 1.6" TSP | | | 1.8" TSP | | | 2.0" TSP | | | 2.2" TSP | | | 2.4" TSP | | |
|-----------|------------|------------|----------|------|-------|----------|------|-------|----------|------|-------|----------|------|-------|----------|------|-------|
| | | | RPM | BHP | DRIVE | RPM | BHP | DRIVE | RPM | BHP | DRIVE | RPM | BHP | DRIVE | RPM | BHP | DRIVE |
| 08 | 0906R | 600 | 1480 | 0.38 | B19 | 1570 | 0.46 | B19 | | | | | | | | | |
| | | 700 | 1460 | 0.43 | B19 | 1550 | 0.49 | B19 | | | | | | | | | |
| | | 800 | 1445 | 0.48 | B19 | 1545 | 0.54 | C19 | | | | | | | | | |
| | | 900 | 1440 | 0.51 | C19 | 1530 | 0.60 | C19 | | | | | | | | | |
| 12 | 0909R | 900 | 1460 | 0.49 | B19 | 1545 | 0.55 | C19 | | | | | | | | | |
| | | 1000 | 1440 | 0.53 | C19 | 1525 | 0.61 | C19 | | | | | | | | | |
| | | 1100 | 1425 | 0.58 | C19 | 1515 | 0.66 | C19 | | | | | | | | | |
| | | 1200 | 1420 | 0.63 | C19 | 1510 | 0.71 | C19 | | | | | | | | | |
| | | 1300 | 1415 | 0.66 | C19 | 1505 | 0.75 | C19 | | | | | | | | | |
| | | 1400 | 1410 | 0.73 | C19 | 1500 | 0.79 | D19 | | | | | | | | | |
| 16 | 1008R | 1400 | 1210 | 0.71 | C17 | 1295 | 0.76 | D18 | | | | | | | | | |
| | | 1500 | 1210 | 0.75 | C17 | 1290 | 0.82 | D18 | | | | | | | | | |
| | | 1600 | 1215 | 0.79 | D17 | 1295 | 0.91 | D18 | | | | | | | | | |
| | | 1700 | 1220 | 0.88 | D17 | 1295 | 0.98 | D18 | | | | | | | | | |
| | | 1800 | 1225 | 0.97 | D17 | 1300 | 1.10 | E18 | | | | | | | | | |
| 20 | 1010R | 1800 | 1220 | 0.86 | D17 | 1305 | 0.98 | D18 | 1380 | 1.08 | E19 | 1445 | 1.18 | E19 | 1515 | 1.30 | E19 |
| | | 1900 | 1225 | 0.95 | D17 | 1300 | 1.01 | E18 | 1375 | 1.18 | E19 | 1440 | 1.25 | E19 | 1510 | 1.38 | E19 |
| | | 2000 | 1230 | 1.00 | D18 | 1300 | 1.10 | E18 | 1380 | 1.23 | E19 | 1435 | 1.33 | E19 | 1510 | 1.43 | E19 |
| | | 2100 | 1235 | 1.08 | E18 | 1305 | 1.15 | E18 | 1380 | 1.28 | E19 | 1440 | 1.38 | E19 | 1505 | 1.51 | F28 |
| | | 2200 | 1240 | 1.13 | E18 | 1305 | 1.25 | E18 | 1385 | 1.35 | E19 | 1440 | 1.45 | E19 | 1500 | 1.58 | F28 |
| | | 2300 | 1250 | 1.20 | E18 | 1310 | 1.33 | E18 | 1385 | 1.40 | E19 | 1445 | 1.55 | F28 | 1505 | 1.68 | F28 |
| | | 2400 | 1260 | 1.30 | E18 | 1315 | 1.40 | E18 | 1390 | 1.50 | E19 | 1450 | 1.63 | F28 | 1510 | 1.77 | F28 |
| 25 | 1509R | 2400 | 865 | 1.10 | E13 | 920 | 1.28 | E14 | 975 | 1.40 | E15 | 1025 | 1.55 | F23 | 1075 | 1.73 | F24 |
| | | 2600 | 865 | 1.25 | E13 | 915 | 1.40 | E14 | 970 | 1.55 | F23 | 1020 | 1.70 | F23 | 1070 | 1.85 | F24 |
| | | 2800 | 870 | 1.38 | E13 | 920 | 1.50 | E14 | 965 | 1.68 | F23 | 1015 | 1.83 | F23 | 1065 | 1.95 | F24 |
| | | 3000 | 870 | 1.48 | E13 | 920 | 1.65 | F22 | 965 | 1.80 | F23 | 1020 | 1.95 | F23 | 1060 | 2.15 | G38 |
| 30 | 1511R | 2800 | 860 | 1.30 | E13 | 920 | 1.47 | E14 | 975 | 1.63 | F23 | 1020 | 1.80 | F23 | 1070 | 1.93 | F24 |
| | | 3000 | 860 | 1.40 | E13 | 915 | 1.56 | F22 | 965 | 1.74 | F23 | 1015 | 1.90 | F23 | 1065 | 2.10 | G38 |
| | | 3200 | 865 | 1.51 | F21 | 915 | 1.70 | F22 | 960 | 1.85 | F22 | 1010 | 2.05 | G37 | 1060 | 2.25 | G38 |
| | | 3400 | 870 | 1.65 | F21 | 920 | 1.85 | F22 | 965 | 2.00 | F23 | 1010 | 2.25 | G37 | 1060 | 2.45 | G38 |
| | | 3600 | 875 | 1.80 | F21 | 925 | 1.98 | F22 | 970 | 2.15 | G37 | 1015 | 2.40 | G37 | 1055 | 2.60 | G37 |
| 40 | 1515R | 3500 | 905 | 1.75 | F22 | 960 | 1.95 | F22 | 1020 | 2.20 | G37 | 1070 | 2.40 | G38 | 1120 | 2.70 | G38 |
| | | 3800 | 905 | 1.95 | F22 | 955 | 2.15 | G37 | 1010 | 2.40 | G37 | 1065 | 2.65 | G38 | 1115 | 2.88 | G38 |
| | | 4100 | 910 | 2.15 | G36 | 960 | 2.40 | G37 | 1005 | 2.65 | G37 | 1060 | 2.85 | G38 | 1110 | 3.14 | H38 |
| | | 4400 | 915 | 2.35 | G36 | 960 | 2.60 | G37 | 1005 | 2.85 | G37 | 1055 | 3.16 | H37 | 1105 | 3.40 | H38 |
| | | 4700 | 920 | 2.67 | G36 | 965 | 2.85 | G37 | 1010 | 3.20 | H37 | 1055 | 3.40 | H37 | 1100 | 3.70 | H38 |
| | | 5000 | 925 | 2.88 | G36 | 970 | 3.14 | H37 | 1015 | 3.40 | H37 | 1060 | 3.70 | H38 | 1105 | 4.00 | H38 |
| 50 | DUAL 1509R | 4800 | 870 | 2.25 | G36 | 920 | 2.55 | G36 | 975 | 2.83 | G37 | 1025 | 3.10 | H37 | 1075 | 3.43 | H38 |
| | | 5100 | 865 | 2.44 | G36 | 915 | 2.70 | G36 | 970 | 2.99 | G37 | 1020 | 3.32 | H37 | 1070 | 3.65 | H38 |
| | | 5400 | 860 | 2.60 | G36 | 915 | 2.88 | G36 | 970 | 3.15 | H37 | 1020 | 3.50 | H37 | 1065 | 3.80 | H38 |
| | | 5700 | 860 | 2.78 | G36 | 915 | 3.15 | H36 | 965 | 3.40 | H37 | 1015 | 3.70 | H37 | 1065 | 4.00 | H38 |
| | | 6000 | 865 | 2.96 | G36 | 920 | 3.60 | H36 | 965 | 3.60 | H37 | 1015 | 3.95 | H37 | 1060 | 4.30 | H38 |
| 60 | DUAL 1511R | 5600 | 860 | 2.60 | G36 | 920 | 2.94 | G36 | 975 | 3.26 | H37 | 1020 | 3.60 | H37 | 1070 | 3.86 | H38 |
| | | 6000 | 860 | 2.80 | G36 | 915 | 3.10 | H36 | 965 | 3.48 | H37 | 1015 | 3.80 | H37 | 1065 | 4.20 | H38 |
| | | 6400 | 865 | 3.02 | H36 | 915 | 3.40 | H36 | 960 | 3.70 | H37 | 1010 | 4.10 | H37 | 1060 | 4.50 | H38 |
| | | 6800 | 870 | 3.30 | H36 | 920 | 3.70 | H36 | 965 | 4.00 | H37 | 1010 | 4.50 | H37 | 1060 | 4.90 | H38 |
| | | 7200 | 875 | 3.60 | H36 | 925 | 3.96 | H36 | 970 | 4.30 | H37 | 1015 | 4.80 | H37 | 1055 | 5.20 | J45 |
| 80 | DUAL 1515R | 7000 | 900 | 3.50 | H36 | 960 | 3.98 | H37 | 1015 | 4.36 | H37 | 1070 | 4.92 | H38 | 1125 | 5.44 | J46 |
| | | 7500 | 900 | 3.80 | H36 | 955 | 4.24 | H37 | 1010 | 4.72 | H37 | 1065 | 5.24 | J45 | 1115 | 5.70 | J46 |
| | | 8000 | 905 | 4.16 | H36 | 955 | 4.70 | H37 | 1005 | 5.20 | J45 | 1060 | 5.58 | J45 | 1110 | 6.10 | J45 |
| | | 8500 | 910 | 4.54 | H36 | 960 | 5.06 | J45 | 1005 | 5.56 | J45 | 1055 | 6.00 | J45 | 1105 | 6.60 | J45 |
| | | 9000 | 915 | 4.94 | H36 | 965 | 5.40 | J45 | 1010 | 5.95 | J45 | 1055 | 6.48 | J45 | 1100 | 7.08 | J45 |
| | | 9500 | 920 | 5.40 | J44 | 970 | 5.80 | J45 | 1015 | 6.40 | J45 | 1060 | 7.00 | J45 | 1100 | 7.52 | K45 |
| 10000 | 925 | 5.74 | J44 | 975 | 6.28 | J45 | 1020 | 6.92 | J45 | 1065 | 7.50 | J45 | 1105 | 8.00 | K45 | | |

NOTES:

1. Motor voltage code omitted for clarity. First letter under drive is suggested motor horsepower code.
2. Consult factory for applications at operating conditions not shown above.
3. Fan motor voltage, fan rotation, and fan RPM may require field setting.
4. See separate Belt Drive Fan Curve Catalog (I.D. CAT-CURVES-BD).

Alternate Fan, 60 Hz Motor

| UNIT SIZE | FAN | ACTUAL CFM | 0.6" TSP | | | 0.8" TSP | | | 1.0" TSP | | | 1.2" TSP | | | 1.4" TSP | | |
|-----------|------------|------------|----------|------|-------|----------|------|-------|----------|------|-------|----------|------|-------|----------|------|-------|
| | | | RPM | BHP | DRIVE | RPM | BHP | DRIVE | RPM | BHP | DRIVE | RPM | BHP | DRIVE | RPM | BHP | DRIVE |
| 08R | 0904T | 600 | 1020 | 0.18 | A15 | 1150 | 0.21 | A16 | 1290 | 0.26 | A17 | 1398 | 0.31 | A18 | 1500 | 0.38 | B19 |
| | | 700 | 1075 | 0.21 | A16 | 1195 | 0.26 | A17 | 1305 | 0.33 | A18 | 1410 | 0.4 | B19 | 1510 | 0.43 | B19 |
| | | 800 | 1110 | 0.27 | A16 | 1225 | 0.35 | A17 | 1325 | 0.39 | A18 | 1430 | 0.43 | B19 | 1530 | 0.55 | C19 |
| | | 900 | 1160 | 0.35 | A16 | 1275 | 0.4 | A17 | 1380 | 0.47 | A18 | 1470 | 0.55 | C19 | 1565 | 0.61 | C19 |
| 12R | 0906R | 900 | 930 | 0.21 | A22 | 1050 | 0.27 | A24 | 1150 | 0.33 | A25 | 1250 | 0.40 | B26 | 1350 | 0.46 | B27 |
| | | 1000 | 960 | 0.27 | A22 | 1075 | 0.32 | A24 | 1175 | 0.40 | B25 | 1275 | 0.43 | B26 | 1370 | 0.52 | C27 |
| | | 1100 | 1000 | 0.32 | A23 | 1100 | 0.38 | B24 | 1190 | 0.46 | B25 | 1290 | 0.52 | C26 | 1380 | 0.60 | C27 |
| | | 1200 | 1025 | 0.40 | B23 | 1125 | 0.46 | B25 | 1210 | 0.52 | C26 | 1310 | 0.60 | C27 | 1390 | 0.67 | C27 |
| | | 1300 | 1075 | 0.47 | B24 | 1170 | 0.53 | C25 | 1250 | 0.62 | C26 | 1325 | 0.69 | C27 | 1410 | 0.77 | D27 |
| 16R | 0906R | 1400 | 1110 | 0.54 | C25 | 1200 | 0.60 | C25 | 1285 | 0.69 | C26 | 1365 | 0.75 | C27 | 1435 | 0.83 | D27 |
| | | 1500 | 1150 | 0.63 | C25 | 1230 | 0.73 | C26 | 1310 | 0.79 | D27 | 1390 | 0.88 | D27 | 1475 | 0.94 | D28 |
| | | 1600 | 1200 | 0.75 | C25 | 1280 | 0.83 | D26 | 1350 | 0.88 | D27 | 1410 | 0.98 | D27 | 1490 | 1.05 | E28 |
| | | 1700 | 1250 | 0.88 | D26 | 1320 | 0.98 | D27 | 1390 | 1.03 | E27 | 1475 | 1.13 | E28 | 1525 | 1.25 | E28 |
| | | 1800 | 1295 | 1.00 | D26 | 1360 | 1.08 | E27 | 1430 | 1.20 | E27 | 1500 | 1.25 | E28 | 1575 | 1.33 | E28 |
| 20R | 0909R | 1800 | 1000 | 0.52 | C23 | 1095 | 0.60 | C24 | 1190 | 0.70 | C25 | 1280 | 0.77 | D26 | 1360 | 0.88 | D27 |
| | | 1900 | 1020 | 0.60 | C23 | 1110 | 0.65 | C25 | 1205 | 0.76 | D26 | 1290 | 0.86 | D26 | 1375 | 0.96 | D27 |
| | | 2000 | 1050 | 0.65 | C24 | 1140 | 0.75 | C25 | 1225 | 0.85 | D26 | 1310 | 0.95 | D27 | 1385 | 1.05 | E27 |
| | | 2100 | 1090 | 0.75 | C24 | 1160 | 0.83 | D25 | 1250 | 0.93 | D26 | 1325 | 1.05 | E27 | 1400 | 1.18 | E27 |
| | | 2200 | 1100 | 0.81 | D24 | 1180 | 0.90 | D25 | 1275 | 1.03 | E26 | 1350 | 1.10 | E27 | 1410 | 1.25 | E27 |
| | | 2300 | 1125 | 0.91 | D25 | 1210 | 0.96 | D26 | 1290 | 1.13 | E26 | 1375 | 1.23 | E27 | 1440 | 1.30 | E28 |
| 25R | 0909R | 2400 | 1150 | 1.03 | E25 | 1230 | 1.08 | E26 | 1310 | 1.20 | E27 | 1390 | 1.30 | E27 | 1460 | 1.40 | E28 |
| | | 2600 | 1205 | 1.25 | E26 | 1290 | 1.33 | E26 | 1365 | 1.40 | E27 | 1425 | 1.53 | F27 | 1495 | 1.65 | F28 |
| | | 2800 | 1275 | 1.49 | E26 | 1340 | 1.63 | F27 | 1405 | 1.70 | F27 | 1475 | 1.80 | F28 | 1525 | 1.90 | F28 |
| | | 3000 | 1330 | 1.80 | F27 | 1400 | 1.90 | F27 | 1460 | 1.99 | F39a | 1515 | 2.15 | G39a | 1580 | 2.25 | G39a |
| 30R | 1010R | 2800 | 990 | 1.03 | E23 | 1050 | 1.20 | E24 | 1110 | 1.30 | E25 | 1175 | 1.40 | E25 | 1250 | 1.53 | F26 |
| | | 3000 | 1030 | 1.30 | E24 | 1095 | 1.40 | E24 | 1160 | 1.50 | E25 | 1210 | 1.60 | F26 | 1275 | 1.75 | F26 |
| | | 3200 | 1085 | 1.53 | F24 | 1130 | 1.60 | F25 | 1195 | 1.73 | F25 | 1255 | 1.88 | F26 | 1310 | 2.05 | G39 |
| | | 3400 | 1125 | 1.75 | F25 | 1180 | 1.88 | F25 | 1230 | 2.00 | F26 | 1290 | 2.15 | G39 | 1350 | 2.30 | G39 |
| | | 3600 | 1180 | 2.05 | G38 | 1215 | 2.15 | G38 | 1280 | 2.30 | G39 | 1325 | 2.50 | G39 | 1375 | 2.60 | G39 |
| 40R | 1509R | 3500 | 640 | 1.05 | E51 | 690 | 1.23 | E53 | 740 | 1.40 | E55 | 790 | 1.55 | F55 | 835 | 1.72 | F20 |
| | | 3800 | 670 | 1.35 | E53 | 715 | 1.50 | E53 | 765 | 1.65 | F55 | 810 | 1.80 | F20 | 855 | 1.98 | F21 |
| | | 4100 | 700 | 1.63 | F53 | 745 | 1.80 | F55 | 790 | 1.95 | F55 | 830 | 2.10 | G35 | 875 | 2.30 | G36 |
| | | 4400 | 730 | 1.95 | F55 | 770 | 2.10 | G34 | 815 | 2.28 | G35 | 855 | 2.47 | G36 | 900 | 2.60 | G36 |
| | | 4700 | 765 | 2.33 | G34 | 800 | 2.50 | G35 | 840 | 2.70 | G35 | 880 | 2.85 | G36 | 920 | 3.00 | G36 |
| 50R | 1515R | 5000 | 795 | 2.72 | G35 | 835 | 2.85 | G35 | 870 | 3.05 | H36 | 910 | 3.35 | H36 | 940 | 3.45 | H36 |
| | | 4800 | 660 | 1.58 | F53 | 720 | 1.75 | F53 | 770 | 1.95 | F55 | 820 | 2.25 | G35 | 875 | 2.50 | G36 |
| | | 5100 | 680 | 1.75 | F53 | 740 | 1.98 | F55 | 780 | 2.25 | G35 | 830 | 2.40 | G35 | 880 | 2.65 | G36 |
| | | 5400 | 700 | 1.99 | F53 | 750 | 2.30 | G34 | 805 | 2.55 | G35 | 850 | 2.75 | G35 | 895 | 2.99 | G36 |
| | | 5700 | 720 | 2.25 | G34 | 770 | 2.55 | G34 | 825 | 2.80 | G35 | 865 | 3.05 | H36 | 910 | 3.30 | H36 |
| 60R | 1515R | 6000 | 750 | 2.75 | G34 | 790 | 2.90 | G35 | 840 | 3.10 | H35 | 880 | 3.25 | H36 | 940 | 3.40 | H36 |
| | | 5600 | 710 | 2.10 | G33 | 760 | 2.50 | G34 | 810 | 2.75 | G35 | 860 | 2.99 | G36 | 905 | 3.15 | H36 |
| | | 6000 | 745 | 2.60 | G34 | 795 | 2.95 | G35 | 840 | 3.10 | H35 | 890 | 3.30 | H36 | 925 | 3.40 | H36 |
| | | 6400 | 780 | 3.10 | H35 | 815 | 3.30 | H35 | 860 | 3.40 | H36 | 905 | 3.55 | H36 | 950 | 3.60 | H37 |
| | | 6800 | 805 | 3.40 | H35 | 850 | 3.60 | H35 | 895 | 3.70 | H36 | 940 | 3.80 | H36 | 980 | 3.98 | H37 |
| 80R | DUAL 1511R | 7200 | 845 | 3.75 | H35 | 885 | 3.80 | H36 | 915 | 5.00 | H36 | 960 | 5.10 | J45 | 1005 | 5.25 | J45 |
| | | 7000 | 610 | 1.85 | F51 | 670 | 2.10 | G33 | 720 | 2.44 | G34 | 775 | 2.70 | G34 | 825 | 3.06 | H35 |
| | | 7500 | 625 | 2.15 | G32 | 685 | 2.50 | G33 | 735 | 2.75 | G34 | 785 | 3.10 | H35 | 835 | 3.44 | H35 |
| | | 8000 | 650 | 2.50 | G32 | 700 | 2.82 | G33 | 750 | 3.14 | H34 | 800 | 3.50 | H35 | 845 | 3.90 | H35 |
| | | 8500 | 670 | 2.90 | G33 | 720 | 3.20 | H34 | 765 | 3.56 | H34 | 815 | 3.96 | H35 | 860 | 4.40 | H36 |
| | | 9000 | 690 | 3.15 | H33 | 740 | 3.70 | H34 | 785 | 4.04 | H35 | 830 | 4.46 | H35 | 875 | 4.90 | H36 |
| 9500 | 710 | 3.80 | H33 | 760 | 4.20 | H34 | 805 | 4.50 | H35 | 850 | 5.05 | J44 | 890 | 5.36 | J44 | | |
| | | 735 | 4.26 | H34 | 780 | 4.70 | H35 | 820 | 5.10 | J44 | 865 | 5.56 | J44 | 905 | 5.84 | J44 | |

NOTES:

1. Motor voltage code omitted for clarity. First letter under drive is suggested motor horsepower code.
2. Consult factory for applications at operating conditions not shown above.
3. Fan motor voltage, fan rotation, and fan RPM may require field setting.
4. See separate Belt Drive Fan Curve Catalog (I.D. CAT-CURVES-BD).

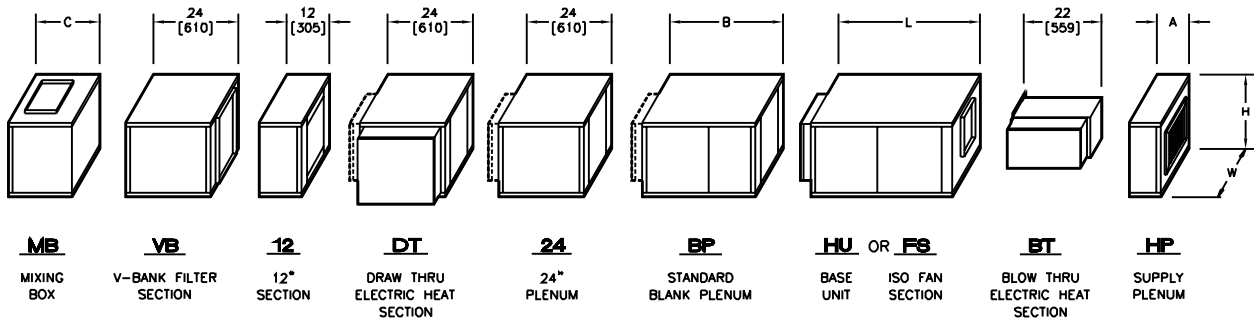
Alternate Fan, 60 Hz Motor

| UNIT SIZE | FAN | ACTUAL CFM | 1.6" TSP | | | 1.8" TSP | | | 2.0" TSP | | | 2.2" TSP | | | 2.4" TSP | | |
|-----------|------------|------------|----------|------|-------|----------|------|-------|----------|------|-------|----------|------|-------|----------|------|-------|
| | | | RPM | BHP | DRIVE | RPM | BHP | DRIVE | RPM | BHP | DRIVE | RPM | BHP | DRIVE | RPM | BHP | DRIVE |
| 08R | 0904T | 600 | 1600 | 0.43 | B28 | 1695 | 0.55 | C28 | 1780 | 0.59 | C29 | 1860 | 0.63 | C60 | 1930 | 0.69 | C60 |
| | | 700 | 1610 | 0.55 | C28 | 1705 | 0.59 | C29 | 1795 | 0.69 | C29 | 1875 | 0.74 | C60 | 1950 | 0.8 | D60 |
| | | 800 | 1630 | 0.6 | C28 | 1715 | 0.66 | C29 | 1805 | 0.78 | D29 | 1895 | 0.8 | D60 | 1975 | 0.86 | D60 |
| | | 900 | 1655 | 0.69 | C29 | 1740 | 0.8 | D29 | 1815 | 0.85 | D29 | 1905 | 0.9 | D60 | 1990 | 0.99 | D60 |
| 12R | 0906R | 900 | 1450 | 0.53 | C28 | 1520 | 0.60 | C28 | 1615 | 0.66 | C29 | 1700 | 0.75 | C29 | 1780 | 0.81 | D29 |
| | | 1000 | 1460 | 0.58 | C28 | 1525 | 0.65 | C28 | 1610 | 0.73 | C29 | 1695 | 0.81 | D29 | 1775 | 0.88 | D29 |
| | | 1100 | 1470 | 0.64 | C28 | 1530 | 0.73 | C28 | 1615 | 0.81 | D29 | 1705 | 0.88 | D29 | 1775 | 0.98 | D29 |
| | | 1200 | 1480 | 0.73 | C28 | 1550 | 0.81 | D28 | 1625 | 0.88 | D29 | 1710 | 0.98 | D29 | 1780 | 1.08 | E29 |
| | | 1300 | 1490 | 0.81 | D28 | 1575 | 0.90 | D28 | 1640 | 0.98 | D29 | 1715 | 1.08 | E29 | 1790 | 1.15 | E29 |
| 16R | 0906R | 1400 | 1510 | 0.90 | D28 | 1590 | 0.98 | D28 | 1665 | 1.08 | E29 | 1730 | 1.15 | E29 | 1800 | 1.25 | E29 |
| | | 1500 | 1540 | 1.03 | E28 | 1610 | 1.13 | E29 | 1680 | 1.20 | E29 | 1750 | 1.25 | E29 | 1810 | 1.33 | E29 |
| | | 1600 | 1560 | 1.15 | E28 | 1625 | 1.25 | E29 | 1700 | 1.30 | E29 | 1775 | 1.38 | E29 | 1825 | 1.49 | E29 |
| | | 1700 | 1590 | 1.30 | E28 | 1660 | 1.38 | E29 | 1725 | 1.45 | E29 | 1790 | 1.53 | F29 | 1850 | 1.70 | F29 |
| | | 1800 | 1625 | 1.45 | E29 | 1690 | 1.53 | F29 | 1760 | 1.63 | F29 | 1810 | 1.70 | F29 | 1880 | 1.99 | F60 |
| 20R | 0909R | 1800 | 1440 | 0.98 | D28 | 1515 | 1.08 | E28 | 1600 | 1.20 | E28 | 1675 | 1.25 | E29 | 1740 | 1.38 | E29 |
| | | 1900 | 1450 | 1.08 | E28 | 1520 | 1.15 | E28 | 1605 | 1.25 | E29 | 1680 | 1.35 | E29 | 1745 | 1.48 | E29 |
| | | 2000 | 1470 | 1.10 | E28 | 1540 | 1.23 | E28 | 1610 | 1.30 | E29 | 1685 | 1.45 | E29 | 1750 | 1.55 | F29 |
| | | 2100 | 1480 | 1.25 | E28 | 1560 | 1.30 | E28 | 1615 | 1.45 | E29 | 1690 | 1.53 | F29 | 1760 | 1.65 | F29 |
| | | 2200 | 1490 | 1.30 | E28 | 1570 | 1.40 | E28 | 1625 | 1.53 | F29 | 1700 | 1.65 | F29 | 1770 | 1.75 | F29 |
| | | 2300 | 1510 | 1.40 | E28 | 1580 | 1.53 | F28 | 1650 | 1.70 | F29 | 1710 | 1.75 | F29 | 1780 | 1.95 | F29 |
| 25R | 0909R | 2400 | 1515 | 1.53 | F28 | 1595 | 1.68 | F28 | 1665 | 1.75 | F29 | 1725 | 1.88 | F29 | 1790 | 2.05 | G39b |
| | | 2600 | 1560 | 1.75 | F28 | 1625 | 1.88 | F29 | 1690 | 2.05 | G39b | 1760 | 2.25 | G39b | 1810 | 2.40 | G39b |
| | | 2800 | 1600 | 2.05 | G39b | 1675 | 2.25 | G39b | 1720 | 2.40 | G39b | 1785 | 2.50 | G39b | 1845 | 2.60 | G39b |
| | | 3000 | 1630 | 2.40 | G39b | 1700 | 2.50 | G39b | 1770 | 2.60 | G39b | 1770 | 2.75 | G39b | 1880 | 2.95 | G39b |
| 30R | 1010R | 2800 | 1300 | 1.63 | F26 | 1360 | 1.75 | F27 | 1420 | 1.88 | F27 | 1475 | 2.05 | G39a | 1525 | 2.15 | G39a |
| | | 3000 | 1330 | 1.88 | F27 | 1380 | 1.99 | F27 | 1440 | 2.15 | G39a | 1490 | 2.30 | G39a | 1540 | 2.40 | G39a |
| | | 3200 | 1365 | 2.15 | G39 | 1410 | 2.30 | G39a | 1460 | 2.40 | G39a | 1510 | 2.50 | G39a | 1570 | 2.60 | G39a |
| | | 3400 | 1390 | 2.50 | G39 | 1450 | 2.60 | G39a | 1490 | 2.75 | G39a | 1540 | 2.80 | G39a | 1590 | 2.95 | G39a |
| | | 3600 | 1425 | 2.75 | G39a | 1475 | 2.80 | G39a | 1520 | 2.95 | G39a | 1575 | 3.05 | H39a | 1615 | 3.20 | H39b |
| 40R | 1509R | 3500 | 885 | 1.85 | F21 | 930 | 2.05 | G36 | 980 | 2.20 | G37 | 1025 | 2.40 | G37 | 1065 | 2.58 | G38 |
| | | 3800 | 900 | 2.15 | G36 | 945 | 2.35 | G37 | 990 | 2.53 | G37 | 1035 | 2.65 | G37 | 1075 | 2.85 | G38 |
| | | 4100 | 920 | 2.45 | G36 | 960 | 2.60 | G37 | 1005 | 2.82 | G37 | 1045 | 2.98 | G37 | 1085 | 3.15 | H38 |
| | | 4400 | 935 | 2.80 | G36 | 980 | 3.00 | G37 | 1020 | 3.20 | H37 | 1060 | 3.20 | H38 | 1095 | 3.60 | H38 |
| | | 4700 | 960 | 3.18 | H37 | 995 | 3.43 | H37 | 1030 | 3.60 | H37 | 1075 | 3.80 | H38 | 1110 | 4.00 | H38 |
| | | 5000 | 980 | 3.68 | H37 | 1015 | 3.85 | H37 | 1050 | 4.00 | H37 | 1090 | 4.20 | H38 | 1120 | 4.43 | H38 |
| 50R | 1515R | 4800 | 920 | 2.70 | G36 | 965 | 2.95 | G37 | 1010 | 3.15 | H37 | 1060 | 3.25 | H38 | 1100 | 3.40 | H38 |
| | | 5100 | 940 | 2.98 | G36 | 975 | 3.20 | H37 | 1020 | 3.30 | H37 | 1065 | 3.40 | H38 | 1105 | 3.55 | H38 |
| | | 5400 | 945 | 3.25 | H37 | 980 | 3.40 | H37 | 1025 | 3.45 | H37 | 1075 | 3.55 | H38 | 1110 | 3.60 | H38 |
| | | 5700 | 960 | 3.45 | H37 | 1000 | 3.55 | H37 | 1040 | 3.65 | H37 | 1080 | 3.75 | H38 | 1115 | 3.85 | H38 |
| | | 6000 | 975 | 3.55 | H37 | 1005 | 3.65 | H37 | 1050 | 3.80 | H37 | 1090 | 3.90 | H38 | 1125 | 5.05 | J46 |
| 60R | 1515R | 5600 | 950 | 3.25 | H37 | 990 | 3.40 | H37 | 1030 | 3.50 | H37 | 1075 | 3.60 | H38 | 1110 | 3.75 | H38 |
| | | 6000 | 975 | 3.55 | H37 | 1010 | 3.65 | H37 | 1050 | 3.75 | H37 | 1090 | 3.90 | H38 | 1125 | 5.05 | J46 |
| | | 6400 | 990 | 3.80 | H37 | 1035 | 3.95 | H37 | 1075 | 5.05 | J45 | 1105 | 5.15 | J45 | 1145 | 5.30 | J46 |
| | | 6800 | 1005 | 5.05 | J45 | 1060 | 5.25 | J45 | 1080 | 5.45 | J45 | 1125 | 5.50 | J46 | 1160 | 5.60 | J46 |
| | | 7200 | 1045 | 5.45 | J45 | 1070 | 5.55 | J45 | 1105 | 5.60 | J45 | 1150 | 5.70 | J46 | 1180 | 5.80 | J46 |
| 80R | DUAL 1511R | 7000 | 875 | 3.42 | H36 | 925 | 3.80 | H36 | 970 | 4.20 | H37 | 1015 | 4.60 | H37 | 1060 | 5.00 | H38 |
| | | 7500 | 880 | 3.80 | H36 | 930 | 4.20 | H36 | 975 | 4.60 | H37 | 1020 | 5.10 | J45 | 1060 | 5.50 | J45 |
| | | 8000 | 890 | 4.30 | H36 | 935 | 4.70 | H36 | 980 | 5.14 | J45 | 1025 | 5.50 | J45 | 1065 | 6.00 | J45 |
| | | 8500 | 905 | 4.80 | H36 | 945 | 5.20 | J44 | 985 | 5.60 | J45 | 1030 | 6.05 | J45 | 1070 | 6.50 | J45 |
| | | 9000 | 920 | 5.30 | J44 | 960 | 5.70 | J45 | 995 | 6.16 | J45 | 1040 | 6.65 | J45 | 1080 | 7.10 | J45 |
| | | 9500 | 930 | 5.80 | J44 | 970 | 6.30 | J45 | 1010 | 6.80 | J45 | 1050 | 7.20 | J45 | 1085 | 7.60 | K45 |
| 10000 | 945 | 6.40 | J44 | 985 | 7.00 | J45 | 1025 | 7.40 | J45 | 1060 | 7.90 | K45 | 1095 | 8.40 | K45 | | |

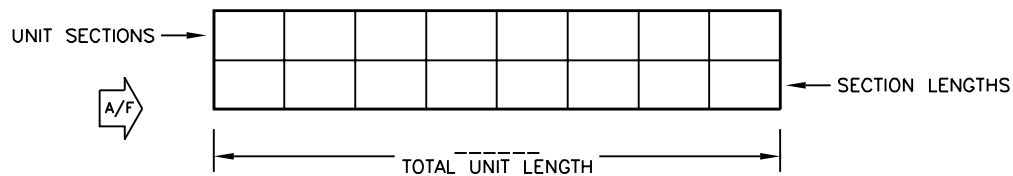
NOTES:

1. Motor voltage code omitted for clarity. First letter under drive is suggested motor horsepower code.
2. Consult factory for applications at operating conditions not shown above.
3. Fan motor voltage, fan rotation, and fan RPM may require field setting.
4. See separate Belt Drive Fan Curve Catalog (I.D. CAT-CURVES-BD).

Model H Series B



UNIT CONFIGURATION (IN DIRECTION OF AIRFLOW)



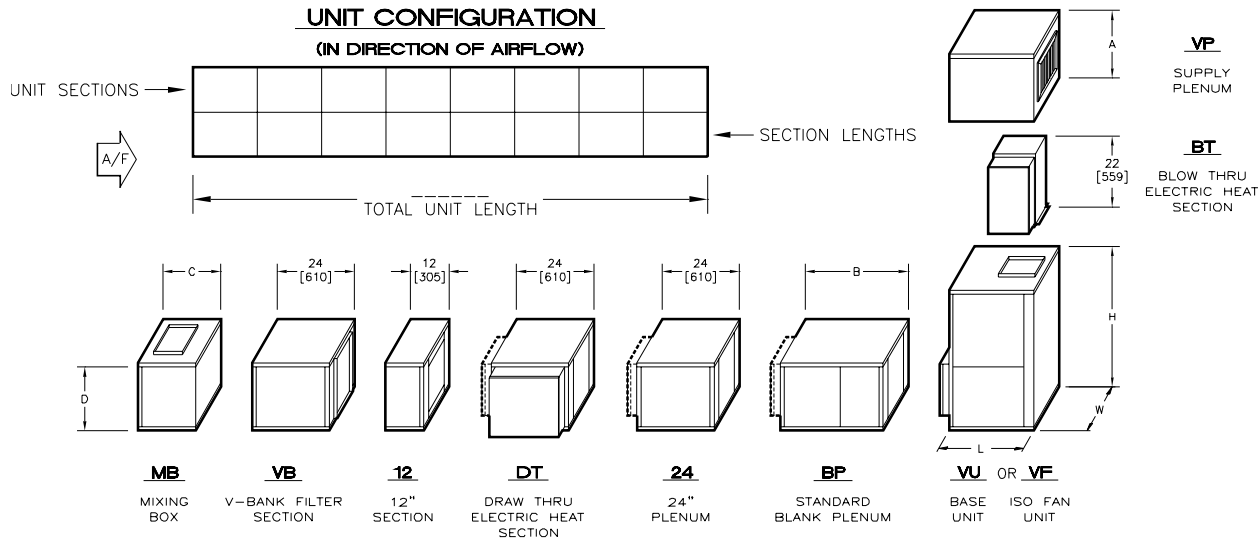
DIMENSIONS - In [mm]

| UNIT SIZE | H | W | L | | A | B | C |
|-----------|-------------|---------------|--------------|-------------|-------------|-------------|-------------|
| | | | STD | INT ISO | | | |
| 08 | 21 [533] | 30 [762] | 40 [1016] | 32 [813] | 9 [229] | 32 [813] | 18 [457] |
| 12 | 21 [533] | 36 [914] | 40 [1016] | 32 [813] | 9 [229] | 32 [813] | 18 [457] |
| 16 | 21 [533] | 44 [1118] | 40 [1016] | 32 [813] | 12 [305] | 32 [813] | 18 [457] |
| 20 | 21 [533] | 50 [1270] | 40 [1016] | 32 [813] | 12 [305] | 32 [813] | 21 [533] |
| 25 | 30 [762] | 59 [1499] | 46 [1168] | 38 [965] | 15 [381] | 38 [965] | 21 [533] |
| 30 | 30 [762] | 59 [1499] | 46 [1168] | 38 [965] | 15 [381] | 38 [965] | 21 [533] |
| 40 | 30 [762] | 68 [1727] | 46 [1168] | 38 [965] | 15 [381] | 38 [965] | 24 [610] |
| 50 | 30 [762] | 80 [2032] | 46 [1168] | 38 [965] | 15 [381] | 38 [965] | 24 [610] |
| 60 | 30 [762] | 89 [2261] | 46 [1168] | 38 [965] | 15 [381] | 38 [965] | 24 [610] |
| 80 | 36 [914] | 102 [2591] | 46 [1168] | 38 [965] | 15 [381] | 38 [965] | 27 [686] |

NOTES:

1. All dimensions are inches [millimeters]. All dimensions are $\pm 1/4"$ [6mm]. Metric values are soft conversion.
2. See page 41 for rigging hole and base rail details.
3. This drawing for identification of unit configuration only. See individual unit and section drawings for submittal details.
4. Flat filter rack will be located as required.
5. Supply plenum may not be combined with blow thru electric heat option.

Model V Series B



DIMENSIONS - In [mm]

| UNIT SIZE | H | | W | L | A | B | C | D |
|-----------|--------------|--------------|---------------|-------------|-------------|-------------|-------------|-------------|
| | STD | INT ISO | | | | | | |
| 08 | 44 [1118] | 47 [1194] | 30 [762] | 24 [610] | 12 [305] | 32 [813] | 18 [457] | 21 [533] |
| 12 | 44 [1118] | 47 [1194] | 36 [914] | 24 [610] | 12 [305] | 32 [813] | 18 [457] | 21 [533] |
| 16 | 44 [1118] | 50 [1270] | 44 [1118] | 24 [610] | 14 [356] | 32 [813] | 18 [457] | 21 [533] |
| 20 | 50 [1270] | 53 [1346] | 50 [1270] | 30 [762] | 16 [406] | 32 [813] | 21 [533] | 21 [533] |
| 25 | 50 [1270] | 56 [1422] | 59 [1499] | 30 [762] | 16 [406] | 38 [965] | 21 [533] | 30 [762] |
| 30 | 56 [1422] | 59 [1499] | 59 [1499] | 30 [762] | 16 [406] | 38 [965] | 21 [533] | 30 [762] |
| 40 | 59 [1499] | 62 [1575] | 68 [1727] | 30 [762] | 18 [457] | 38 [965] | 24 [610] | 30 [762] |
| 50 | 59 [1499] | 62 [1575] | 80 [2032] | 30 [762] | 18 [457] | 38 [965] | 24 [610] | 30 [762] |
| 60 | 59 [1499] | 62 [1575] | 89 [2261] | 30 [762] | 18 [457] | 38 [965] | 24 [610] | 30 [762] |
| 80 | 65 [1651] | 71 [1803] | 102 [2591] | 30 [762] | 20 [508] | 38 [965] | 27 [686] | 36 [914] |

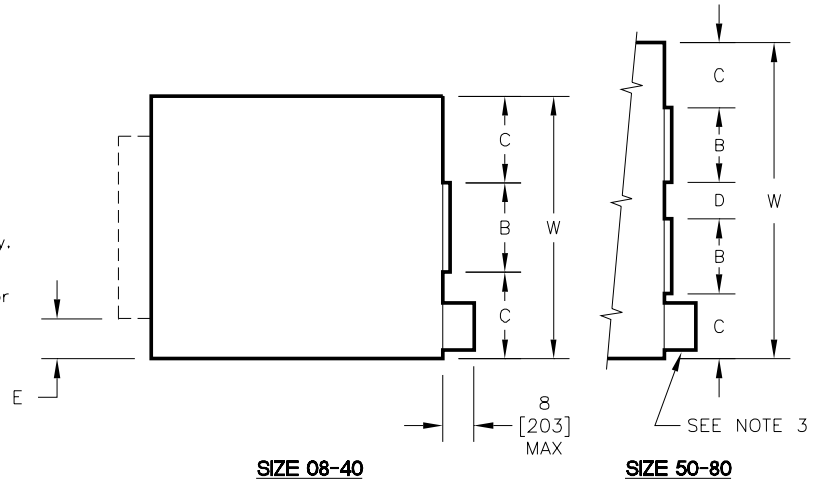
NOTES:

1. All dimensions are inches [millimeters]. All dimensions are $\pm 1/4"$ [6mm]. Metric values are soft conversion.
2. See Page 41 for rigging hole and base rail details.
3. This drawing for identification of unit configuration only. See individual unit and section drawings for submittal details.
4. Flat filter rack will be located as required.
5. Supply plenum may not be combined with blow thru electric heat option.

Model H Series B, Basic Unit, Discharge Arrangement 3

NOTES:

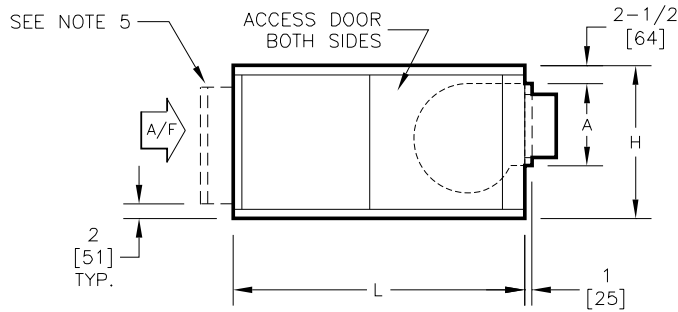
1. All dimensions are Inches [millimeters]. All dimensions are $\pm 1/4"$ [6mm]. Metric values are soft conversion.
2. All drawings subject to change without prior notice.
3. Motor/drive location may be specified Left of Right Hand. Standard control enclosure location matches motor/drive position.
4. Coil and drain piping not shown for clarity. See drawings BCC-001 thru BCC-131.
5. Flat filter rack may be located at unit inlet as required. See drawing FR-001 for filter rack details.
6. Base rail not shown. See drawing BR-001 for base rail details.
7. No space is provided for coils in basic units with internally isolated fan option. Cooling and/or heating coils must be located in an appropriate blank plenum.



SIZE 08-40

SIZE 50-80

TOP VIEWS



SIDE VIEWS

DIMENSIONS - In [mm]

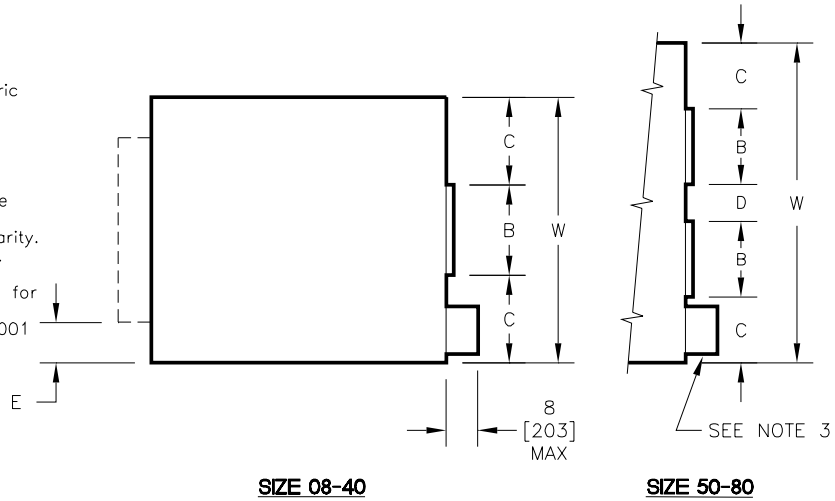
| UNIT SIZE | H | W | L | | A | B | C | D | E |
|-----------|----------|------------|-----------|------------|--------------|--------------|--------------|----------|-------------|
| | | | STD | INT ISO(7) | | | | | |
| 08 | 21 [533] | 30 [762] | 40 [1016] | 32 [813] | 11-1/4 [286] | 8-1/4 [210] | 10-7/8 [276] | -- [--] | 5 [127] |
| 12 | 21 [533] | 36 [914] | 40 [1016] | 32 [813] | 11-1/4 [286] | 12 [305] | 12 [305] | -- [--] | 5-1/2 [140] |
| 16 | 21 [533] | 44 [1118] | 40 [1016] | 32 [813] | 11-3/8 [289] | 10-1/4 [260] | 16-7/8 [429] | -- [--] | 2-1/4 [57] |
| 20 | 21 [533] | 50 [1270] | 40 [1016] | 32 [813] | 11-3/8 [289] | 13-1/4 [337] | 18-3/8 [467] | -- [--] | 2-3/4 [70] |
| 25 | 30 [762] | 59 [1499] | 46 [1168] | 38 [965] | 16 [406] | 13-1/4 [337] | 22-7/8 [581] | -- [--] | 4-3/4 [121] |
| 30 | 30 [762] | 59 [1499] | 46 [1168] | 38 [965] | 16 [406] | 15 [381] | 22 [559] | -- [--] | 4 [102] |
| 40 | 30 [762] | 68 [1727] | 46 [1168] | 38 [965] | 16 [406] | 19 [483] | 24-1/2 [622] | -- [--] | 4-1/2 [114] |
| 50 | 30 [762] | 80 [2032] | 46 [1168] | 38 [965] | 16 [406] | 13-1/4 [337] | 20-1/4 [514] | 13 [330] | 4-3/4 [121] |
| 60 | 30 [762] | 89 [2261] | 46 [1168] | 38 [965] | 16 [406] | 15 [381] | 22-1/2 [572] | 14 [356] | 5 [127] |
| 80 | 36 [914] | 102 [2591] | 46 [1168] | 38 [965] | 16 [406] | 19 [483] | 23-1/2 [597] | 17 [432] | 4 [102] |

NOTE: Refer to submittal drawings for alternate fan discharge dimensions.

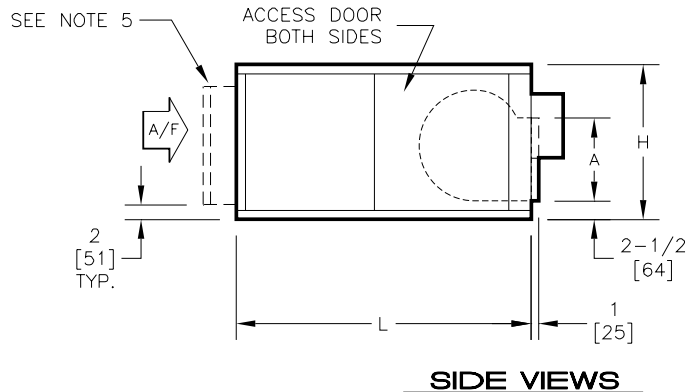
Model H Series B, Basic Unit, Discharge Arrangement 4

NOTES:

1. All dimensions are Inches [millimeters]. All dimensions are $\pm 1/4"$ [6mm]. Metric values are soft conversion.
2. All drawings subject to change without prior notice.
3. Motor/drive location may be specified Left of Right Hand. Standard control enclosure location matches motor/drive position.
4. Coil and drain piping not shown for clarity. See drawings BCC-001 thru BCC-131.
5. Flat filter rack may be located at unit inlet as required. See drawing FR-001 for filter rack details.
6. Base rail not shown. See drawing BR-001 for base rail details.
7. Internal fan isolation not available with discharge argt. 1, 2, 4, 5, and 6.



TOP VIEWS



SIDE VIEWS

DIMENSIONS - In [mm]

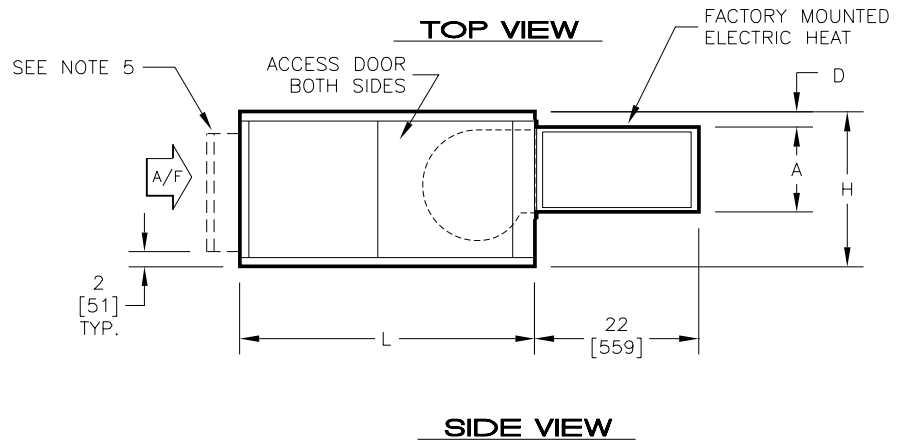
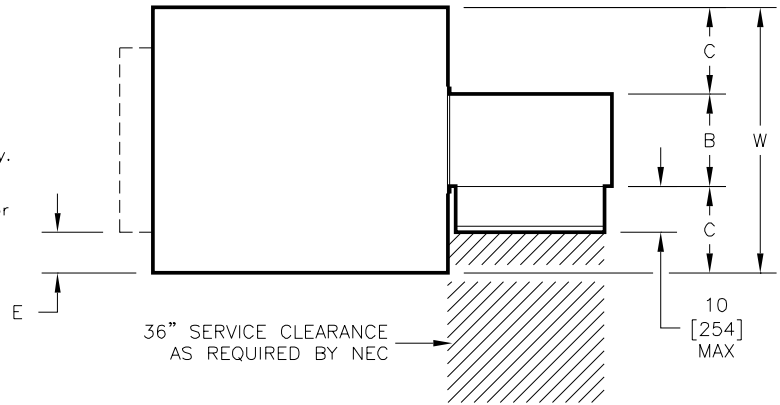
| UNIT SIZE | H | W | L | A | B | C | D | E |
|-----------|-------------|---------------|--------------|-----------------|-----------------|-----------------|-------------|----------------|
| 08 | 21 [533] | 30 [762] | 40 [1016] | 11-1/4 [286] | 8-1/4 [210] | 10-7/8 [276] | -- [--] | 5 [127] |
| 12 | 21 [533] | 36 [914] | 40 [1016] | 11-1/4 [286] | 12 [305] | 12 [305] | -- [--] | 5-1/2 [140] |
| 16 | 21 [533] | 44 [1118] | 40 [1016] | 11-3/8 [289] | 10-1/4 [260] | 16-7/8 [429] | -- [--] | 2-1/4 [57] |
| 20 | 21 [533] | 50 [1270] | 40 [1016] | 11-3/8 [289] | 13-1/4 [337] | 18-3/8 [467] | -- [--] | 2-3/4 [70] |
| 25 | 30 [762] | 59 [1499] | 46 [1168] | 16 [406] | 13-1/4 [337] | 22-7/8 [581] | -- [--] | 4-3/4 [121] |
| 30 | 30 [762] | 59 [1499] | 46 [1168] | 16 [406] | 15 [381] | 22 [559] | -- [--] | 4 [102] |
| 40 | 30 [762] | 68 [1727] | 46 [1168] | 16 [406] | 19 [483] | 24-1/2 [622] | -- [--] | 4-1/2 [114] |
| 50 | 30 [762] | 80 [2032] | 46 [1168] | 16 [406] | 13-1/4 [337] | 20-1/4 [514] | 13 [330] | 4-3/4 [121] |
| 60 | 30 [762] | 89 [2261] | 46 [1168] | 16 [406] | 15 [381] | 22-1/2 [572] | 14 [356] | 5 [127] |
| 80 | 36 [914] | 102 [2591] | 46 [1168] | 16 [406] | 19 [483] | 23-1/2 [597] | 17 [432] | 4 [102] |

NOTE: Refer to submittal drawings for alternate fan discharge dimensions.

Model H Series B, Basic Unit, Arrgt. 3, Blow-Thru E.H.

NOTES:

1. All dimensions are Inches [millimeters]. All dimensions are $\pm 1/4"$ [6mm]. Metric values are soft conversion.
2. All drawings subject to change without prior notice.
3. Motor/drive location may be specified Left of Right Hand. Standard control enclosure location matches motor/drive position.
4. Coil and drain piping not shown for clarity. See drawings BCC-001 thru BCC-131.
5. Flat filter rack may be located at inlet as required. See drawing FR-001 for filter rack details.
6. Base rail not shown. See drawing BR-001 for base rail details.
7. No space is provided for coils in basic units with internally isolated fan option. Cooling and/or heating coils must be located in an appropriate blank plenum.



DIMENSIONS - In [mm]

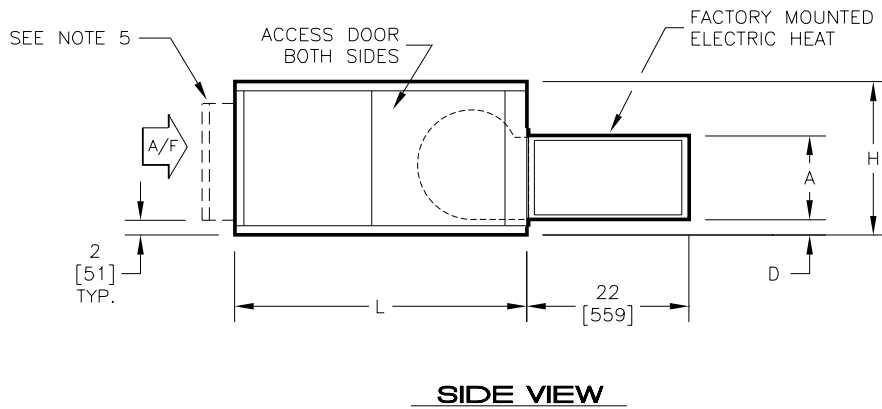
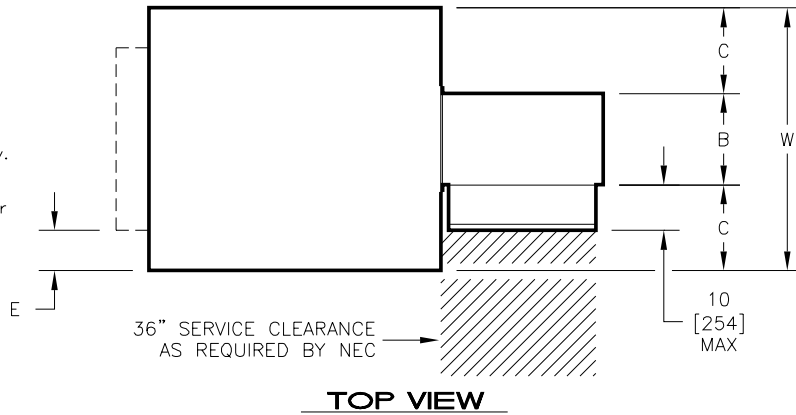
| UNIT SIZE | H | W | L | | A | B | C | D | E |
|-----------|----------|------------|-----------|------------|--------------|---------------|----------------|-------------|-------------|
| | | | STD | INT ISO(7) | | | | | |
| 08 | 21 [533] | 30 [762] | 40 [1016] | 32 [813] | 11-7/8 [302] | 8-7/8 [225] | 10-9/16 [268] | 2-3/16 [56] | 5 [127] |
| 12 | 21 [533] | 36 [914] | 40 [1016] | 32 [813] | 11-7/8 [302] | 12-5/8 [321] | 11-11/16 [297] | 2-3/16 [56] | 5-1/2 [140] |
| 16 | 21 [533] | 44 [1118] | 40 [1016] | 32 [813] | 12 [305] | 10-7/8 [276] | 16-9/16 [421] | 2-3/16 [56] | 2-1/4 [57] |
| 20 | 21 [533] | 50 [1270] | 40 [1016] | 32 [813] | 12 [305] | 13-7/8 [352] | 18-1/16 [459] | 2-3/16 [56] | 2-3/4 [70] |
| 25 | 30 [762] | 59 [1499] | 46 [1168] | 38 [965] | 16-5/8 [422] | 13-7/8 [352] | 22-9/16 [573] | 2-3/16 [56] | 4-3/4 [121] |
| 30 | 30 [762] | 59 [1499] | 46 [1168] | 38 [965] | 16-5/8 [422] | 15-5/8 [397] | 21-11/16 [551] | 2-3/16 [56] | 4 [102] |
| 40 | 30 [762] | 68 [1727] | 46 [1168] | 38 [965] | 16-5/8 [422] | 19-5/8 [498] | 24-3/16 [614] | 2-3/16 [56] | 4-1/2 [114] |
| 50 | 30 [762] | 80 [2032] | 46 [1168] | 38 [965] | 16-5/8 [422] | 40-1/8 [1019] | 19-15/16 [506] | 2-3/16 [56] | 4-3/4 [121] |
| 60 | 30 [762] | 89 [2261] | 46 [1168] | 38 [965] | 16-5/8 [422] | 44-5/8 [1133] | 22-3/16 [564] | 2-3/16 [56] | 5 [127] |
| 80 | 36 [914] | 102 [2591] | 46 [1168] | 38 [965] | 16-5/8 [422] | 55-5/8 [1413] | 23-3/16 [589] | 2-3/16 [56] | 4 [102] |

NOTE: Refer to submittal drawings for alternate fan discharge dimensions.

Model H Series B, Basic Unit, Arrgt. 4, Blow-Thru E.H.

NOTES:

1. All dimensions are Inches [millimeters]. All dimensions are $\pm 1/4"$ [6mm]. Metric values are soft conversion.
2. All drawings subject to change without prior notice.
3. Motor/drive location may be specified Left of Right Hand. Standard control enclosure location matches motor/drive position.
4. Coil and drain piping not shown for clarity. See drawings BCC-001 thru BCC-131.
5. Flat filter rack may be located at unit inlet as required. See drawing FR-001 for filter rack details.
6. Base rail not shown. See drawing BR-001 for base rail details.
7. Internal fan isolation not available with discharge arrgt. 1, 2, 4, 5, and 6.



DIMENSIONS - In [mm]

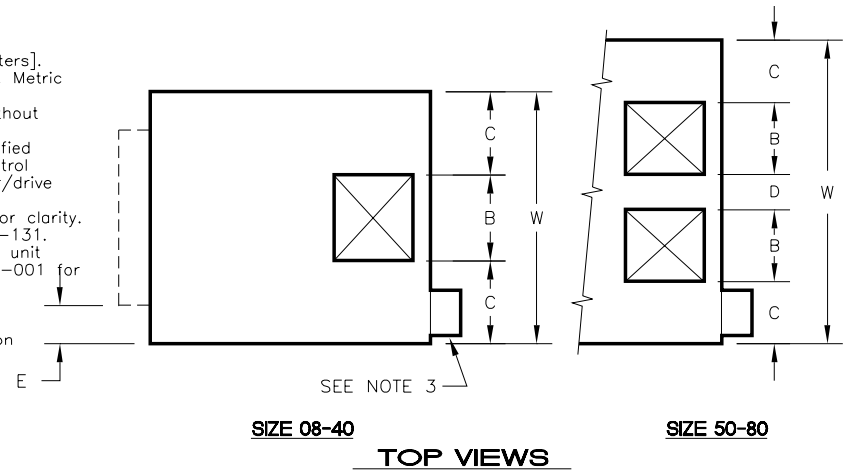
| UNIT SIZE | H | W | L | A | B | C | D | E |
|-----------|----------|------------|-----------|--------------|---------------|----------------|-------------|-------------|
| 08 | 21 [533] | 30 [762] | 40 [1016] | 11-7/8 [302] | 8-7/8 [225] | 10-9/16 [268] | 2-3/16 [56] | 5 [127] |
| 12 | 21 [533] | 36 [914] | 40 [1016] | 11-7/8 [302] | 12-5/8 [321] | 11-11/16 [297] | 2-3/16 [56] | 5-1/2 [140] |
| 16 | 21 [533] | 44 [1118] | 40 [1016] | 12 [305] | 10-7/8 [276] | 16-9/16 [421] | 2-3/16 [56] | 2-1/4 [57] |
| 20 | 21 [533] | 50 [1270] | 40 [1016] | 12 [305] | 13-7/8 [352] | 18-1/16 [459] | 2-3/16 [56] | 2-3/4 [70] |
| 25 | 30 [762] | 59 [1499] | 46 [1168] | 16-5/8 [422] | 13-7/8 [352] | 22-9/16 [573] | 2-3/16 [56] | 4-3/4 [121] |
| 30 | 30 [762] | 59 [1499] | 46 [1168] | 16-5/8 [422] | 15-5/8 [397] | 21-11/16 [551] | 2-3/16 [56] | 4 [102] |
| 40 | 30 [762] | 68 [1727] | 46 [1168] | 16-5/8 [422] | 19-5/8 [498] | 24-3/16 [614] | 2-3/16 [56] | 4-1/2 [114] |
| 50 | 30 [762] | 80 [2032] | 46 [1168] | 16-5/8 [422] | 40-1/8 [1019] | 19-15/16 [506] | 2-3/16 [56] | 4-3/4 [121] |
| 60 | 30 [762] | 89 [2261] | 46 [1168] | 16-5/8 [422] | 44-5/8 [1133] | 22-3/16 [564] | 2-3/16 [56] | 5 [127] |
| 80 | 36 [914] | 102 [2591] | 46 [1168] | 16-5/8 [422] | 55-5/8 [1413] | 23-3/16 [589] | 2-3/16 [56] | 4 [102] |

NOTE: Refer to submittal drawings for alternate fan discharge dimensions.

Model H Series B, Basic Unit, Discharge Arrangement 2 & 5

NOTES:

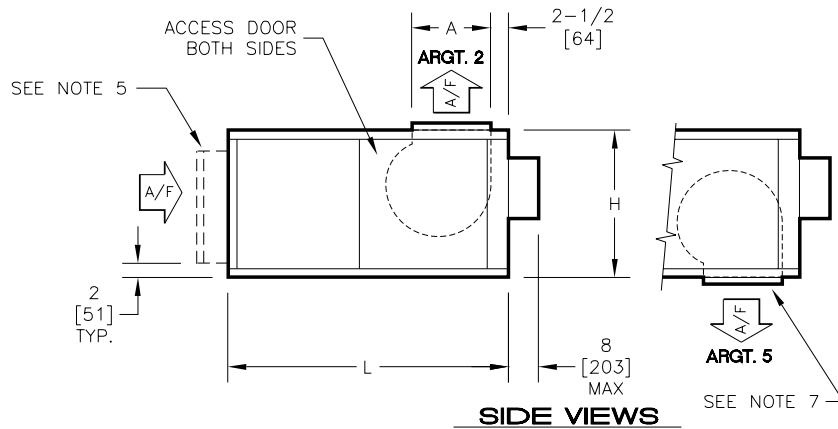
1. All dimensions are Inches [millimeters]. All dimensions are $\pm 1/4"$ [6mm]. Metric values are soft conversion.
2. All drawings subject to change without prior notice.
3. Motor/drive location may be specified Left of Right Hand. Standard control enclosure location matches motor/drive position.
4. Coil and drain piping not shown for clarity. See drawings BCC-001 thru BCC-131.
5. Flat filter rack may be located at unit inlet as required. See drawing FR-001 for filter rack details.
6. Base rail not shown. See drawing BR-001 for base rail details.
7. Outlet location and size is common for Argt. 2 and Argt. 5.
8. Internal fan isolation not available with discharge argt. 1, 2, 4, 5, and 6.



SIZE 08-40

SIZE 50-80

TOP VIEWS



SIDE VIEWS

DIMENSIONS - In [mm]

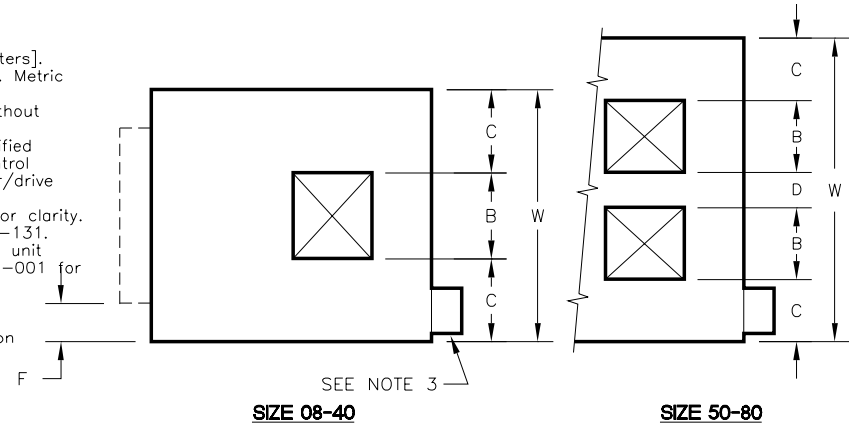
| UNIT SIZE | H | W | L | A | B | C | D | E |
|-----------|----------|------------|-----------|--------------|--------------|--------------|----------|-------------|
| 08 | 21 [533] | 30 [762] | 40 [1016] | 11-1/4 [286] | 8-1/4 [210] | 10-7/8 [276] | -- [--] | 5 [127] |
| 12 | 21 [533] | 36 [914] | 40 [1016] | 11-1/4 [286] | 12 [305] | 12 [305] | -- [--] | 5-1/2 [140] |
| 16 | 21 [533] | 44 [1118] | 40 [1016] | 13-1/2 [343] | 10-1/4 [260] | 16-7/8 [429] | -- [--] | 2-1/4 [57] |
| 20 | 21 [533] | 50 [1270] | 40 [1016] | 13-1/2 [343] | 13-1/4 [337] | 18-3/8 [467] | -- [--] | 2-3/4 [70] |
| 25 | 30 [762] | 59 [1499] | 46 [1168] | 16 [406] | 13-1/4 [337] | 22-7/8 [581] | -- [--] | 4-3/4 [121] |
| 30 | 30 [762] | 59 [1499] | 46 [1168] | 16 [406] | 15 [381] | 22 [559] | -- [--] | 4 [102] |
| 40 | 30 [762] | 68 [1727] | 46 [1168] | 16 [406] | 19 [483] | 24-1/2 [622] | -- [--] | 4-1/2 [114] |
| 50 | 30 [762] | 80 [2032] | 46 [1168] | 16 [406] | 13-1/4 [337] | 20-1/4 [514] | 13 [330] | 4-3/4 [121] |
| 60 | 30 [762] | 89 [2261] | 46 [1168] | 16 [406] | 15 [381] | 22-1/2 [572] | 14 [356] | 5 [127] |
| 80 | 36 [914] | 102 [2591] | 46 [1168] | 16 [406] | 19 [483] | 23-1/2 [597] | 17 [432] | 4 [102] |

NOTE: Refer to submittal drawings for alternate fan discharge dimensions.

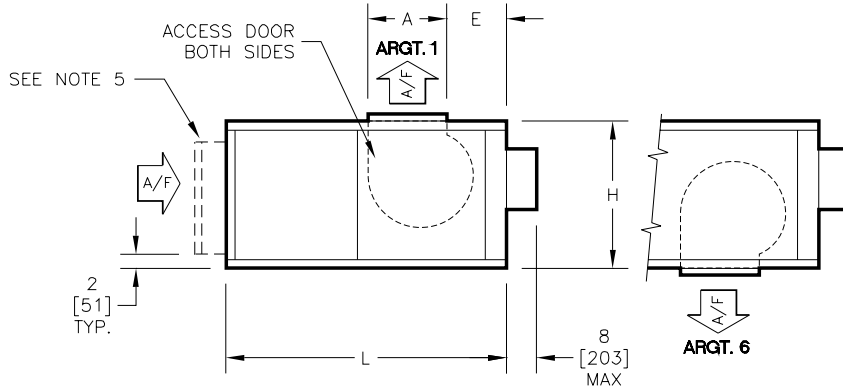
Model H Series B, Basic Unit, Discharge Arrangement 1 & 6

NOTES:

1. All dimensions are Inches, [millimeters].
All dimensions are $\pm 1/4"$ [6mm]. Metric values are soft conversion.
2. All drawings subject to change without prior notice.
3. Motor/drive location may be specified Left of Right Hand. Standard control enclosure location matches motor/drive position.
4. Coil and drain piping not shown for clarity. See drawings BCC-001 thru BCC-131.
5. Flat filter rack may be located at unit inlet as required. See drawing FR-001 for filter rack details.
6. Base rail not shown. See drawing BR-001 for base rail details.
7. Outlet location and size is common for Argt. 1 and Argt. 6.
8. Internal fan isolation not available with discharge argt. 1, 2, 4, 5, and 6.



TOP VIEWS



SIDE VIEWS

DIMENSIONS - In [mm]

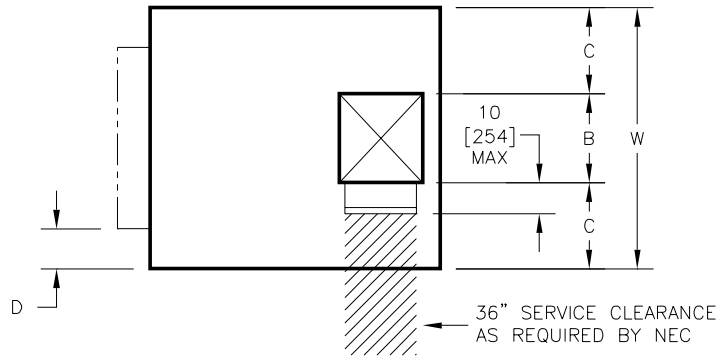
| UNIT SIZE | H | W | L | A | B | C | D | E | F |
|-----------|-------------|---------------|--------------|-----------------|-----------------|-----------------|-------------|-----------------|----------------|
| 08 | 21 [533] | 30 [762] | 40 [1016] | 11-1/4 [286] | 8-1/4 [210] | 10-7/8 [276] | -- [--] | 6 [152] | 5 [127] |
| 12 | 21 [533] | 36 [914] | 40 [1016] | 11-1/4 [286] | 12 [305] | 12 [305] | -- [--] | 6 [152] | 5-1/2 [140] |
| 16 | 21 [533] | 44 [1118] | 40 [1016] | 13-1/2 [343] | 10-1/4 [260] | 16-7/8 [429] | -- [--] | 6 [152] | 2-1/4 [57] |
| 20 | 21 [533] | 50 [1270] | 40 [1016] | 13-1/2 [343] | 13-1/4 [337] | 18-3/8 [467] | -- [--] | 6 [152] | 2-3/4 [70] |
| 25 | 30 [762] | 59 [1499] | 46 [1168] | 16 [406] | 13-1/4 [337] | 22-7/8 [581] | -- [--] | 10-1/4 [260] | 4-3/4 [121] |
| 30 | 30 [762] | 59 [1499] | 46 [1168] | 16 [406] | 15 [381] | 22 [559] | -- [--] | 10-1/4 [260] | 4 [102] |
| 40 | 30 [762] | 68 [1727] | 46 [1168] | 16 [406] | 19 [483] | 24-1/2 [622] | -- [--] | 10-1/4 [260] | 4-1/2 [114] |
| 50 | 30 [762] | 80 [2032] | 46 [1168] | 16 [406] | 13-1/4 [337] | 20-1/4 [514] | 13 [330] | 10-1/4 [260] | 4-3/4 [121] |
| 60 | 30 [762] | 89 [2261] | 46 [1168] | 16 [406] | 15 [381] | 22-1/2 [572] | 14 [356] | 10-1/4 [260] | 5 [127] |
| 80 | 36 [914] | 102 [2591] | 46 [1168] | 16 [406] | 19 [483] | 23-1/2 [597] | 17 [432] | 10-1/4 [260] | 4 [102] |

NOTE: Refer to submittal drawings for alternate fan discharge dimensions.

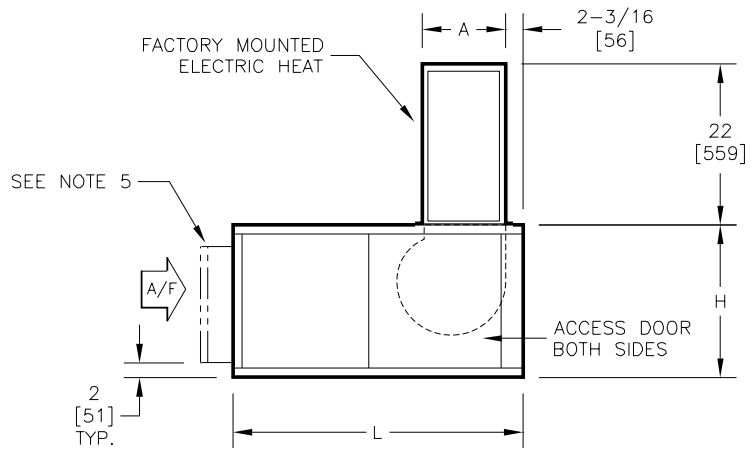
Model H Series B, Basic Unit, Arrgt. 2, Blow-Thru E.H.

NOTES:

1. All dimensions are Inches [millimeters]. All dimensions are $\pm 1/4"$ [6mm]. Metric values are soft conversion.
2. All drawings subject to change without prior notice.
3. Motor/drive location may be specified Left of Right Hand. Standard control enclosure location matches unit hand.
4. Coil and drain piping not shown for clarity. See drawings BCC-001 thru BCC-131.
5. Flat filter rack may be located at unit inlet as required. See drawing FR-001 for filter rack details.
6. Base rail not shown. See drawing BR-001 for base rail details.
7. Internal fan isolation not available with discharge argt. 1, 2, 4, 5, and 6.



TOP VIEW



SIDE VIEW

DIMENSIONS - In [mm]

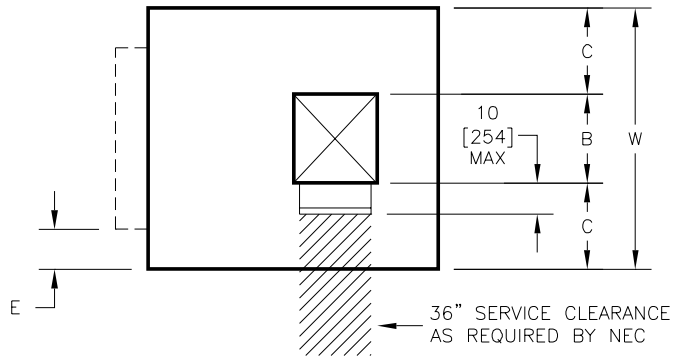
| UNIT SIZE | H | W | L | A | B | C | D |
|-----------|----------|------------|-----------|--------------|---------------|----------------|-------------|
| 08 | 21 [533] | 30 [762] | 40 [1016] | 11-7/8 [302] | 8-7/8 [225] | 10-9/16 [268] | 5 [127] |
| 12 | 21 [533] | 36 [914] | 40 [1016] | 11-7/8 [302] | 12-5/8 [314] | 11-11/16 [297] | 5-1/2 [140] |
| 16 | 21 [533] | 44 [1118] | 40 [1016] | 14-1/8 [359] | 10-7/8 [276] | 16-9/16 [421] | 2-1/4 [57] |
| 20 | 21 [533] | 50 [1270] | 40 [1016] | 14-1/8 [359] | 13-7/8 [352] | 18-1/16 [459] | 2-3/4 [70] |
| 25 | 30 [762] | 59 [1499] | 46 [1168] | 16-5/8 [422] | 13-7/8 [352] | 22-9/16 [573] | 4-3/4 [121] |
| 30 | 30 [762] | 59 [1499] | 46 [1168] | 16-5/8 [422] | 15-5/8 [397] | 21-11/16 [551] | 4 [102] |
| 40 | 30 [762] | 68 [1727] | 46 [1168] | 16-5/8 [422] | 19-5/8 [498] | 24-3/16 [614] | 4-1/2 [114] |
| 50 | 30 [762] | 80 [2032] | 46 [1168] | 16-5/8 [422] | 40-1/8 [1019] | 19-15/16 [506] | 4-3/4 [121] |
| 60 | 30 [762] | 89 [2261] | 46 [1168] | 16-5/8 [422] | 44-5/8 [1133] | 22-3/16 [564] | 5 [127] |
| 80 | 36 [914] | 102 [2591] | 46 [1168] | 16-5/8 [422] | 55-5/8 [1413] | 23-3/16 [589] | 4 [102] |

NOTE: Refer to submittal drawings for alternate fan discharge dimensions.

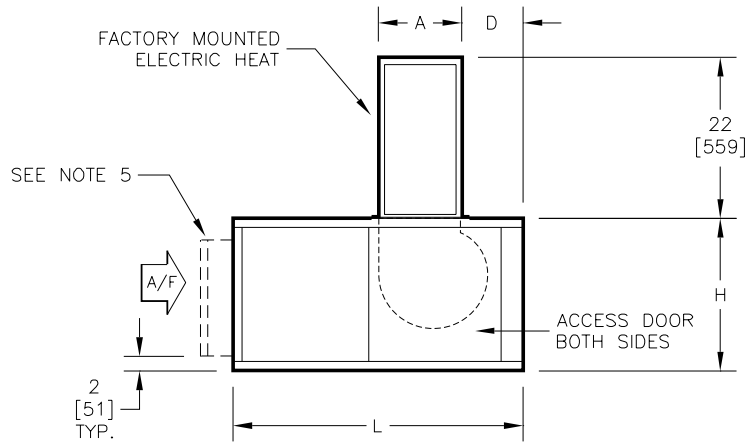
Model H Series B, Basic Unit, Arrgt. 1, Blow-Thru E.H.

NOTES:

1. All dimensions are Inches [millimeters]. All dimensions are $\pm 1/4"$ [6mm]. Metric values are soft conversion.
2. All drawings subject to change without prior notice.
3. Motor/drive location may be specified Left of Right Hand. Standard control enclosure location matches unit hand.
4. Coil and drain piping not shown for clarity. See drawings BCC-001 thru BCC-131.
5. Flat filter rack may be located at unit inlet as required. See drawing FR-001 for filter rack details.
6. Base rail not shown. See drawing BR-001 for base rail details.
7. Internal fan isolation not available with discharge argt. 1, 2, 4, 5, and 6.



TOP VIEW



SIDE VIEW

DIMENSIONS - In [mm]

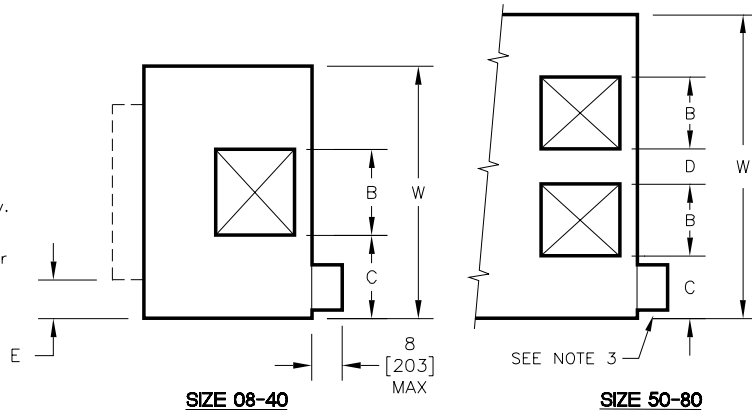
| UNIT SIZE | H | W | L | A | B | C | D | E |
|-----------|----------|------------|-----------|--------------|---------------|----------------|---------------|-------------|
| 08 | 21 [533] | 30 [762] | 40 [1016] | 11-7/8 [302] | 8-7/8 [225] | 10-9/16 [268] | 5-11/16 [144] | 5 [127] |
| 12 | 21 [533] | 36 [914] | 40 [1016] | 11-7/8 [302] | 12-5/8 [321] | 11-11/16 [297] | 5-11/16 [144] | 5-1/2 [140] |
| 16 | 21 [533] | 44 [1118] | 40 [1016] | 14-1/8 [359] | 10-7/8 [276] | 16-9/16 [421] | 5-11/16 [144] | 2-1/4 [57] |
| 20 | 21 [533] | 50 [1270] | 40 [1016] | 14-1/8 [359] | 13-7/8 [352] | 18-1/16 [459] | 9-15/16 [252] | 2-3/4 [70] |
| 25 | 30 [762] | 59 [1499] | 46 [1168] | 16-5/8 [422] | 13-7/8 [346] | 22-9/16 [573] | 9-15/16 [252] | 4-3/4 [121] |
| 30 | 30 [762] | 59 [1499] | 46 [1168] | 16-5/8 [422] | 15-5/8 [397] | 21-11/16 [551] | 9-15/16 [252] | 4 [102] |
| 40 | 30 [762] | 68 [1727] | 46 [1168] | 16-5/8 [422] | 19-5/8 [499] | 24-3/16 [614] | 9-15/16 [252] | 4-1/2 [114] |
| 50 | 30 [762] | 80 [2032] | 46 [1168] | 16-5/8 [422] | 40-1/8 [1019] | 19-15/16 [506] | 9-15/16 [252] | 4-3/4 [121] |
| 60 | 30 [762] | 89 [2261] | 46 [1168] | 16-5/8 [422] | 44-5/8 [1133] | 22-3/16 [564] | 9-15/16 [252] | 5 [127] |
| 80 | 36 [914] | 102 [2591] | 46 [1168] | 16-5/8 [422] | 55-5/8 [1413] | 23-3/16 [589] | 9-15/16 [252] | 4 [102] |

NOTE: Refer to submittal drawings for alternate fan discharge dimensions.

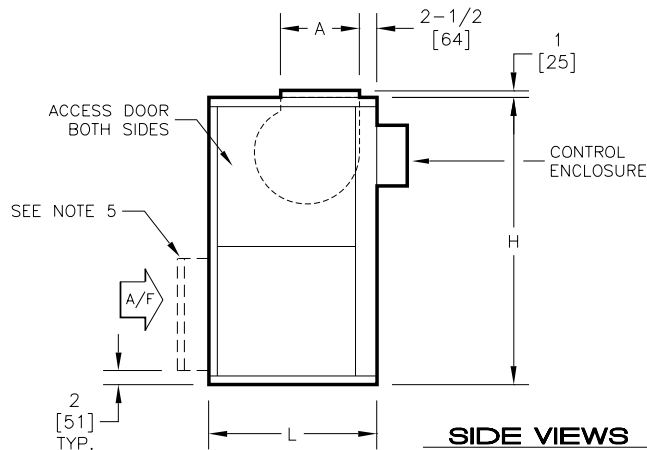
Model V Series B, Basic Unit, Discharge Arrangement 2

NOTES:

1. All dimensions are Inches, [millimeters]. All dimensions are $\pm 1/4"$ [6mm]. Metric values are soft conversion.
2. All drawings subject to change without prior notice.
3. Motor/drive location may be specified Left of Right Hand. Standard control enclosure location matches motor/drive position.
4. Coil and drain piping not shown for clarity. See drawings BCC-001 thru BCC-131.
5. Flat filter rack may be located at unit inlet as required. See drawing FR-001 for filter rack details.
6. Base rail not shown. See drawing BR-001 for base rail details.



TOP VIEWS



SIDE VIEWS

DIMENSIONS - In [mm]

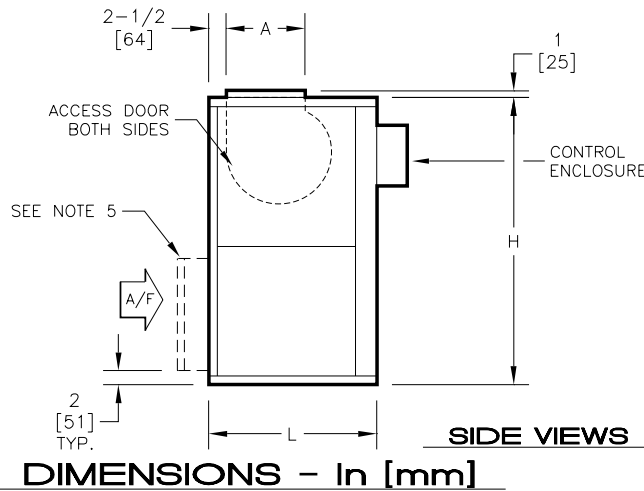
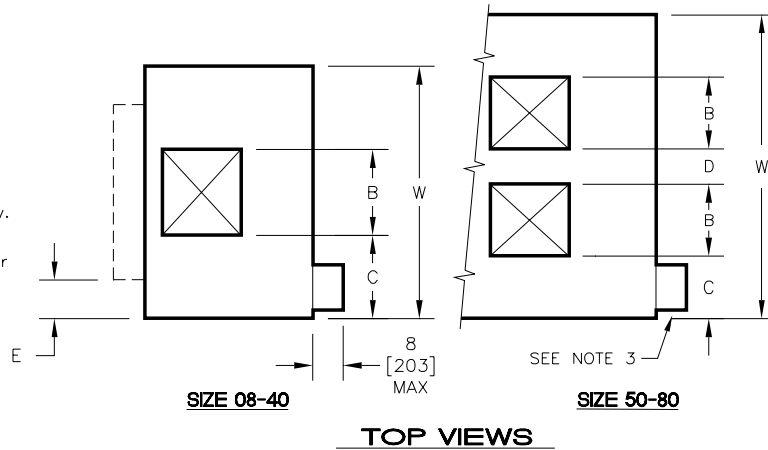
| UNIT SIZE | H | | W | L | A | B | C | D | E |
|-----------|-----------|-----------|------------|----------|--------------|--------------|--------------|----------|-------------|
| | STD | INT ISO | | | | | | | |
| 08 | 44 [1118] | 47 [1194] | 30 [762] | 24 [610] | 11-1/4 [286] | 8-1/4 [210] | 10-7/8 [276] | -- [--] | 5 [127] |
| 12 | 44 [1118] | 47 [1194] | 36 [914] | 24 [610] | 11-1/4 [286] | 12 [305] | 12 [305] | -- [--] | 5-1/2 [140] |
| 16 | 44 [1118] | 50 [1270] | 44 [1118] | 24 [610] | 13-1/2 [343] | 10-1/4 [260] | 16-7/8 [429] | -- [--] | 2-1/4 [57] |
| 20 | 50 [1270] | 53 [1346] | 50 [1270] | 30 [762] | 13-1/2 [343] | 13-1/4 [337] | 18-3/8 [467] | -- [--] | 2-3/4 [70] |
| 25 | 50 [1270] | 56 [1422] | 59 [1499] | 30 [762] | 16 [406] | 13-1/4 [337] | 22-7/8 [581] | -- [--] | 4-3/4 [121] |
| 30 | 56 [1422] | 59 [1499] | 59 [1499] | 30 [762] | 16 [406] | 15 [381] | 22 [559] | -- [--] | 4 [102] |
| 40 | 59 [1499] | 62 [1575] | 68 [1727] | 30 [762] | 16 [406] | 19 [483] | 24-1/2 [622] | -- [--] | 4-1/2 [114] |
| 50 | 59 [1499] | 62 [1575] | 80 [2032] | 30 [762] | 16 [406] | 13-1/4 [337] | 20-1/4 [514] | 13 [330] | 4-3/4 [121] |
| 60 | 59 [1499] | 62 [1575] | 89 [2261] | 30 [762] | 16 [406] | 15 [381] | 22-1/2 [572] | 14 [356] | 5 [127] |
| 80 | 65 [1651] | 71 [1803] | 102 [2591] | 30 [762] | 16 [406] | 19 [483] | 23-1/2 [597] | 17 [432] | 4 [102] |

NOTE: Refer to submittal drawings for alternate fan discharge dimensions.

Model V Series B, Basic Unit, Discharge Arrangement 1

NOTES:

- All dimensions are Inches [millimeters].
All dimensions $\pm 1/4"$ [6mm].
Metric values are soft conversion.
- All drawings subject to change without prior notice.
- Motor/drive location may be specified Left of Right Hand. Standard control enclosure location matches motor/drive position.
- Coil and drain piping not shown for clarity. See drawings BCC-001 thru BCC-131.
- Flat filter rack may be located at unit inlet as required. See drawing FR-001 for filter rack details.
- Base rail not shown. See drawing BR-001 for base rail details.



DIMENSIONS - In [mm]

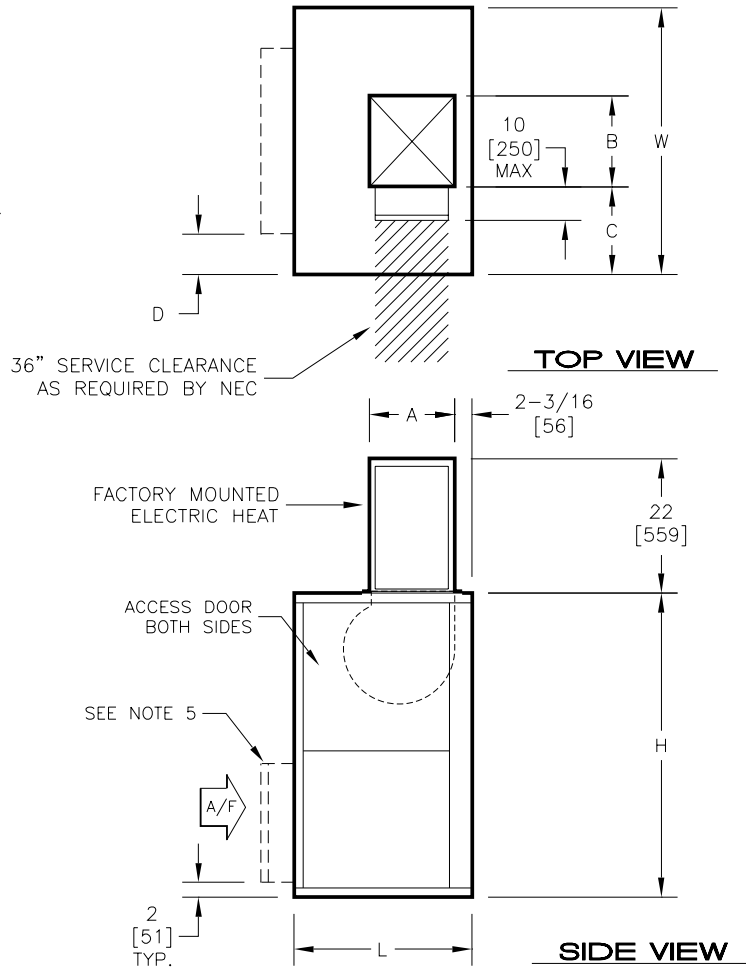
| UNIT SIZE | H | | W | L | A | B | C | D | E |
|-----------|-----------|-----------|------------|----------|--------------|--------------|--------------|----------|-------------|
| | STD | INT ISO | | | | | | | |
| 08 | 44 [1118] | 47 [1194] | 30 [762] | 24 [610] | 11-1/4 [286] | 8-1/4 [210] | 10-7/8 [276] | -- [--] | 5 [127] |
| 12 | 44 [1118] | 47 [1194] | 36 [914] | 24 [610] | 11-1/4 [286] | 12 [305] | 12 [305] | -- [--] | 5-1/2 [140] |
| 16 | 44 [1118] | 50 [1270] | 44 [1118] | 24 [610] | 13-1/2 [343] | 10-1/4 [260] | 16-7/8 [429] | -- [--] | 2-1/4 [57] |
| 20 | 50 [1270] | 53 [1346] | 50 [1270] | 30 [762] | 13-1/2 [343] | 13-1/4 [337] | 18-3/8 [467] | -- [--] | 2-3/4 [70] |
| 25 | 50 [1270] | 56 [1422] | 59 [1499] | 30 [762] | 16 [406] | 13-1/4 [337] | 22-7/8 [581] | -- [--] | 4-3/4 [121] |
| 30 | 56 [1422] | 59 [1499] | 59 [1499] | 30 [762] | 16 [406] | 15 [381] | 22 [559] | -- [--] | 4 [102] |
| 40 | 59 [1499] | 62 [1575] | 68 [1727] | 30 [762] | 16 [406] | 19 [483] | 24-1/2 [622] | -- [--] | 4-1/2 [114] |
| 50 | 59 [1499] | 62 [1575] | 80 [2032] | 30 [762] | 16 [406] | 13-1/4 [337] | 20-1/4 [514] | 13 [330] | 4-3/4 [121] |
| 60 | 59 [1499] | 62 [1575] | 89 [2261] | 30 [762] | 16 [406] | 15 [381] | 22-1/2 [572] | 14 [356] | 5 [127] |
| 80 | 65 [1651] | 71 [1803] | 102 [2591] | 30 [762] | 16 [406] | 19 [483] | 23-1/2 [597] | 17 [432] | 4 [102] |

NOTE: Refer to submittal drawings for alternate fan discharge dimensions.

Model V Series B, Basic Unit, Arrgt. 2, Blow-Thru E.H.

NOTES:

1. All dimensions are Inches [millimeters].
All dimensions $\pm 1/4"$ [6mm].
Metric values are soft conversion.
2. All drawings subject to change without prior notice.
3. Motor/drive location may be specified Left of Right Hand. Standard control enclosure location matches motor/drive position.
4. Coil and drain piping not shown for clarity. See drawings BCC-001 thru BCC-131.
5. Flat filter rack may be located at unit inlet as required. See drawing FR-001 for filter rack details.
6. Base rail not shown. See drawing BR-001 for base rail details.



DIMENSIONS - In [mm]

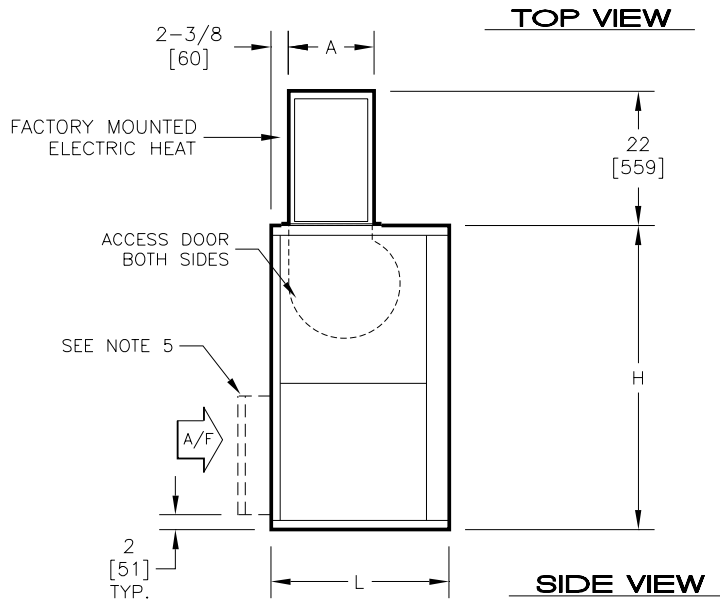
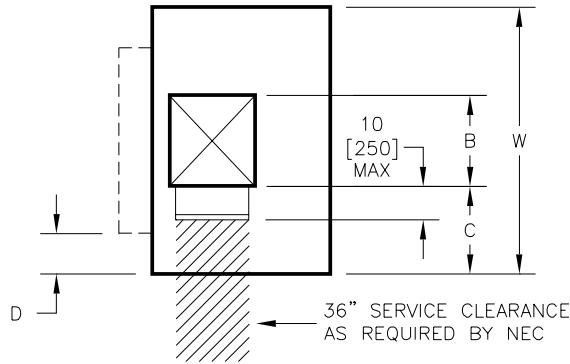
| UNIT SIZE | H | | W | L | A | B | C | D |
|-----------|-----------|-----------|------------|----------|--------------|---------------|----------------|-------------|
| | STD | INT ISO | | | | | | |
| 08 | 44 [1118] | 47 [1194] | 30 [762] | 24 [610] | 11-7/8 [302] | 8-7/8 [225] | 10-9/16 [268] | 5 [127] |
| 12 | 44 [1118] | 47 [1194] | 36 [914] | 24 [610] | 11-7/8 [302] | 12-5/8 [321] | 11-11/16 [297] | 5-1/2 [140] |
| 16 | 44 [1118] | 50 [1270] | 44 [1118] | 24 [610] | 14-1/8 [359] | 10-7/8 [276] | 16-9/16 [421] | 2-1/4 [57] |
| 20 | 50 [1270] | 53 [1346] | 50 [1270] | 30 [762] | 14-1/8 [359] | 13-7/8 [352] | 18-1/16 [459] | 2-3/4 [70] |
| 25 | 50 [1270] | 56 [1422] | 59 [1499] | 30 [762] | 16-5/8 [422] | 13-7/8 [352] | 22-9/16 [573] | 4-3/4 [121] |
| 30 | 56 [1422] | 59 [1499] | 59 [1499] | 30 [762] | 16-5/8 [422] | 15-5/8 [397] | 21-11/16 [551] | 4 [102] |
| 40 | 59 [1499] | 62 [1575] | 68 [1727] | 30 [762] | 16-5/8 [422] | 19-5/8 [498] | 24-3/16 [614] | 4-1/2 [114] |
| 50 | 59 [1499] | 62 [1575] | 80 [2032] | 30 [762] | 16-5/8 [422] | 40-1/8 [1019] | 19-15/16 [506] | 4-3/4 [121] |
| 60 | 59 [1499] | 62 [1575] | 89 [2261] | 30 [762] | 16-5/8 [422] | 44-5/8 [1133] | 22-3/16 [564] | 5 [127] |
| 80 | 65 [1651] | 71 [1803] | 102 [2591] | 30 [762] | 16-5/8 [422] | 55-5/8 [1413] | 23-3/16 [589] | 4 [102] |

NOTE: Refer to submittal drawings for alternate fan discharge dimensions.

Model V Series B, Basic Unit, Arrgt. 1, Blow-Thru E.H.

NOTES:

1. All dimensions are Inches [millimeters].
All dimensions $\pm 1/4"$ [6mm].
Metric values are soft conversion.
2. All drawings subject to change without prior notice.
3. Motor/drive location may be specified Left of Right Hand. Standard control enclosure location matches motor/drive position.
4. Coil and drain piping not shown for clarity. See drawings BCC-001 thru BCC-131.
5. Flat filter rack may be located at unit inlet as required. See drawing FR-001 for filter rack details.
6. Base rail not shown. See drawing BR-001 for base rail details.



DIMENSIONS - In [mm]

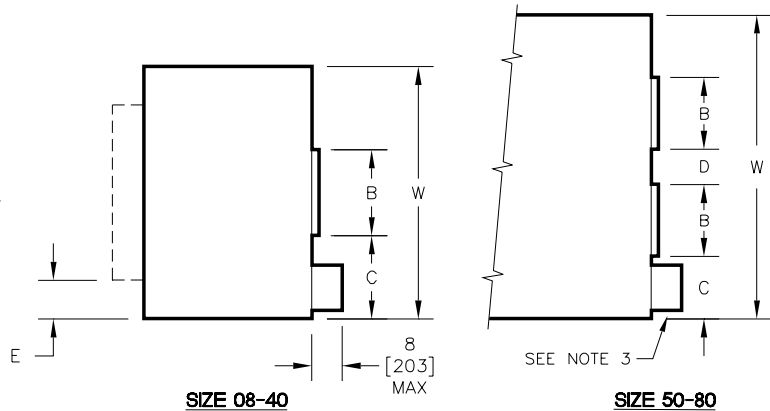
| UNIT SIZE | H | | W | L | A | B | C | D |
|-----------|-----------|-----------|------------|----------|--------------|---------------|----------------|-------------|
| | STD | INT ISO | | | | | | |
| 08 | 44 [1118] | 47 [1194] | 30 [762] | 24 [610] | 11-7/8 [302] | 8-7/8 [225] | 10-9/16 [268] | 5 [127] |
| 12 | 44 [1118] | 47 [1194] | 36 [914] | 24 [610] | 11-7/8 [302] | 12-5/8 [321] | 11-11/16 [297] | 5-1/2 [140] |
| 16 | 44 [1118] | 50 [1270] | 44 [1118] | 24 [610] | 14-1/8 [359] | 10-7/8 [276] | 16-9/16 [421] | 2-1/4 [57] |
| 20 | 50 [1270] | 53 [1346] | 50 [1270] | 30 [762] | 14-1/8 [359] | 13-7/8 [352] | 18-1/16 [459] | 2-3/4 [70] |
| 25 | 50 [1270] | 56 [1422] | 59 [1499] | 30 [762] | 16-5/8 [422] | 13-7/8 [352] | 22-9/16 [573] | 4-3/4 [121] |
| 30 | 56 [1422] | 59 [1499] | 59 [1499] | 30 [762] | 16-5/8 [422] | 15-5/8 [397] | 21-11/16 [551] | 4 [102] |
| 40 | 59 [1499] | 62 [1575] | 68 [1727] | 30 [762] | 16-5/8 [422] | 19-5/8 [498] | 24-3/16 [614] | 4-1/2 [114] |
| 50 | 59 [1499] | 62 [1575] | 80 [2032] | 30 [762] | 16-5/8 [422] | 40-1/8 [1019] | 19-15/16 [506] | 4-3/4 [121] |
| 60 | 59 [1499] | 62 [1575] | 89 [2261] | 30 [762] | 16-5/8 [422] | 44-5/8 [1133] | 22-3/16 [564] | 5 [127] |
| 80 | 65 [1651] | 71 [1803] | 102 [2591] | 30 [762] | 16-5/8 [422] | 55-5/8 [1413] | 23-3/16 [589] | 4 [102] |

NOTE: Refer to submittal drawings for alternate fan discharge dimensions.

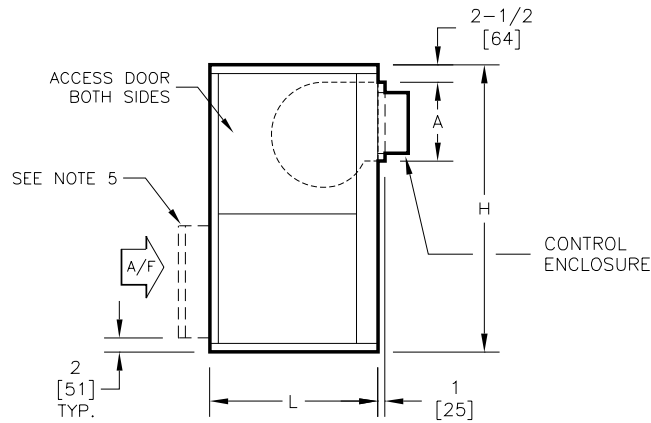
Model V Series B, Basic Unit, Discharge Arrangement 3

NOTES:

1. All dimensions are Inches [millimeters].
All dimensions $\pm 1/4"$ [6mm].
Metric values are soft conversion.
2. All drawings subject to change without prior notice.
3. Motor/drive location may be specified Left of Right Hand. Standard control enclosure location matches motor/drive position.
4. Coil and drain piping not shown for clarity. See drawings BCC-001 thru BCC-131.
5. Flat filter rack may be located at unit inlet as required. See drawing FR-001 for filter rack details.
6. Base rail not shown. See drawing BR-001 for base rail details.
7. Internal fan isolation not available with discharge argt. 3 and 7.



TOP VIEWS



SIDE VIEWS

DIMENSIONS - In [mm]

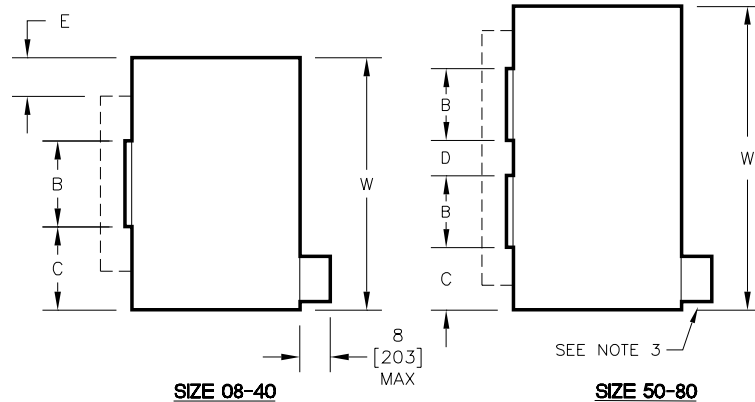
| UNIT SIZE | H | W | L | A | B | C | D | E |
|-----------|-----------|------------|----------|--------------|--------------|--------------|----------|-------------|
| 08 | 44 [1118] | 30 [762] | 24 [610] | 11-1/4 [286] | 8-1/4 [210] | 10-7/8 [276] | -- [--] | 5 [127] |
| 12 | 44 [1118] | 36 [914] | 24 [610] | 11-1/4 [286] | 12 [305] | 12 [305] | -- [--] | 5-1/2 [140] |
| 16 | 44 [1118] | 44 [1118] | 24 [610] | 13-1/2 [343] | 10-1/4 [260] | 16-7/8 [429] | -- [--] | 2-1/4 [57] |
| 20 | 50 [1270] | 50 [1270] | 30 [762] | 13-1/2 [343] | 13-1/4 [337] | 18-3/8 [467] | -- [--] | 2-3/4 [70] |
| 25 | 50 [1270] | 59 [1499] | 30 [762] | 16 [406] | 13-1/4 [337] | 22-7/8 [581] | -- [--] | 4-3/4 [121] |
| 30 | 56 [1422] | 59 [1499] | 30 [762] | 16 [406] | 15 [381] | 22 [559] | -- [--] | 4 [102] |
| 40 | 59 [1499] | 68 [1727] | 30 [762] | 16 [406] | 19 [483] | 24-1/2 [622] | -- [--] | 4-1/2 [114] |
| 50 | 59 [1499] | 80 [2032] | 30 [762] | 16 [406] | 13-1/4 [337] | 20-1/4 [514] | 13 [330] | 4-3/4 [121] |
| 60 | 59 [1499] | 89 [2261] | 30 [762] | 16 [406] | 15 [381] | 22-1/2 [572] | 14 [356] | 5 [127] |
| 80 | 65 [1651] | 102 [2591] | 30 [762] | 16 [406] | 19 [483] | 23-1/2 [597] | 17 [432] | 4 [102] |

NOTE: Refer to submittal drawings for alternate fan discharge dimensions.

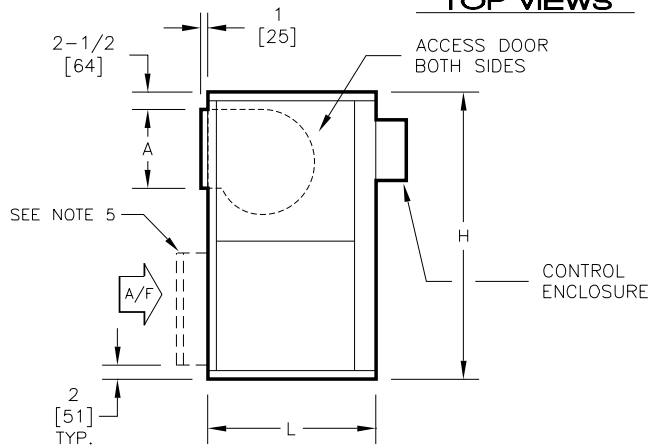
Model V Series B, Basic Unit, Discharge Arrangement 7

NOTES:

1. All dimensions are Inches [millimeters].
All dimensions $\pm 1/4"$ [6mm].
Metric values are soft conversion.
2. All drawings subject to change without prior notice.
3. Motor/drive location may be specified Left of Right Hand. Standard control enclosure location matches motor/drive position.
4. Coil and drain piping not shown for clarity. See drawings BCC-001 thru BCC-131.
5. Flat filter rack may be located at unit inlet as required. See drawing FR-001 for filter rack details.
6. Base rail not shown. See drawing BR-001 for base rail details.
7. Internal fan isolation not available with discharge argt. 3 and 7.



TOP VIEWS



SIDE VIEWS

DIMENSIONS - In [mm]

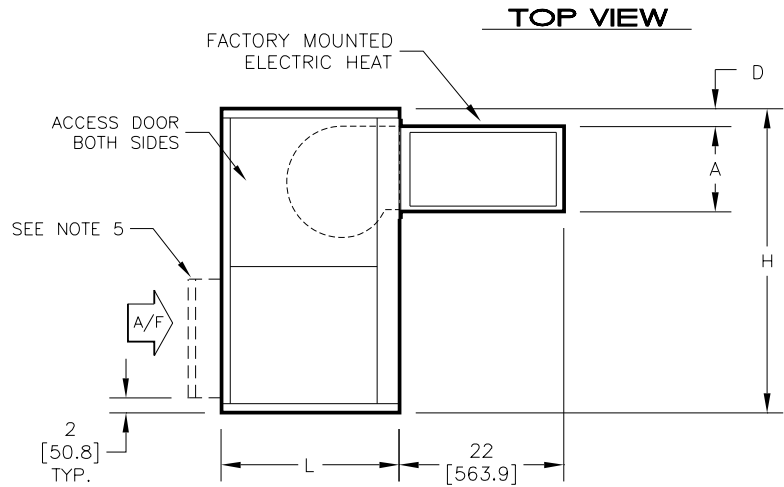
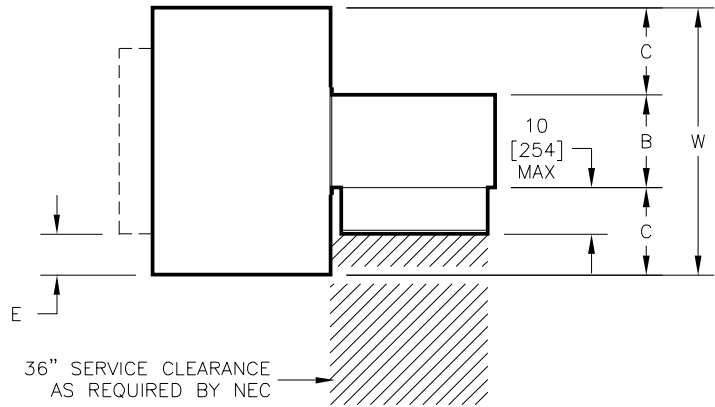
| UNIT SIZE | H | W | L | A | B | C | D | E |
|-----------|--------------|---------------|-------------|-----------------|-----------------|-----------------|-------------|----------------|
| 08 | 44 [1118] | 30 [762] | 24 [610] | 11-1/4 [286] | 8-1/4 [210] | 10-7/8 [276] | -- [--] | 5 [127] |
| 12 | 44 [1118] | 36 [914] | 24 [610] | 11-1/4 [286] | 12 [305] | 12 [305] | -- [--] | 5-1/2 [140] |
| 16 | 44 [1118] | 44 [1118] | 24 [610] | 13-1/2 [343] | 10-1/4 [260] | 16-7/8 [429] | -- [--] | 2-1/4 [57] |
| 20 | 50 [1270] | 50 [1270] | 30 [762] | 13-1/2 [343] | 13-1/4 [337] | 18-3/8 [467] | -- [--] | 2-3/4 [70] |
| 25 | 50 [1270] | 59 [1499] | 30 [762] | 16 [406] | 13-1/4 [337] | 22-7/8 [581] | -- [--] | 4-3/4 [121] |
| 30 | 56 [1422] | 59 [1499] | 30 [762] | 16 [406] | 15 [381] | 22 [559] | -- [--] | 4 [102] |
| 40 | 59 [1499] | 68 [1727] | 30 [762] | 16 [406] | 19 [483] | 24-1/2 [622] | -- [--] | 4-1/2 [114] |
| 50 | 59 [1499] | 80 [2032] | 30 [762] | 16 [406] | 13-1/4 [337] | 20-1/4 [514] | 13 [330] | 4-3/4 [121] |
| 60 | 59 [1499] | 89 [2261] | 30 [762] | 16 [406] | 15 [381] | 22-1/2 [572] | 14 [356] | 5 [127] |
| 80 | 65 [1651] | 102 [2591] | 30 [762] | 16 [406] | 19 [483] | 23-1/2 [597] | 17 [432] | 4 [102] |

NOTE: Refer to submittal drawings for alternate fan discharge dimensions.

Model V Series B, Basic Unit, Arrgt. 3, Blow-Thru E.H.

NOTES:

1. All dimensions are Inches [millimeters].
All dimensions $\pm 1/4"$ [6mm].
Metric values are soft conversion.
2. All drawings subject to change without prior notice.
3. Motor/drive location may be specified Left of Right Hand. Standard control enclosure location matches motor/drive position.
4. Coil and drain piping not shown for clarity. See drawings BCC-001 thru BCC-131.
5. Flat filter rack may be located at unit inlet as required. See drawing FR-001 for filter rack details.
6. Base rail not shown. See drawing BR-001 for base rail details.
7. Internal fan isolation not available with discharge argt. 3 and 7.



DIMENSIONS - In [mm]

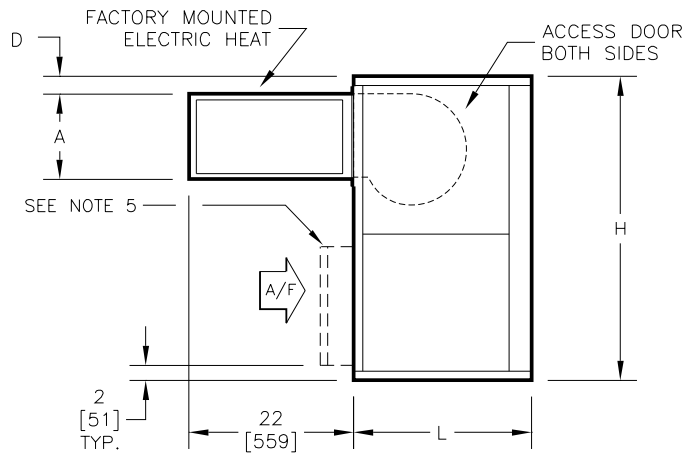
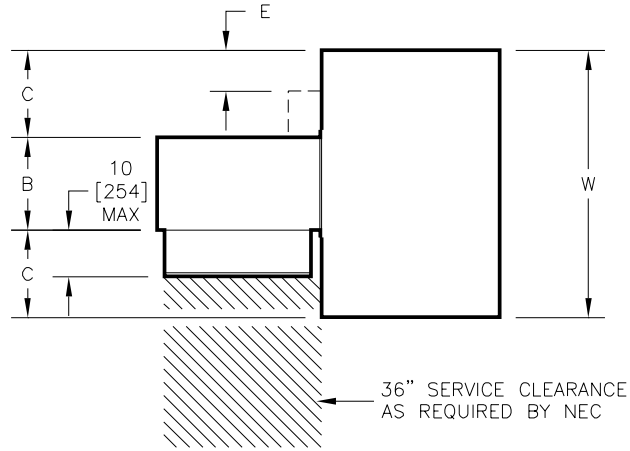
| UNIT SIZE | H | W | L | A | B | C | D | E |
|-----------|-----------|------------|----------|--------------|---------------|----------------|-------------|-------------|
| 08 | 44 [1118] | 30 [762] | 24 [610] | 11-7/8 [302] | 8-7/8 [225] | 10-9/16 [268] | 2-3/16 [56] | 5 [127] |
| 12 | 44 [1118] | 36 [914] | 24 [610] | 11-7/8 [302] | 12-5/8 [321] | 11-11/16 [297] | 2-3/16 [56] | 5-1/2 [140] |
| 16 | 44 [1118] | 44 [1118] | 24 [610] | 14-1/8 [359] | 10-7/8 [276] | 16-9/16 [421] | 2-3/16 [56] | 2-1/4 [57] |
| 20 | 50 [1270] | 50 [1270] | 30 [762] | 14-1/8 [359] | 13-7/8 [352] | 18-1/16 [459] | 2-3/16 [56] | 2-3/4 [70] |
| 25 | 50 [1270] | 59 [1499] | 30 [762] | 16-5/8 [422] | 13-7/8 [352] | 22-9/16 [573] | 2-3/16 [56] | 4-3/4 [121] |
| 30 | 56 [1422] | 59 [1499] | 30 [762] | 16-5/8 [422] | 15-5/8 [397] | 21-11/16 [551] | 2-3/16 [56] | 4 [102] |
| 40 | 59 [1499] | 68 [1727] | 30 [762] | 16-5/8 [422] | 19-5/8 [498] | 24-3/16 [614] | 2-3/16 [56] | 4-1/2 [114] |
| 50 | 59 [1499] | 80 [2032] | 30 [762] | 16-5/8 [422] | 40-1/8 [1019] | 19-15/16 [506] | 2-3/16 [56] | 4-3/4 [121] |
| 60 | 59 [1499] | 89 [2261] | 30 [762] | 16-5/8 [422] | 44-5/8 [1133] | 22-3/16 [564] | 2-3/16 [56] | 5 [127] |
| 80 | 65 [1651] | 102 [2591] | 30 [762] | 16-5/8 [422] | 55-5/8 [1413] | 23-3/16 [589] | 2-3/16 [56] | 4 [102] |

NOTE: Refer to submittal drawings for alternate fan discharge dimensions.

Model V Series B, Basic Unit, Arrgt. 7, Blow-Thru E.H.

NOTES:

1. All dimensions are Inches [millimeters].
All dimensions $\pm 1/4"$ [6mm].
Metric values are soft conversion.
2. All drawings subject to change without prior notice.
3. Motor/drive location may be specified Left of Right Hand. Standard control enclosure location matches motor/drive position.
4. Coil and drain piping not shown for clarity. See drawings BCC-001 thru BCC-131.
5. Flat filter rack may be located at unit inlet as required. See drawing FR-001 for filter rack details.
6. Base rail not shown. See drawing BR-001 for base rail details.
7. Internal fan isolation not available with discharge argt. 3 and 7.



DIMENSIONS - In [mm]

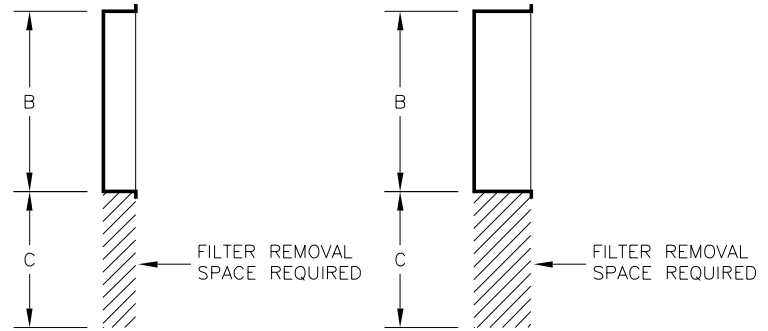
| UNIT SIZE | H | W | L | A | B | C | D | E |
|-----------|--------------|---------------|-------------|-----------------|------------------|-------------------|----------------|----------------|
| 08 | 44 [1118] | 30 [762] | 24 [610] | 11-7/8 [302] | 8-7/8 [225] | 10-9/16 [268] | 2-3/16 [56] | 5 [127] |
| 12 | 44 [1118] | 36 [914] | 24 [610] | 11-7/8 [302] | 12-5/8 [321] | 11-11/16 [297] | 2-3/16 [56] | 5-1/2 [140] |
| 16 | 44 [1118] | 44 [1118] | 24 [610] | 14-1/8 [359] | 10-7/8 [276] | 16-9/16 [421] | 2-3/16 [56] | 2-1/4 [57] |
| 20 | 50 [1270] | 50 [1270] | 30 [762] | 14-1/8 [359] | 13-7/8 [352] | 18-1/16 [459] | 2-3/16 [56] | 2-3/4 [70] |
| 25 | 50 [1270] | 59 [1499] | 30 [762] | 16-5/8 [422] | 13-7/8 [352] | 22-9/16 [573] | 2-3/16 [56] | 4-3/4 [121] |
| 30 | 56 [1422] | 59 [1499] | 30 [762] | 16-5/8 [422] | 15-5/8 [397] | 21-11/16 [551] | 2-3/16 [56] | 4 [102] |
| 40 | 59 [1499] | 68 [1727] | 30 [762] | 16-5/8 [422] | 19-5/8 [498] | 24-3/16 [614] | 2-3/16 [56] | 4-1/2 [114] |
| 50 | 59 [1499] | 80 [2032] | 30 [762] | 16-5/8 [422] | 40-1/8 [1019] | 19-15/16 [506] | 2-3/16 [56] | 4-3/4 [121] |
| 60 | 59 [1499] | 89 [2261] | 30 [762] | 16-5/8 [422] | 44-5/8 [1133] | 22-3/16 [564] | 2-3/16 [56] | 5 [127] |
| 80 | 65 [1651] | 102 [2591] | 30 [762] | 16-5/8 [422] | 55-5/8 [1413] | 23-3/16 [589] | 2-3/16 [56] | 4 [102] |

NOTE: Refer to submittal drawings for alternate fan discharge dimensions.

Model H/V Series B, Standard Flat Filter Rack

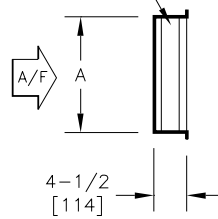
NOTES:

- All dimensions are Inches [millimeters].
All dimensions $\pm 1/4"$ [6mm].
Metric values are soft conversion.
- All drawings subject to change without prior notice.
- Flat filter rack may be located at unit inlet as required.
- Standard rack will accept nominal 1" or 2" thick filters.
- High eff. rack will accept nominal 2" and/or 4" thick filters.
- High eff. rack must be installed in a 12" spacer section on "HM" and "VM" units.
- 1" duct connection space provided on entering side of rack for connection of field ductwork.
- Hinged cover provided on both sides of externally mounted filter racks. Internal standard filter racks have pivoting bar type filter retainer.
- See individual unit submittal drawings for location of filter rack on unit.

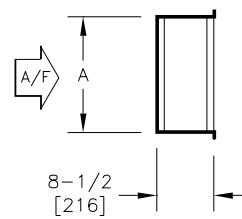


TOP VIEWS

SEE NOTE 8



STANDARD



HIGH EFF.

SIDE VIEWS

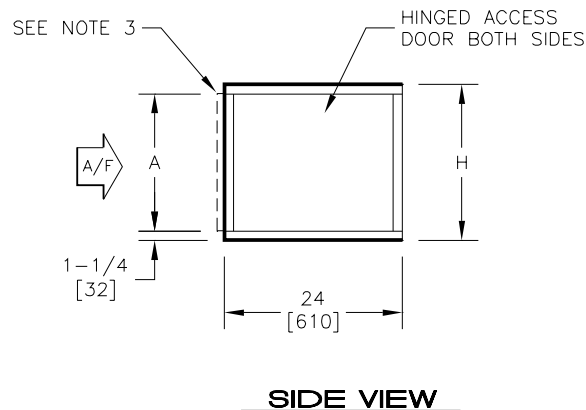
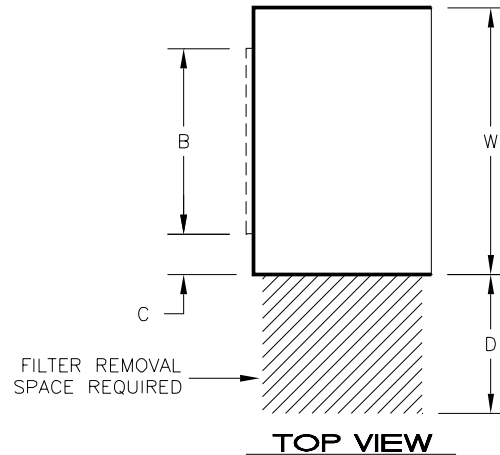
DIMENSIONS - In [mm]

| UNIT SIZE | A | B | C | QTY & SIZE FILTERS |
|-----------|-------------|------------------|-------------|----------------------------|
| 08 | 16 [406] | 20 [508] | 20 [508] | (1) 16 X 20 |
| 12 | 16 [406] | 25 [635] | 25 [635] | (1) 16 X 25 |
| 16 | 16 [406] | 39-1/2 [1003] | 20 [508] | (2) 16 X 20 |
| 20 | 16 [406] | 44-1/2 [1130] | 25 [635] | (1) 16 X 20 (1) 16 X 25 |
| 25 | 20 [508] | 49-1/2 [1257] | 20 [508] | (2) 20 X 25 |
| 30 | 25 [635] | 51 [1295] | 25 [635] | (2) 16 X 25 (1) 20 X 25 |
| 40 | 25 [635] | 59 [1499] | 25 [635] | (3) 20 X 25 |
| 50 | 25 [635] | 70-1/2 [1791] | 20 [508] | (2) 16 X 25 (2) 20 X 25 |
| 60 | 25 [635] | 79 [2007] | 20 [508] | (4) 20 X 25 |
| 80 | 32 [914] | 94 [2388] | 25 [635] | (6) 16 X 25 (2) 16 X 20 |

Model H/V Series B, V-Bank Filter Section

NOTES:

1. All dimensions are Inches [millimeters].
All dimensions $\pm 1/4"$ [6mm].
Metric values are soft conversion.
2. All drawings subject to change without prior notice.
3. A 1" duct collar is provided when Angle Filter Section is located at unit inlet.
4. Base rail not shown. See drawing BR-001 for base rail details.



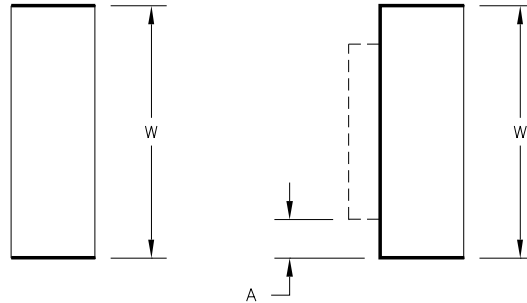
DIMENSIONS - In [mm]

| UNIT SIZE | H | W | A | B | C | D | QTY & SIZE FILTERS |
|-----------|-------------|---------------|-----------------|--------------|------------|-------------|------------------------------------|
| 08 | 21 [533] | 30 [762] | 18-1/2 [470] | 20 [508] | 5 [127] | 20 [508] | (2) 16 X 25 X 2 |
| 12 | 21 [533] | 36 [914] | 18-1/2 [470] | 26 [660] | 5 [127] | 25 [635] | (2) 16 X 25 X 2 |
| 16 | 21 [533] | 44 [1118] | 18-1/2 [470] | 34 [864] | 5 [127] | 20 [508] | (4) 16 X 20 X 2 |
| 20 | 21 [533] | 50 [1270] | 18-1/2 [470] | 40 [1016] | 5 [127] | 25 [635] | (2) 16 X 20 X 2 (2) 16 X 25 X 2 |
| 25 | 30 [762] | 59 [1499] | 27-1/2 [699] | 49 [1245] | 5 [127] | 25 [635] | (2) 16 X 20 X 2 (4) 20 X 20 X 2 |
| 30 | 30 [762] | 59 [1499] | 27-1/2 [699] | 51 [1295] | 4 [102] | 25 [635] | (2) 16 X 20 X 2 (4) 20 X 20 X 2 |
| 40 | 30 [762] | 68 [1727] | 27-1/2 [699] | 58 [1473] | 5 [127] | 25 [635] | (8) 16 X 20 X 2 |
| 50 | 30 [762] | 80 [2032] | 27-1/2 [699] | 70 [1778] | 5 [127] | 25 [635] | (2) 16 X 20 X 2 (6) 20 X 20 X 2 |
| 60 | 30 [762] | 89 [2261] | 27-1/2 [699] | 79 [2007] | 5 [127] | 25 [635] | (2) 20 X 25 X 2 (6) 20 X 20 X 2 |
| 80 | 36 [914] | 102 [2591] | 33-1/2 [851] | 92 [2337] | 5 [127] | 25 [635] | (12) 20 X 25 X 2 |

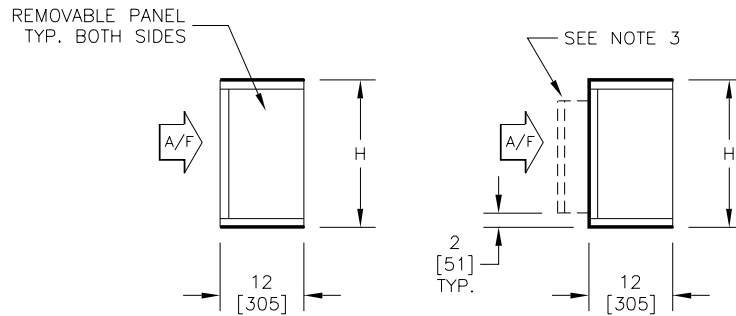
Model H/V Series B, 12" Blank Plenum

NOTES:

1. All dimensions are Inches [millimeters].
All dimensions $\pm 1/4"$ [6mm].
Metric values are soft conversion.
2. All drawings subject to change without prior notice.
3. Flat filter rack may be located at unit inlet as required. See drawing FR-001 for filter rack details.
4. Base rail not shown. See drawing BR-001 for base rail details.
5. 12" plenum is intended for use with a heating coil (2 rows max) or as a spacer section, and is not available with a drain pan.
6. Coil piping not shown for clarity. See drawings BCC-001 thru BCC-131.



TOP VIEWS



SPACER SECTION

COIL SECTION

SIDE VIEWS

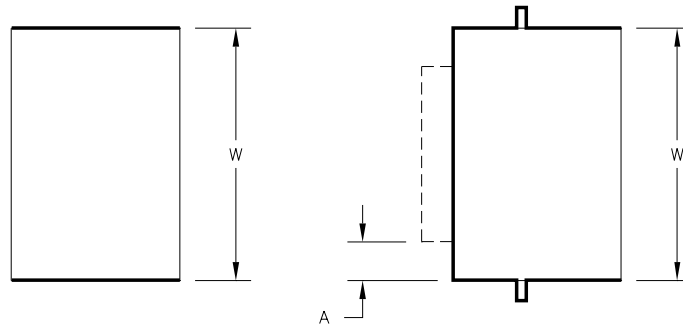
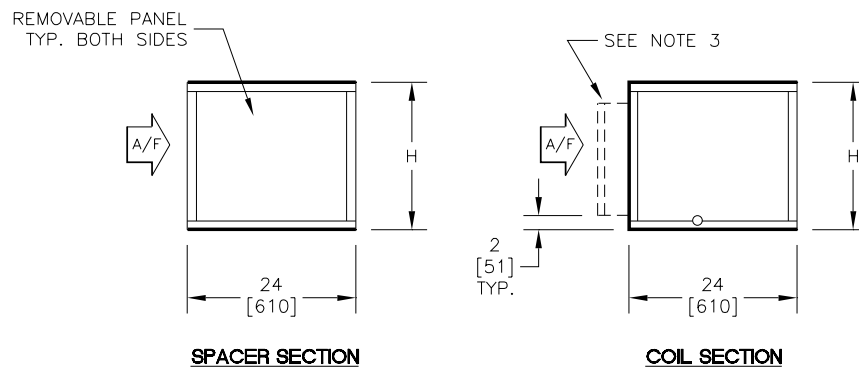
DIMENSIONS - In [mm]

| UNIT SIZE | H | W | A |
|-----------|-------------|---------------|----------------|
| 08 | 21 [533] | 30 [762] | 5 [127] |
| 12 | 21 [533] | 36 [914] | 5-1/2 [140] |
| 16 | 21 [533] | 44 [1118] | 2-1/4 [57] |
| 20 | 21 [533] | 50 [1270] | 2-3/4 [70] |
| 25 | 30 [762] | 59 [1499] | 4-3/4 [121] |
| 30 | 30 [762] | 59 [1499] | 4 [102] |
| 40 | 30 [762] | 68 [1727] | 4-1/2 [114] |
| 50 | 30 [762] | 80 [2032] | 4-3/4 [121] |
| 60 | 30 [762] | 89 [2261] | 5 [127] |
| 80 | 36 [914] | 102 [2591] | 4 [102] |

Model H/V Series B, 24" Blank Plenum

NOTES:

1. All dimensions are Inches [millimeters].
All dimensions $\pm 1/4"$ [6mm].
Metric values are soft conversion.
2. All drawings subject to change without prior notice.
3. Flat filter rack may be located at unit inlet as required. See drawing FR-001 for filter rack details.
4. Base rail not shown. See drawing BR-001 for base rail details.
5. 24" plenum is available as a coil section (8 total rows max) with a drain pan, and as a spacer section without a drain pan.
6. Coil piping not shown for clarity. See drawings BCC-001 thru BCC-131.


TOP VIEWS

SIDE VIEWS

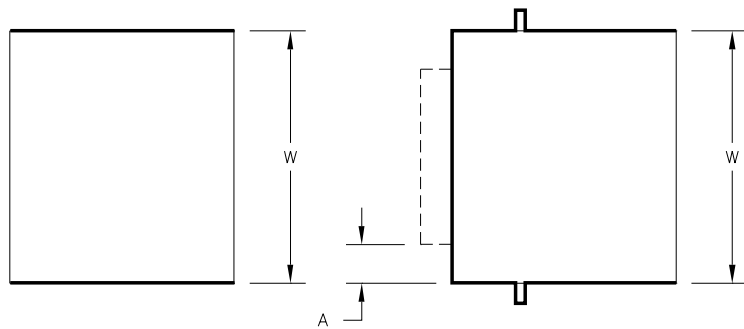
DIMENSIONS - In [mm]

| UNIT SIZE | H | W | A |
|-----------|-------------|---------------|----------------|
| 08 | 21 [533] | 30 [762] | 5 [127] |
| 12 | 21 [533] | 36 [914] | 5-1/2 [140] |
| 16 | 21 [533] | 44 [1118] | 2-1/4 [57] |
| 20 | 21 [533] | 50 [1270] | 2-3/4 [70] |
| 25 | 30 [762] | 59 [1499] | 4-3/4 [121] |
| 30 | 30 [762] | 59 [1499] | 4 [102] |
| 40 | 30 [762] | 68 [1727] | 4-1/2 [114] |
| 50 | 30 [762] | 80 [2032] | 4-3/4 [121] |
| 60 | 30 [762] | 89 [2261] | 5 [127] |
| 80 | 36 [914] | 102 [2591] | 4 [102] |

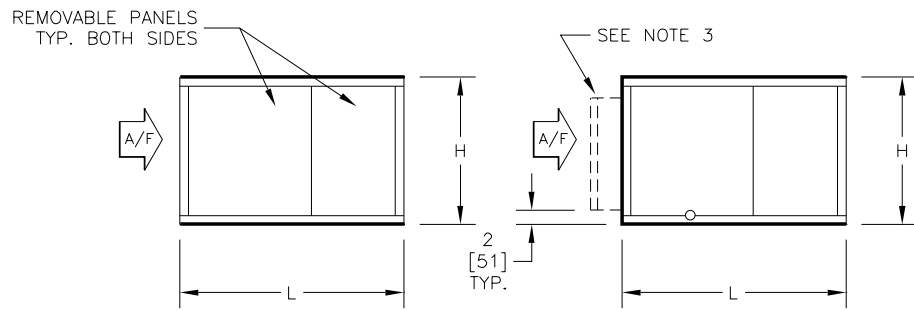
Model H/V Series B, Standard Blank Plenum

NOTES:

1. All dimensions are Inches [millimeters].
All dimensions $\pm 1/4"$ [6mm].
Metric values are soft conversion.
2. All drawings subject to change without prior notice.
3. Flat filter rack may be located at unit inlet as required. See drawing FR-001 for filter rack details.
4. Base rail not shown. See drawing BR-001 for base rail details.
5. Standard blank plenum is available as a coil section (8 total rows max) with a drain pan, and as a spacer section without a drain pan.
6. Coil piping not shown for clarity. See drawings BCC-001 thru BCC-131.



TOP VIEWS



SPACER SECTION

COIL SECTION

SIDE VIEWS

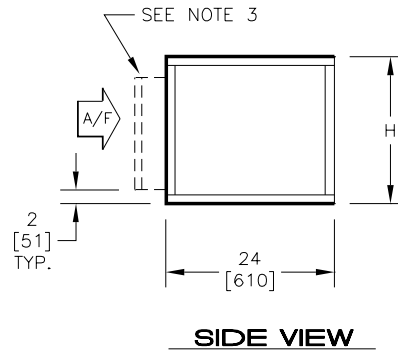
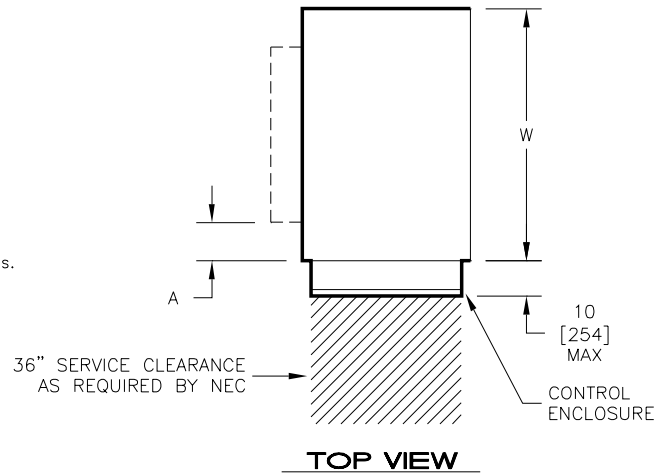
DIMENSIONS - In [mm]

| UNIT SIZE | H | W | L | A |
|-----------|-------------|---------------|-------------|----------------|
| 08 | 21 [533] | 30 [762] | 32 [813] | 5 [127] |
| 12 | 21 [533] | 36 [914] | 32 [813] | 5-1/2 [140] |
| 16 | 21 [533] | 44 [1118] | 32 [813] | 2-1/4 [57] |
| 20 | 21 [533] | 50 [1270] | 32 [813] | 2-3/4 [70] |
| 25 | 30 [762] | 59 [1499] | 38 [965] | 4-3/4 [121] |
| 30 | 30 [762] | 59 [1499] | 38 [965] | 4 [102] |
| 40 | 30 [762] | 68 [1727] | 38 [965] | 4-1/2 [114] |
| 50 | 30 [762] | 80 [2032] | 38 [965] | 4-3/4 [121] |
| 60 | 30 [762] | 89 [2261] | 38 [965] | 5 [127] |
| 80 | 36 [914] | 102 [2591] | 38 [965] | 4 [102] |

Model H/V Series B, Draw-Thru Electric Heat Section

NOTES:

1. All dimensions are Inches [millimeters].
All dimensions $\pm 1/4"$ [6mm].
Metric values are soft conversion.
2. All drawings subject to change without prior notice.
3. Flat filter rack may be located at unit inlet as required. See drawing FR-001 for filter rack details.
4. Base rail not shown. See drawing BR-001 for base rail details.
5. Some combinations of heater features and options may require that the heater section be furnished in the standard blank plenum casing. See drawing SBP-001 for dimensions.



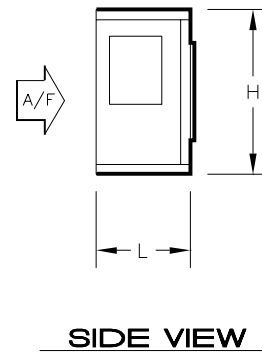
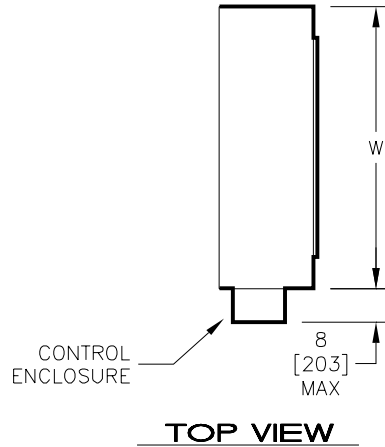
DIMENSIONS - In [mm]

| UNIT SIZE | H | W | A |
|-----------|-------------|---------------|----------------|
| 08 | 21 [533] | 30 [762] | 5 [127] |
| 12 | 21 [533] | 36 [914] | 5-1/2 [140] |
| 16 | 21 [533] | 44 [1118] | 2-1/4 [57] |
| 20 | 21 [533] | 50 [1270] | 2-3/4 [70] |
| 25 | 30 [762] | 59 [1499] | 4-3/4 [121] |
| 30 | 30 [762] | 59 [1499] | 4 [102] |
| 40 | 30 [762] | 68 [1727] | 4-1/2 [114] |
| 50 | 30 [762] | 80 [2032] | 4-3/4 [121] |
| 60 | 30 [762] | 89 [2261] | 5 [127] |
| 80 | 36 [914] | 102 [2591] | 4 [102] |

Model H Series B, Standard Supply Plenum

NOTES:

1. All dimensions are Inches [millimeters].
All dimensions $\pm 1/4"$ [6mm].
Metric values are soft conversion.
2. All drawings subject to change without prior notice.
3. Base rail not shown. See drawing BR-001 for base rail details.
4. Supply plenum shipped attached to unit.
5. Supply plenum includes a steel double deflection supply grille.
6. Supply plenum may not be combined with blow-thru electric heat option.



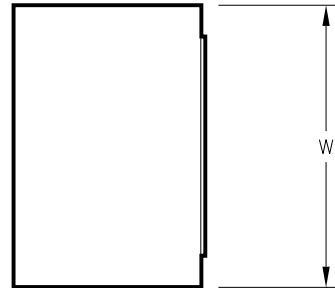
DIMENSIONS - In [mm]

| UNIT SIZE | H | W | L | SUPPLY GRILLE |
|-----------|-------------|---------------|-------------|-------------------------|
| 08 | 21 [533] | 30 [762] | 9 [229] | 16 X 12 [406 X 305] |
| 12 | 21 [533] | 36 [914] | 9 [229] | 20 X 12 [508 X 305] |
| 16 | 21 [533] | 44 [1118] | 12 [305] | 26 X 12 [660 X 305] |
| 20 | 21 [533] | 50 [1270] | 12 [305] | 28 X 14 [711 X 356] |
| 25 | 30 [762] | 59 [1499] | 15 [381] | 24 X 18 [610 X 457] |
| 30 | 30 [762] | 59 [1499] | 15 [381] | 24 X 18 [610 X 457] |
| 40 | 30 [762] | 68 [1727] | 15 [381] | 32 X 18 [813 X 457] |
| 50 | 30 [762] | 80 [2032] | 15 [381] | 40 X 18 [1016 X 457] |
| 60 | 30 [762] | 89 [2261] | 15 [381] | 48 X 18 [1219 X 457] |
| 80 | 36 [914] | 102 [2591] | 15 [381] | 58 X 22 [1473 X 559] |

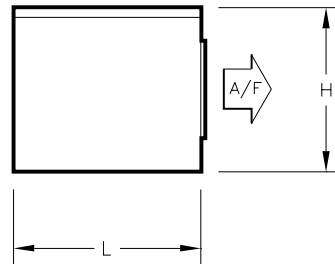
Model V Series B, Standard Supply Plenum

NOTES:

1. All dimensions are Inches [millimeters].
All dimensions $\pm 1/4"$ [6mm].
Metric values are soft conversion.
2. All drawings subject to change without prior notice.
3. Supply plenum shipped attached to unit.
4. Supply plenum includes a steel double deflection supply grille.
5. Supply plenum may not be combined with blow-thru electric heat option.



TOP VIEW



SIDE VIEW

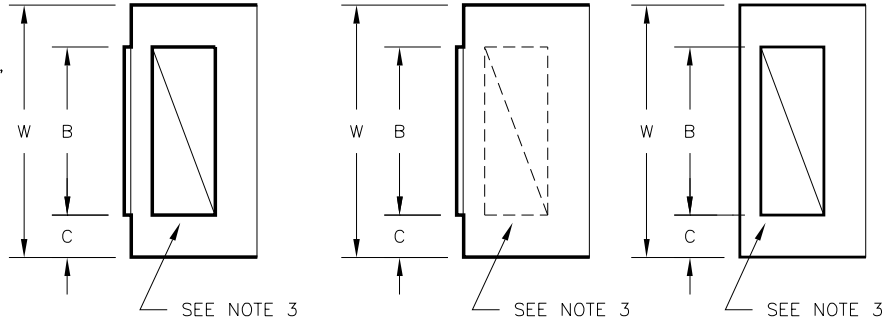
DIMENSIONS - In [mm]

| UNIT SIZE | H | W | L | SUPPLY GRILLE |
|-----------|-------------|---------------|-------------|-------------------------|
| 08 | 12 [305] | 30 [762] | 24 [610] | 18 X 8 [457 X 203] |
| 12 | 12 [305] | 36 [914] | 24 [610] | 22 X 8 [559 X 203] |
| 16 | 14 [356] | 44 [1118] | 24 [610] | 24 X 10 [610 X 254] |
| 20 | 16 [406] | 50 [1270] | 30 [762] | 24 X 12 [610 X 305] |
| 25 | 16 [406] | 59 [1499] | 30 [762] | 30 X 12 [762 X 305] |
| 30 | 16 [406] | 59 [1499] | 30 [762] | 36 X 12 [914 X 305] |
| 40 | 18 [457] | 68 [1727] | 30 [762] | 42 X 14 [1067 X 356] |
| 50 | 18 [457] | 80 [2032] | 30 [762] | 54 X 14 [1372 X 356] |
| 60 | 18 [457] | 89 [2261] | 30 [762] | 60 X 14 [1524 X 356] |
| 80 | 20 [508] | 102 [2591] | 30 [762] | 72 X 16 [1829 X 406] |

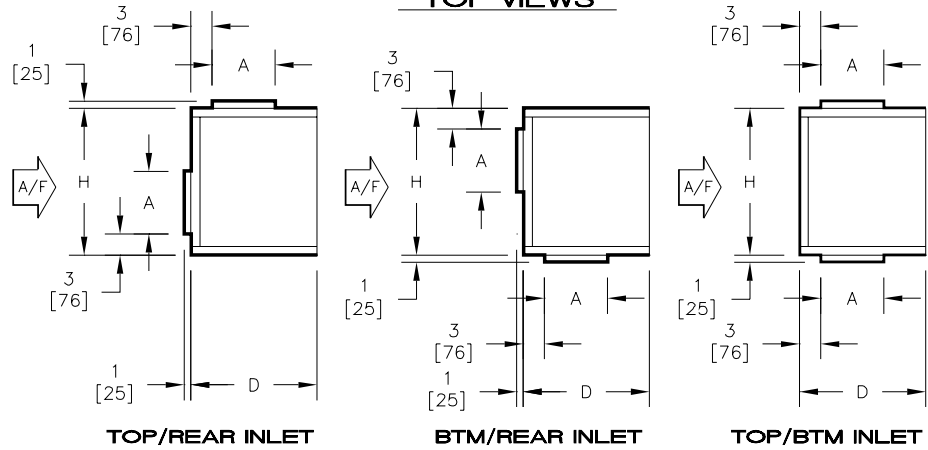
Model HM/VM Series B, Standard Mixing Box

NOTES:

- All dimensions are Inches [millimeters].
All dimensions $\pm 1/4"$ [6mm].
Metric values are soft conversion.
- All drawings subject to change without prior notice.
- Damper drive rods are internal, located on both sides of unit.
- Mixing box includes space for standard flat filter rack.
- Base rail not shown. See drawing BR-001 for details.



TOP VIEWS



SIDE VIEWS

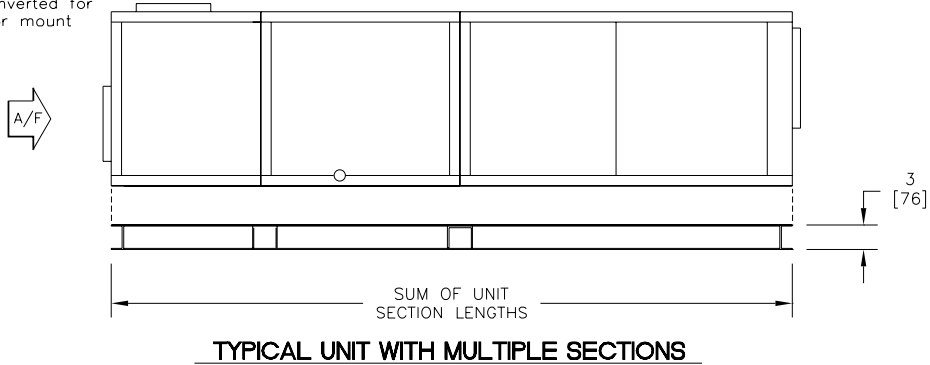
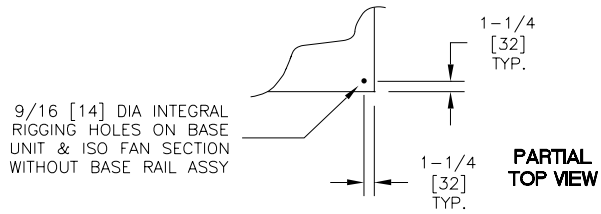
DIMENSIONS - In [mm]

| UNIT SIZE | H | W | A | B | C | D |
|-----------|-------------|---------------|-------------|--------------|-------------|-------------|
| 08 | 21 [533] | 30 [762] | 9 [229] | 18 [457] | 6 [152] | 18 [457] |
| 12 | 21 [533] | 36 [914] | 9 [229] | 24 [610] | 6 [152] | 18 [457] |
| 16 | 21 [533] | 44 [1118] | 9 [229] | 30 [762] | 7 [178] | 18 [457] |
| 20 | 21 [533] | 50 [1270] | 12 [305] | 36 [914] | 7 [178] | 21 [533] |
| 25 | 30 [762] | 59 [1499] | 12 [305] | 45 [1143] | 7 [178] | 21 [533] |
| 30 | 30 [762] | 59 [1499] | 12 [305] | 45 [1143] | 7 [178] | 21 [533] |
| 40 | 30 [762] | 68 [1727] | 15 [381] | 48 [1219] | 10 [254] | 24 [610] |
| 50 | 30 [762] | 80 [2032] | 15 [381] | 66 [1676] | 7 [178] | 24 [610] |
| 60 | 30 [762] | 89 [2261] | 15 [381] | 75 [1905] | 7 [178] | 24 [610] |
| 80 | 36 [914] | 102 [2591] | 18 [457] | 88 [2235] | 7 [178] | 27 [686] |

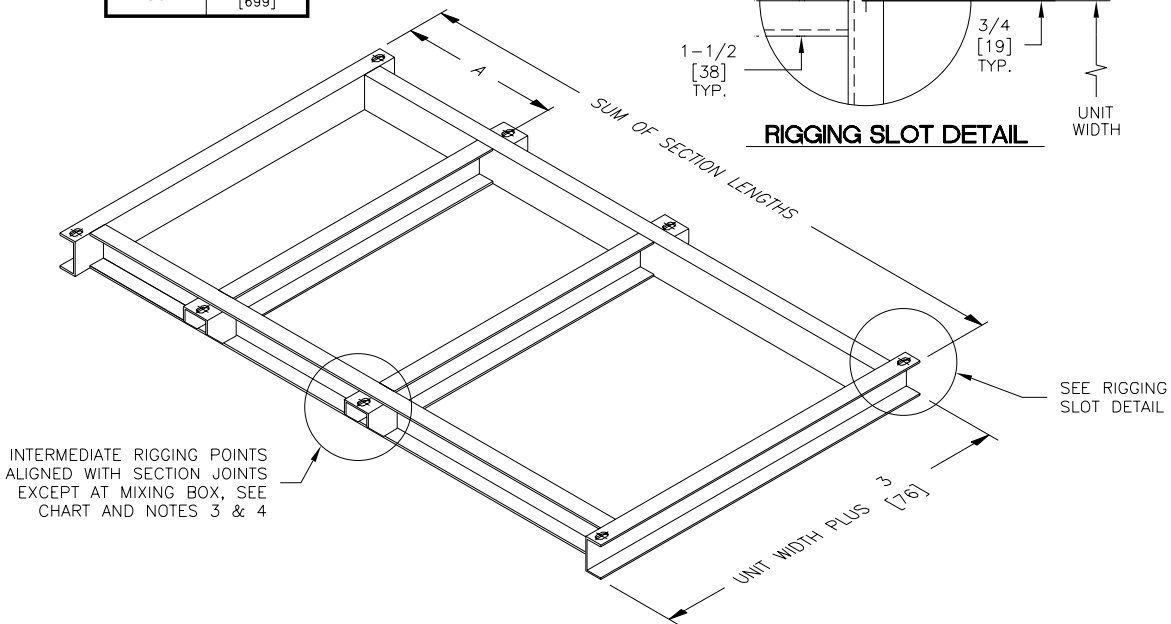
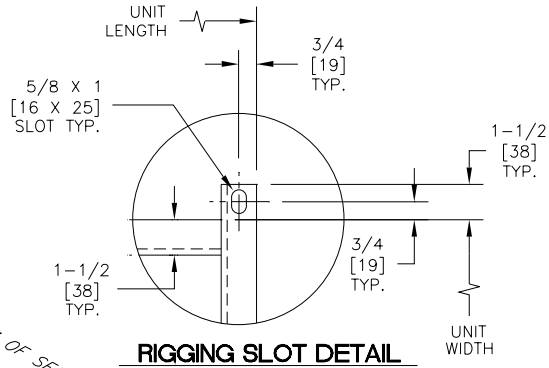
Model H/V Series B, Base Rail Assembly

NOTES:

1. All dimensions are Inches [millimeters].
All dimensions $\pm 1/4"$ [6mm].
Metric values are soft conversion.
2. All drawings subject to change without prior notice.
3. Intermediate rigging points provided at each section joint except supply plenum.
4. See chart below for actual location of rigging point at mixing box.
5. Horizontal unit shown, typical for both horizontal and vertical units.
6. Base rail is inverted for use with floor mount isolators.



| UNIT SIZE | A |
|-----------|--------------|
| 08/16 | 18-1/2 [470] |
| 20/30 | 21-1/2 [546] |
| 40/60 | 24-1/2 [622] |
| 80 | 27-1/2 [699] |



Motor Electrical Data

| MOTOR HP | SINGLE PHASE AMPS | | | | THREE PHASE AMPS - ODP | | | | THREE PHASE AMPS - ODP E+ | | | |
|----------|-------------------|------|------|------|------------------------|------|------|------|---------------------------|------|------|------|
| | 115V | 208V | 230V | 277V | 208V | 230V | 460V | 575V | 208V | 230V | 460V | 575V |
| 1/3 | 6.6 | 3.0 | 3.3 | 2.3 | 1.4 | 1.6 | 0.8 | 0.6 | -- | -- | -- | -- |
| 1/2 | 9.0 | 4.0 | 4.5 | 3.0 | 1.9 | 2.2 | 1.1 | 0.7 | -- | -- | -- | -- |
| 3/4 | 11.0 | 5.4 | 5.5 | 4.4 | 2.5 | 2.6 | 1.3 | 0.9 | -- | -- | -- | -- |
| 1 | 12.6 | 6.2 | 6.3 | 5.2 | 3.4 | 3.4 | 1.7 | 1.4 | 3.1 | 2.7 | 1.4 | 1.1 |
| 1 1/2 | 15.0 | 7.8 | 7.5 | 7.6 | 5.0 | 5.0 | 2.5 | 2.0 | 4.5 | 3.9 | 2.0 | 1.6 |
| 2 | -- | -- | -- | -- | 6.4 | 6.0 | 3.0 | 2.4 | 6.0 | 5.2 | 2.6 | 2.1 |
| 3 | -- | -- | -- | -- | -- | -- | -- | -- | 9.8 | 8.6 | 4.3 | 3.4 |
| 5 | -- | -- | -- | -- | -- | -- | -- | -- | 14.8 | 12.8 | 6.4 | 5.1 |
| 7 1/2 | -- | -- | -- | -- | -- | -- | -- | -- | 22.3 | 19.4 | 9.7 | 7.8 |
| 10 | -- | -- | -- | -- | -- | -- | -- | -- | 29.7 | 25.8 | 12.9 | 10.3 |

NOTES:

1. Amps shown above are NEC full load amps for standard motor. Actual motor nameplate amps may vary.
2. Consult factory for applications requiring special motors.

Unit Weight Data¹ (lbs.)

| | UNIT SIZE | | | | | | | | | | |
|---------------------------|----------------|------|------|------|------|------|------|------|------|-------|------|
| | 08 | 12 | 16 | 20 | 25 | 30 | 40 | 50 | 60 | 80 | |
| BASIC UNIT | 135 | 157 | 177 | 200 | 280 | 290 | 360 | 443 | 484 | 575 | |
| DAMPER SECTION | 46 | 54 | 65 | 90 | 105 | 105 | 162 | 189 | 210 | 277 | |
| BLOW THRU ELECTRIC HEATER | 42 | 42 | 42 | 50 | 55 | 55 | 62 | 110 | 120 | 145 | |
| DRAW THRU ELECTRIC HEATER | 98 | 109 | 121 | 140 | 166 | 166 | 191 | 260 | 289 | 345 | |
| 12" BLANK SECTION | 16 | 18 | 21 | 22 | 28 | 28 | 30 | 34 | 37 | 41 | |
| 24" BLANK SECTION | 46 | 52 | 59 | 65 | 81 | 81 | 89 | 100 | 109 | 120 | |
| STANDARD BLANK SECTION | 69 | 77 | 88 | 95 | 159 | 159 | 175 | 196 | 213 | 244 | |
| V-BANK FILTER | 53 | 59 | 68 | 74 | 95 | 95 | 105 | 118 | 127 | 142 | |
| COIL | 1 ROW | 12 | 14 | 17 | 21 | 25 | 28 | 36 | 41 | 46 | 62 |
| | COIL WTR. WGT. | 1.7 | 2.2 | 2.8 | 3.7 | 4.5 | 6.1 | 8.3 | 9.6 | 11.5 | 17.3 |
| | 2 ROW | 13 | 17 | 21 | 28 | 32 | 36 | 49 | 57 | 65 | 96 |
| | COIL WTR. WGT. | 3.7 | 4.6 | 5.9 | 8.0 | 9.5 | 11.7 | 15.5 | 18.2 | 20.2 | 33.7 |
| | 4 ROW | 26 | 34 | 37 | 50 | 59 | 65 | 87 | 105 | 117 | 180 |
| | COIL WTR. WGT. | 7.3 | 9.1 | 11.5 | 15.7 | 18.9 | 21.6 | 28.3 | 33.7 | 39.8 | 64.6 |
| | 6 ROW | 38 | 51 | 58 | 77 | 92 | 102 | 140 | 163 | 180 | 280 |
| | COIL WTR. WGT. | 10.7 | 13.4 | 17.2 | 23.2 | 28.2 | 32.3 | 43.1 | 51.2 | 57.2 | 91.7 |
| 8 ROW | 51 | 65 | 76 | 100 | 119 | 132 | 181 | 211 | 232 | 362 | |
| COIL WTR. WGT. | 14.1 | 17.7 | 22.7 | 30.7 | 37.3 | 42.2 | 55.9 | 66.6 | 74.7 | 118.8 | |

NOTES:

1. Unit weight data is shipping weight in pounds.
2. For double wall weight, add all sections together and multiply by 1.15.
3. For base rail weight, add all sections together and multiply by 1.10.

Motor/Drive Weight Data¹ (lbs.)

| TYPE | MOTOR HP | | | | | | | | | |
|--------------|----------|-----|-----|----|-------|----|----|----|-------|-----|
| | 1/3 | 1/2 | 3/4 | 1 | 1 1/2 | 2 | 3 | 5 | 7 1/2 | 10 |
| SINGLE PHASE | 37 | 37 | 45 | 47 | 55 | 51 | -- | -- | -- | -- |
| THREE PHASE | 34 | 34 | 40 | 43 | 46 | 53 | 81 | 94 | 163 | 178 |

NOTES:

1. Includes motor, pulleys, belts, and motor base.

GENERAL

Furnish and install ENVIRO-TEC® Model H/HM Horizontal & V/VM Vertical Belt Drive Air Handling Units where indicated on the plans and specifications. Units shall be completely factory assembled and tested and shipped as one piece except where noted.

All units shall be capable of meeting or exceeding the scheduled capacities for cooling, heating and air delivery. All unit dimensions for each model and size shall be considered maximums.

All units shall be of "draw-thru" design with coils, fans, motor/drive and drain pan completely contained within the unit cabinet.

Electric heat can be in the draw-thru or the blow-thru configuration.

Units shall be ETL listed in compliance with UL/ANSI Std. 1995.

All coils shall be certified and tagged with an ARI 410 label.

CONSTRUCTION

All units shall be fabricated of minimum 18 gauge galvanized steel with a G 60 zinc coating, able to withstand a 125 hour salt spray test per ASTM B-117. Panels shall be die-formed "multi-bend" construction for optimum strength and rigidity. All exterior panels shall be (single wall) (double wall) insulated with 1" thick, 4 pound per cubic foot skin, dual density fiberglass insulation, rated for a maximum air

velocity of 3600 f.p.m. In addition to using adhesive complying with NFPA 90A, the insulation shall incorporate a secondary mechanical fastener attached to the unit casing wall (clench nail). Adhesive as the only method of fastening the insulation to the casing is not acceptable. Minimum thermal conductivity shall be 0.24. Insulation must meet all requirements of UL 181 and NFPA 90A. All units shall have minimum 1" duct collars on discharge and return. Double wall liner shall be minimum 22 gauge G 60 Galvanized steel.

All access panels shall be fully insulated and attached with (standard) (hinged with lift & turn) fasteners on at least two opposite sides. No single access panel shall be larger than 30" x 36" for safety and ease of handling. No coil or drain piping or electrical connections shall pass through any access panel.

Each unit shall be furnished with a one-piece heavy gauge (galvanized steel) (304 stainless steel) (IAQ 304 stainless steel) drain pan with welded corner construction. All interior galvanized steel drain pan surfaces shall be coated with "black mastic" to retard corrosion and enhance insulating efficiency.

All single wall units shall be provided with 9/16" diameter hanger rod holes in the top and bottom panels for "through-bolt" type suspension installation. Double wall units require a trapeze for hanging. (Rubber-in-shear)

(Spring) type unit mounting vibration isolators shall be provided by the unit manufacturer.

FAN ASSEMBLY

All units shall be furnished with standard (alternate) selection double inlet forward curved centrifugal blowers statically and dynamically balanced for smooth operation. All blower wheels shall have two set screws and shall be mounted on solid steel shafting rotating in ball bearings with a minimum design average life of 100,000 hours. All standard blower assemblies shall have resilient mounted cartridge type permanently lubricated ball bearings. All heavy duty blower assemblies shall have relubable type rigid mounted pillow block ball bearings.

FAN MOTOR & DRIVE ASSEMBLY

All fan motors shall be standard NEMA design motors of the horsepower listed in the equipment schedule. All motors shall be 1750 RPM, 60 hertz (ODP) (ODP E+) single speed motors rated for continuous duty. All motors shall be reversible rotation type.

Three phase motors shall be "across-the-line" start type in 56 Frame size up through two horsepower. Three horsepower and larger shall be standard "T" frame with rigid mount and are EPACT compliant.

All motors shall be mounted on an adjustable base.

All fan drive assemblies shall include an adjustable pitch motor pulley, a fixed pitch blower pulley and a standard cross section "V-belt". All fan drives shall be selected at a minimum service factor of 1.2.

COILS

All coils shall be certified and tagged with an ARI 410 label.

All coils shall be 1/2" O.D. seamless copper tubes with collared and corrugated aluminum fins. All tubes shall be mechanically expanded to provide an efficient bond between tube and fin. All water coils shall be provided with a manual air vent fitting to allow for coil venting. Valve core type vent fittings shall not be accepted.

All heating and cooling coils shall have minimum rows required to meet the specified capacity.

All coils shall be hydrostatically tested with air under water at 350 psig minimum pressure.

Direct expansion coils are tested to 500 PSIG pressure and are factory sealed and charged with a minimum of 5 PSIG nitrogen or refrigerated dry air.

OPTIONS

Coil casing shall be fabricated from 304 Stainless Steel.

Fins shall be 0.0075 aluminum.

Fins shall be 0.0075 Copper.

0.025 tube wall on water coils.

FILTER RACK ASSEMBLY

All units shall be furnished with a flat filter rack with hinged access on both sides designed to accept either 1" or 2" nominal standard sized filters. All units shall be provided with nominal (1") (2") (throwaway) (pleated) filters factory installed. One complete set of spare (throwaway) (pleated) filters shall be provided for each unit.

OPTIONS

Unit shall have a V-Bank filter rack suitable for 2" filters.

Unit shall have a High Efficiency filter rack suitable for a 2" and a 4" (60-65%) (80-85%) (90-95%) pleated filter.

INLET DAMPER SECTION

Where shown on the plans, the unit manufacturer shall include a factory assembled and installed inlet damper section. The inlet damper section shall be included within the unit cabinet.

The inlet damper section shall include heavy gauge formed steel blade dampers in a heavy gauge steel frame with extruded vinyl blade seals and flexible metal jamb seals. All damper actuators and drive linkage shall be (furnished and installed in the field by others) (factory furnished and installed by the unit manufacturer).

SUPPLY PLENUM SECTION

Where shown on the plans, the unit manufacturer shall furnish a fully insulated supply air discharge section complete with a steel double deflection supply grille.

ELECTRICAL CONTROL

The unit fan motor shall be completely factory wired to an external electrical enclosure. Each unit shall include fan motor operating control with 24 volt control voltage. Each unit shall include motor circuit fusing, control circuit transformer with (primary) (and secondary) fusing and terminal strip for connection of field wiring.

A main incoming power (non-fused) (fused) disconnect switch shall be factory furnished and wired by the unit manufacturer for single point power connection.

ELECTRIC RESISTANCE HEATER

Where shown on the plans, the unit manufacturer shall furnish an electric resistance heating assembly with the heating capacity, voltage and steps as shown in the schedule. The heater assembly shall be designed and rated for installation to the air handling unit in the (draw-thru) (blow-thru) configuration without the use of duct extensions or transitions between the unit and the heater assembly. The heater assembly shall be (shipped loose for field assembly to the air handling unit) (factory assembled to the air handling unit and completely factory wired). The heater/unit assembly shall be listed for zero clearance meeting all N.E.C. requirements and be ETL listed in compliance with UL/ANSI Std. 1995.

All heating elements shall be open coil type of 80/20 nichrome wire mounted in ceramic insulators and housed in an insulated heavy gauge galvanized steel housing. All elements shall terminate in a machine staked stainless steel terminal secured with stainless steel hardware. The element support brackets shall be spaced no greater than 3-1/2" on center. All internal wiring shall be rated for 105°C minimum.

All heaters shall include overtemperature protection. All heaters shall include a non-adjustable airflow switch.

An incoming line power distribution block shall be provided. The power distribution block shall be designed to accept incoming power wiring capable of carrying 125% of the calculated load current.

In addition to the above, electric heaters shall include the following options:

- Single point power connection
- Main incoming power disconnect (non-fused) (fused)
- Main fusing per (N.E.C.) (step)
- Magnetic contactors wired for (de-energizing) (disconnecting) operation
- Mercury contactors wired for (de-energizing) (disconnecting) operation
- Fan interlock relay
- Quiet operating magnetic contactors (24 volt control only)
- Class II 24 volt control transformer
- Primary and/or secondary control transformer fusing
- Solid state relay with (4-20 ma) (thermistor) (0-135 ohm) (0-16 VDC) (6-9 VDC) control

- Thermostat, duct or wall mounted
- Remote component mounting panel
- Fan motor fusing (required on single point power connection)
- Fan motor relay or starter with heater interlock contacts (required on single point power connection)
- Pilot duty 24 volt fan relay
- De-rated elements
- Fin tubular elements

- See catalog CAT-CURVES-BD for complete fan curves.
- The ENVIRO-TEC[®] Windows[®] based ARI 410 certified Coil Selection Program accompanying this catalog provides all necessary selection and coil rating information for Model H Horizontal and Model V Vertical air handling units.
- Some drawings are not shown in this catalog. Contact your local ENVIRO-TEC[®] representative for complete submittal drawings for your project.
- ETL Report Number 510580.
- MEA Number MEA 55-98-E applies to all units with any combination of chilled water or R-22 direct expansion coils and either hot water coils, steam coils or electric heat.



6750 Bryan Dairy Rd. • Largo, FL 33777

www.enviro-tec.com

727-541-3531

©1999 Environmental Technologies, Inc.

Stock ID: CAT-BDAHU

November, 1999

Research & Development, Engineering, and Manufacturing.

- Variable Volume Terminals
- Fan Coils
- Air Handling Units
- Coils
- Electronic Controls
- Air Distribution Products