

Installation Instructions

Enviro-Pac™

Forward

This publication details the installation requirements for the Enviro-Pac™ dual unit configuration of the Vertical High Rise, VH, unit assembly. Use of this manual for systems or products not manufactured or supplied by Enviro-Tec shall not be applicable.

All products covered by this manual have been tested in accordance with UL1479-Fire Tests Of Through Penetration Fire Stops and are approved to bear the ETL listing mark for Through Penetration Fire Stop Assemblies. Specific model numbers and their corresponding ETL file numbers may be found in the current ETL-Directory of Listed Products or at <http://www.etlsemko.com/ProdDir/index.htm> Reference ETL file No. 3014076-002 and 3016281.

For other VH product Installation and operational instructions refer to IOM-FCUVH

The Installation Instructions found within this manual have been specifically drawn and detailed to meet the requirements of UL1479. Some jurisdictions may require additional or different installation methods; therefore, consult with the authority having jurisdiction for specific differences. For these cases, the requirements defined by the authority having jurisdiction will take precedence over the documents contained herein.


Installation

1. Place unit assembly in its desired location. Check riser number, floor number, room number, and unit tag number against the tag label on the unit, making sure that the unit assembly is oriented correctly between each room.
2. Anchor unit assembly to floor through unit bottom. Due to floor leveling, some shimming may be necessary so unit is plumb and square to floor/ceiling.
3. Install floor stud reception channels up to unit sides at the connector plate.
4. Install ceiling stud reception channel over the unit assembly, leaving space for riser penetration.
5. Install the wall studs into the recess in the unit assembly using #6 x 1/2 drywall screws spaced as necessary.

CAUTION-AVOID PLACING SCREWS WHERE THEY MAY PENETRATE THE RISERS, COIL, PIPING, OR ELECTRICAL SYSTEM.

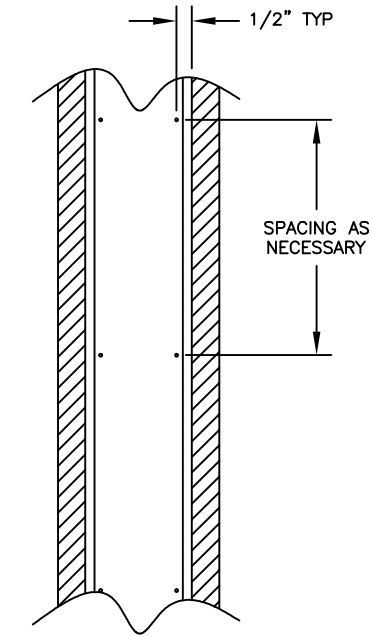
6. Install balance of studs into ceiling/floor reception channels at a spacing to meet project specifications and local, state, or national codes. In no cases should stud spacing be greater than 24" O.C.
7. Install studs from top of unit to ceiling. Locate studs at each unit corner.
8. Make necessary electrical and plumbing connections to unit.
9. Install Type-X Gypsum Board to wall studs to complete specified fire wall separation.
10. Install gypsum board to the sides of the unit exterior. Gypsum panels may be applied directly to unit casing or may be furred out for plumbness. Any supply air, outside air, or thermostat openings shall be let-in as necessary.
11. Install gypsum board to face of unit. This panel should be applied directly to the front of the unit, unless a wall recessed return air grille is used, in which case this panel will be furred-out. Any supply air, return air, or thermostat openings shall be let-in as necessary.
12. Risers shown in the standard location. Risers may be installed on the left or right side of unit A. Wall construction should remain the same, regardless of riser location.

SHEET 1 OF 2
PX-70-0001

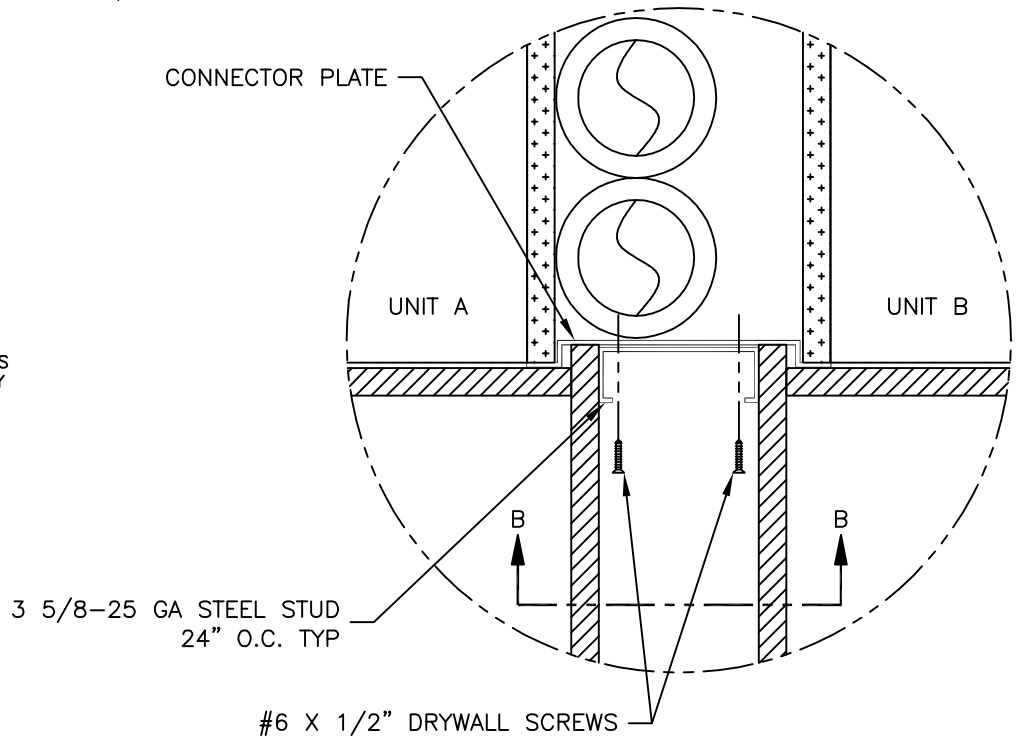
<p>TITLE:</p> <p style="text-align: center;">INSTALLATION INSTRUCTIONS ENVIRO-PAC™ UNITS MODEL "VHA/VHB"</p>				
	DRN BY: JGH	DATE: 12/3/01	SCALE: 1=20	DRAWING NO.
<p>THIS DRAWING CONTAINS PROPRIETARY DATA. UNAUTHORIZED DISCLOSURE, REPRODUCTION, OR USE IS STRICTLY PROHIBITED WITHOUT WRITTEN PERMISSION</p>	<p style="text-align: center;">DO NOT SCALE DRAWING DIMENSIONS AND DATA ARE SUBJECT TO CHANGE WITHOUT NOTICE. CONTACT FACTORY FOR CERTIFIED DRAWINGS.</p>		CKD BY: HANK	DATE: 2/24/04
			REV: 03	70-74-023

 = 5/8" TYPE-X GYPSUM BOARD, FIELD SUPPLIED

 = 5/8" TYPE-X GYPSUM BOARD, FACTORY SUPPLIED

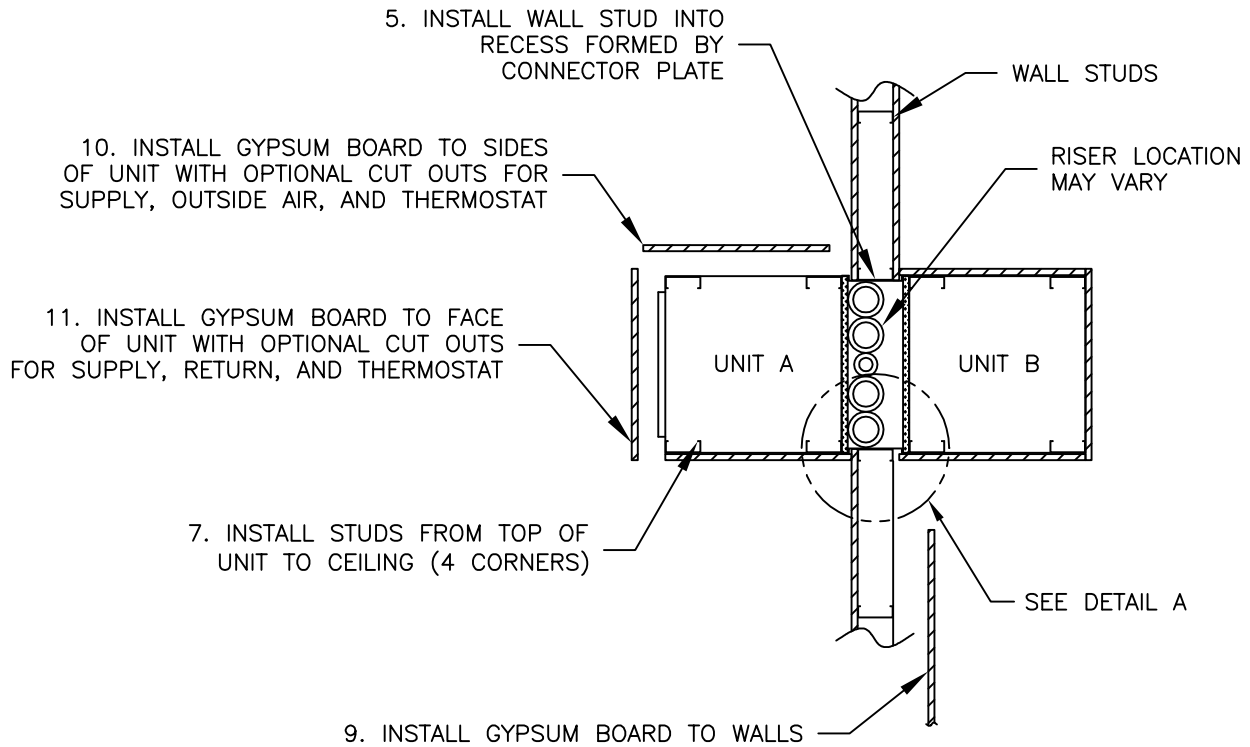


SECTION "B-B"



CAUTION-AVOID PLACING SCREW WHERE THEY MAY PENETRATE THE RISER, COIL, PIPING, OR ELECTRICAL SYSTEM.

DETAIL-A



PLAN VIEW

SHEET 2 OF 2
PX-70-0001

TITLE: INSTALLATION INSTRUCTIONS
ENVIRO-PAC™ UNIT
MODEL "VHA/VHB"

 **ENVIRO-TEC®**
BY JOHNSON CONTROLS

DRN BY: JGH	DATE: 12/3/01	SCALE: 1=20	DRAWING NO.
CKD BY: HANK	DATE: 2/24/04	REV: 03	

70-74-023

THIS DRAWING CONTAINS PROPRIETARY DATA.
UNAUTHORIZED DISCLOSURE, REPRODUCTION, OR USE
IS STRICTLY PROHIBITED WITHOUT WRITTEN PERMISSION

DO NOT SCALE DRAWING
DIMENSIONS AND DATA ARE SUBJECT TO CHANGE WITHOUT NOTICE.
CONTACT FACTORY FOR CERTIFIED DRAWINGS.