

CATALOG

SDR Single-Duct VAV Terminals



TABLE OF CONTENTS

<i>Features And Benefits</i>	2
<i>Standard Construction</i>	6
<i>Optional Construction</i>	7
<i>Standard And Optional Features</i>	8
<i>Application And Selection</i>	9
<i>Airflow Calibration</i>	13
<i>Selection Data</i>	14
<i>Sound Data</i>	15
<i>AHRI Ratings</i>	19
<i>Hot Water Coil Data</i>	20
<i>Electric Heat</i>	25
<i>Guide Specifications</i>	26

NOTES:

- All data is subject to change without notice. Drawings in this guide are not for installation purposes.
- Some drawings are not shown in this catalog. Construction drawings and performance data contained herein should not be used for submittal purposes.
- ETL Listing Number 492864.
- Visit www.enviro-tec.com for current literature and submittal drawings or contact your local sales representative for more information.



FEATURES AND BENEFITS

PRECISE ZONE CONTROL

Model SDR terminals provide variable air volume (VAV) control beyond the typical single duct box. They are specifically designed for precise air delivery throughout the entire operating range, regardless of the installed inlet conditions. They also offer improved space comfort and flexibility for a wide variety of HVAC applications. SDR terminals take advantage of typical benefits provided by single duct units, while performing at extremely low sound levels. This is critical in today's buildings, where occupants are placing more emphasis on indoor acoustics.

The ability to provide comfort to the occupant is the measurement of quality for any VAV terminal. Comfort is achieved through quiet and precise control of airflow to the occupied space.

The SDR terminal provides the ultimate in airflow control with the patented FlowStar™ airflow sensor. No other sensor in the industry can match the FlowStar's ability to quietly and precisely measure airflow. Accurate airflow measurement is the basis for airflow control.

DESIGN FLEXIBILITY

Selection and Layout. The SDR provides flexibility in system design. The compact cabinet design and quiet operation give the system designer the versatility to place units directly above occupied spaces. It is not

necessary to locate the unit in the crowded space above a hall or corridor. This will reduce lengthy and expensive discharge duct runs. The FlowStar sensor ensures accurate control, even when space constraints do not permit long straight inlet duct runs to the terminal.

Sizes. Model SDR terminals are available in ten unit sizes to handle airflow capacities between 45 and 8000 CFM.

A web-based Computer Selection Program, "Web-Select", is available to facilitate the selection process. Contact your representative to obtain access to this powerful and time-saving program.

CONVENIENT INSTALLATION

Quality. All SDR terminals are thoroughly inspected during each step of the manufacturing process, including a comprehensive "pre-ship" inspection, to maintain the highest quality product available. All SDR terminals are packaged to minimize damage during shipment.

Quick Installation. A standard single point electrical main power connection is provided with all electronic controls and electrical components located on the same side of the casing, for quick access, adjustment, and troubleshooting. Installation time is minimized with the availability of factory calibrated controls and a low profile compact design.

The FlowStar sensor ensures accurate airflow measurement, regardless of the field installation conditions. A calibration label and wiring diagram is located on the terminal for quick reference during start-up.

The terminal is constructed to allow installation with standard metal hanging straps. Optional hanger brackets for use with all-thread support rods or wire hangers are also available.

LASTING COMPONENTS AND LOW COST OPERATION

Quality. All metal components are fabricated from galvanized steel. Unlike most manufacturers' terminals, the SDR is capable of withstanding a 125 hour salt spray test without showing any evidence of red rust.

Energy Efficiency. In addition to quiet and accurate temperature control, the building owner will benefit from lower operating costs. The highly amplified velocity pressure signal from the FlowStar inlet sensor allows precise airflow control at low air velocities.

The FlowStar sensor's airfoil shape provides minimal pressure drop across the terminal. This allows the central fan to run at a lower pressure and with less brake horsepower.

Agency Certification. Model SDR terminals with electronic controls and/or electric heat are listed with ETL as an assembly, and bear the ETL label.

SDR terminals and accessories are wired in compliance with all applicable NEC requirements and tested in accordance with AHRI Standard 880.

Maintenance and Service. SDR terminals require no periodic maintenance and provide trouble-free operation. Controls are located on the outside of the unit casing for easy access by maintenance personnel.

A VARIETY OF CONTROLS

Model SDR terminals are available with analog electronic, consignment DDC, and pneumatic controls specifically designed for use with SDR terminals. These controls are designed to accommodate a multitude of control schemes.



From the most basic to the most sophisticated sequence of operation, the controls are designed by experts in VAV single duct terminal operation. Refer to the Electronic Controls Selection Guide, and the Pneumatic Controls Selection Guide for a complete description of the sequences and schematic drawings that are available.

Available Control Types:

- Analog Electronic (shown above)
- Pneumatic
- Factory mounted consignment DDC

Standard Control Features:

- Patented FlowStar Airflow Sensor
- ETL Listing
- NEMA 1 Enclosure
- 24 Volt Control Transformer
- Floating Modulating Actuator
- Balancing Tees and Plenum Rated Tubing

FEATURES AND BENEFITS

PATENTED FLOWSTAR SENSOR CONTROL

The air valve features the FlowStar airflow sensor which has brought new meaning to airflow control accuracy. The multi-axis design utilizes between 12 and 20 sensing points that sample total pressure at center points within equal concentric cross-sectional areas, effectively traversing the air stream in two planes. Each distinct pressure reading is averaged within the center chamber before exiting the sensor to the controlling device.

This sensor adds a new dimension to signal amplification. Most differential pressure sensors provide a signal equal to 1.5 times the equivalent velocity pressure signal. The FlowStar provides a differential pressure signal that is 2.5 to 3 times the equivalent velocity pressure signal. This amplified signal allows more accurate and stable airflow control at low airflow capacities. Low airflow control is critical for indoor air quality, reheat minimization, and preventing over cooling during light loads.

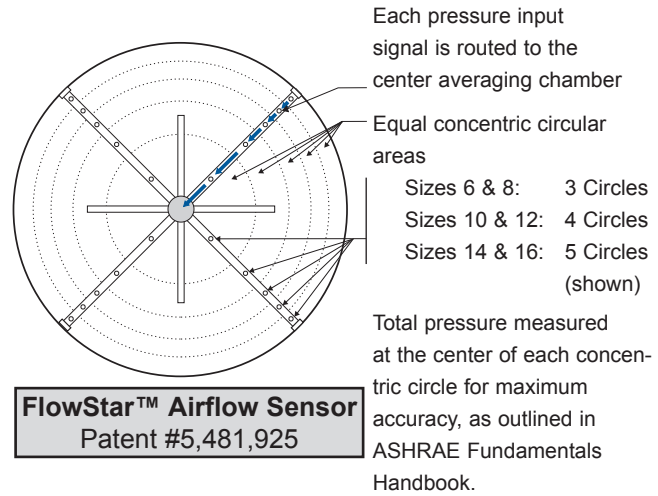
Unlike other sensors which use a large probe surface area to achieve signal amplification, the FlowStar utilizes an unprecedented streamline design which generates amplified signals unrivaled in the industry. The streamlined design also generates less pressure drop and noise.

The VAV schedule should specify the minimum and maximum airflow setpoints, maximum sound power levels, and maximum air pressure loss for each terminal.

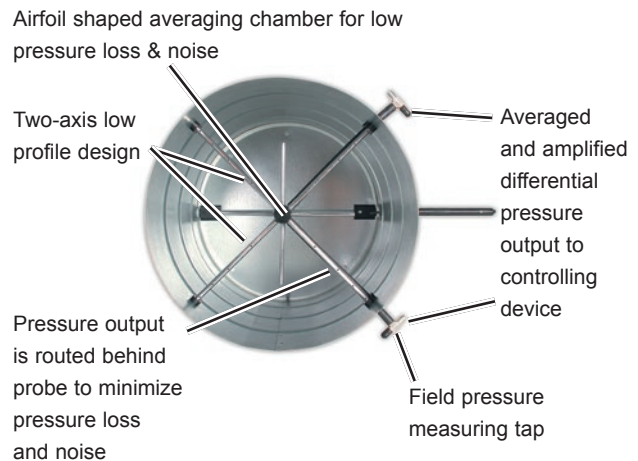
The specification for the VAV terminal must detail the required performance of the airflow sensor. For maximum building occupant satisfaction, the VAV system designer should specify the airflow sensor as suggested in the Guide Specifications of this catalog.

Using FlowStar sensing to amplify the airflow signal allows you to use lower minimum airflow setpoints. Many VAV controllers require a minimum differential pressure signal of 0.03 inch W.G. The airflow sensor should be able to generate this signal with only 400 to 450 FPM air velocity through the inlet collar.

Conventional airflow sensors without amplification capabilities require approximately 700 FPM to generate a 0.03 inch W.G. signal. If 700 FPM represents a 20% minimum condition, the inlet velocity would be 3500 FPM at the maximum airflow setpoint. This results in extremely noisy conditions. In addition, the airflow sensor should generate a differential pressure range of at least one inch W.G. over the operating range of the terminal unit.



Sizes 6 & 8:	12 Sensing Points
Sizes 10 & 12:	16 Sensing Points
Sizes 14 & 16:	20 Sensing Points



UNIQUE ELECTRIC HEAT DESIGN

Model SDR-EH models are unique in that they correct common industry heating problems. Historically, heater elements placed downstream of a VAV damper have experienced two major problems:

- Elements fail prematurely due to hot spots resulting from an uneven air velocity profile over the heater face
- Heaters suffer rapid nuisance cycling of the contactors and elements because the airflow switch probe is located on the low pressure (downstream side) of the VAV damper

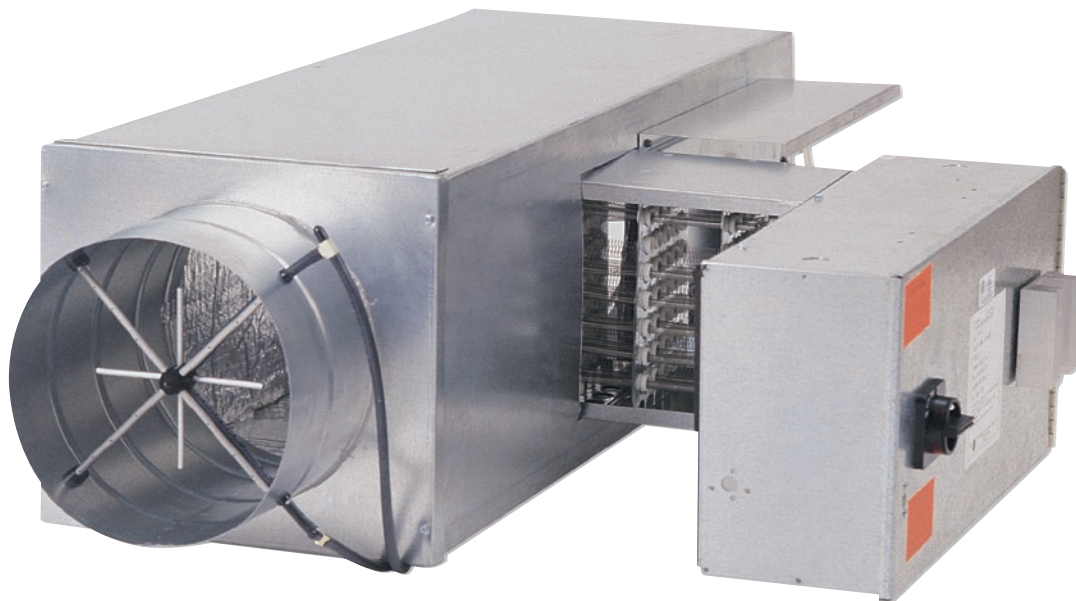
Our unique electric heat VAV terminal, the SDR-EH, solves these problems. The heater elements are

located midway between the air inlet and the damper. (See photo below.) This design provides uniform airflow over the face of the electric heater at all damper positions. Element life is extended, reducing repair cost and inconvenience.

With the heater elements located on the high pressure side of the VAV damper, the airflow pressure switch receives a reliable pressure signal even at minimum damper positions. This arrangement provides greater safety, as well as enhanced reliability.

The SDR-EH design permits tremendous flexibility when selecting kW, voltage, phase, balanced or unbalanced circuits and method of control.

The SDR-EH breaks new ground in single duct VAV electric heater design. The patented FlowStar sensor permits modulation to lower airflow levels than all other sensors in the industry. This minimizes the energy expended for heat in many applications.

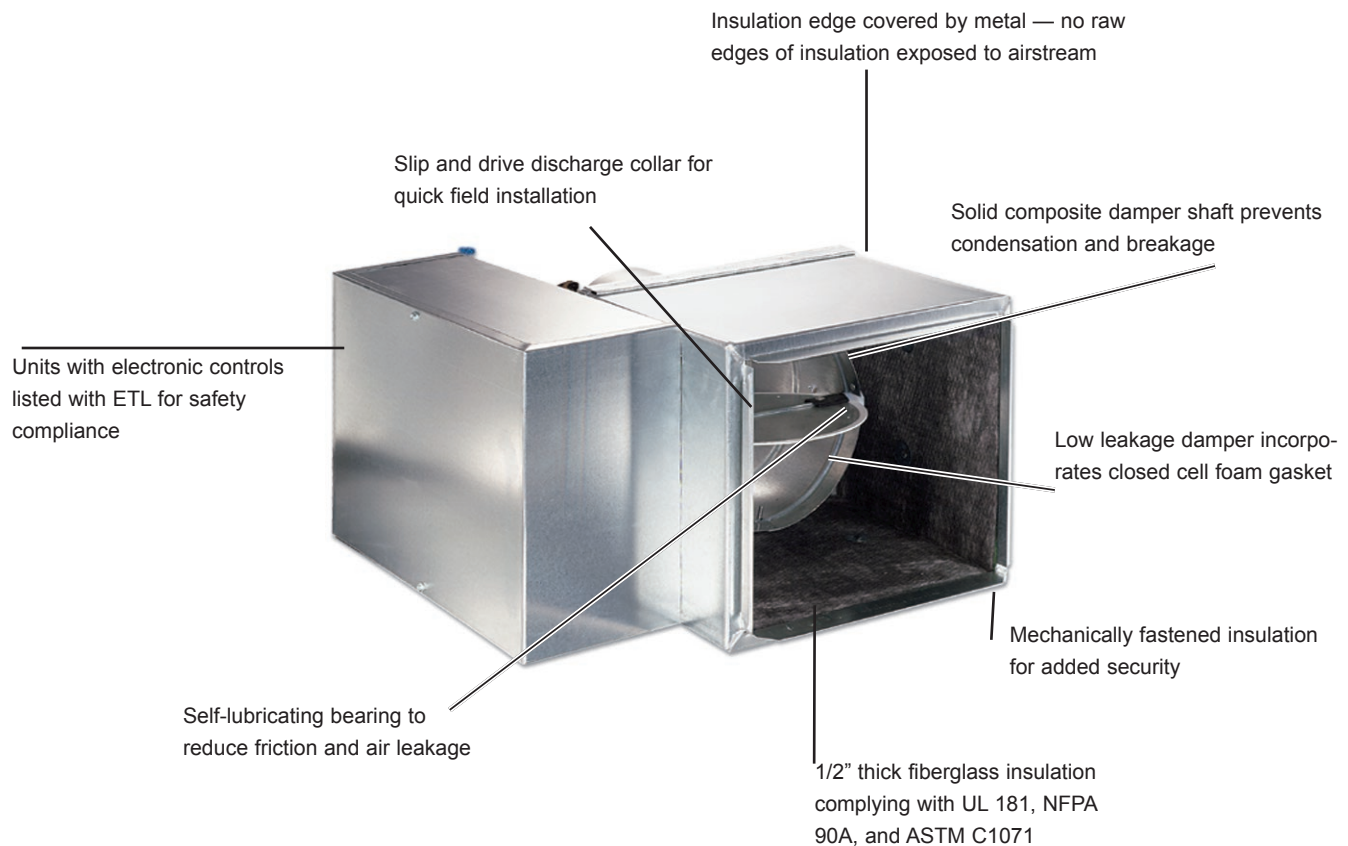
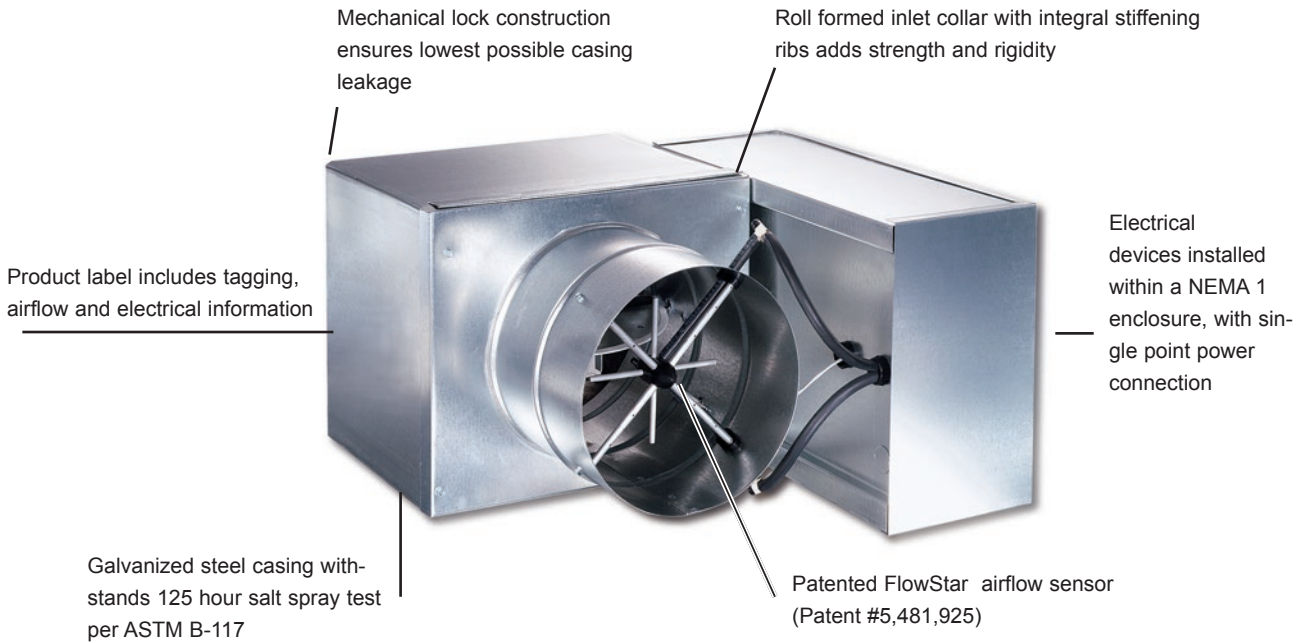


The FlowStar probe is visible in the inlet of the SDR-EH. The elements, partially removed for this photo, are midway between the inlet and the damper.

STANDARD CONSTRUCTION

MODEL SDR

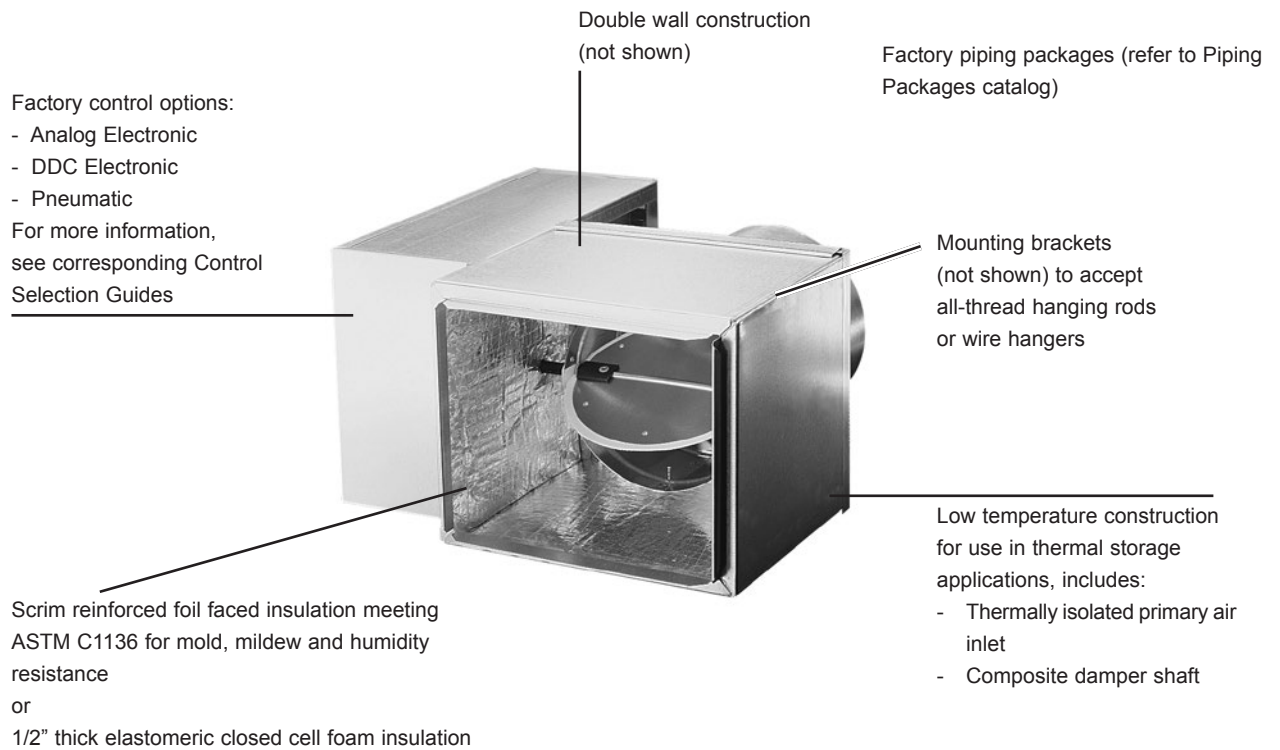
The SDR terminal incorporates many standard features that are expensive options for other manufacturers.



OPTIONAL CONSTRUCTION

MODEL SDR

The SDR single duct terminal is available with many optional features to meet any project requirement.



STANDARD AND OPTIONAL FEATURES

STANDARD FEATURES

Construction

- AHRI 880 certified and labeled
- 22 gauge galvanized steel casing and valve
- 1/2" thick fiberglass insulation, mechanically fastened for added security

Primary Air Valve

- Embossed rigidity rings
- Low thermal conductance damper shaft
- Position indicator on end of damper shaft
- Mechanical stops for open and closed position
- FlowStar™ center averaging airflow sensor
- Balancing tees
- Plenum-rated sensor tubing

Hot Water Coil

- Designed and manufactured by ENVIRO-TEC
- AHRI 410 certified and labeled
- 1, 2, 3 or 4 rows
- Left or right hand connections
- Tested at a minimum of 450 PSIG under water and rated at 300 PSIG working pressure at 200°F

Electrical

- cETL listed for safety compliance with UL 1996
- NEMA 1 wiring enclosure

Electric Heat

- cETL listed as an assembly for safety compliance
- Automatic reset primary and back-up secondary thermal limits
- Airflow switch
- Single point power connection
- Hinged electrical enclosure door
- Fusing per NEC

OPTIONAL FEATURES

Construction

- 20 gauge galvanized steel construction
- 3/4" and 1" insulation
- Foil faced scrim backed insulation
- 1/2" thick elastomeric closed cell foam insulation
- Double wall construction with 22 gauge liner

Hot Water Coil

- Coil access plate for cleaning coil

Electrical

- Toggle disconnect switch
- Primary and secondary transformer fusing

Electric Heat

- Proportional SSR heater control
- Mercury contactors
- Door interlocking disconnect switches

Controls

- Factory provided controls include:
 - Analog electronic
 - Pneumatic

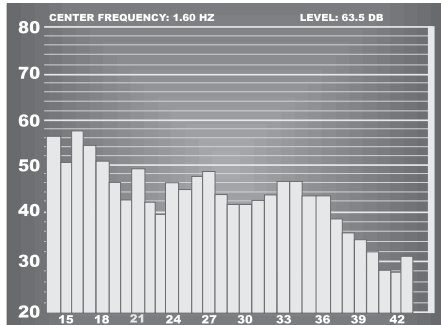
Piping Packages

- Factory assembled – shipped loose for field installation
- 1/2" and 3/4", 2 way, normally closed, two position electric motorized valves
- Isolation ball valves with memory stop
- Fixed and adjustable flow control devices
- Unions and P/T ports
- Floating point modulating control valves
- High pressure close-off actuators

APPLICATION AND SELECTION

ACOUSTICAL CONCEPTS

The focus on indoor air quality is also having an effect on proper selection of air terminal equipment with respect to acoustics.



Sound. At the zone level, the terminal unit generates acoustical energy that can enter the zone along two primary paths. First, sound from the primary

air valve can propagate through the downstream duct and diffusers before entering the zone (referred to as Discharge or Airborne Sound). Acoustical energy is also radiated from the terminal casing and travels through the ceiling cavity and ceiling system before entering the zone (referred to as Radiated Sound).

To properly quantify the amount of acoustical energy emanating from a terminal unit at a specific operating condition (i.e. CFM and static pressure), manufacturers must measure and publish sound power levels.

The units of measurement, decibels, actually represent units of power (watts). The terminal equipment sound power ratings provide a consistent measure of the generated sound independent of the environment in which the unit is installed. This allows a straight forward comparison of sound performance between equipment manufacturers and unit models.

Noise Criteria (NC). The bottom line acoustical criteria for most projects is the NC (Noise Criteria) level. This NC level is derived from resulting sound pressure levels in the zone. These sound pressure levels are the effect of acoustical energy (sound power levels) entering the zone caused by the terminal unit and other sound generating sources (central fan system, office equipment, environment, etc.).

The units of measurement is once again decibels; however, in this case decibels represent units of pressure (Pascals), since the human ear and microphones react to pressure variations.

There is no direct relationship between sound power levels and sound pressure levels. Therefore, we must predict the resulting sound pressure levels (NC levels) in the zone based in part by the published sound power

levels of the terminal equipment. The NC levels are totally dependent on the project specific design, architecturally and mechanically. For a constant operating condition (fixed sound power levels), the resulting NC level in the zone will vary from one project to another.

AHRI 885. A useful tool to aid in predicting space sound pressure levels is an application standard referred to as AHRI Standard 885. This standard provides information (tables, formulas, etc.) required to calculate the attenuation of the ductwork, ceiling cavity, ceiling system, and conditioned space below a terminal unit. These attenuation values are referred to as the “transfer function” since they are used to transfer from the manufacturer’s sound power levels to the estimated sound pressure levels resulting in the space below, and/or served by the terminal unit. The standard does not provide all of the necessary information to accommodate every conceivable design; however, it does provide enough information to approximate the transfer function for most applications. Manufacturers use different assumptions with respect to a “typical” project design; therefore, it is impossible to compare product performance simply by looking at the published NC values.

GENERAL DESIGN RECOMMENDATIONS FOR A QUIET SYSTEM

The AHU. Sound levels in the zone are frequently impacted by central fan discharge noise that either breaks out (radiates) from the ductwork or travels through the distribution ductwork and enters the zone as airborne (discharge) sound. Achieving acceptable sound levels in the zone begins with a properly designed central fan system which delivers relatively quiet air to each zone.

Supply Duct Pressure. The primary factor contributing to noisy systems (including single duct applications) is high static pressure in the primary air duct. This condition causes higher sound levels from the central fan and also higher sound levels from the terminal unit, as the primary air valve closes to reduce the pressure. This condition is compounded when flexible duct is utilized at the terminal inlet, which allows the central fan noise and air valve noise to break out into the ceiling cavity and then enter the zone located below the terminal. Ideally, the system static pressure should be reduced to the point where the terminal unit installed on the duct run associated with the highest pressure drop has the minimum required inlet pressure to deliver the design airflow to the zone. Many of today’s

APPLICATION AND SELECTION

HVAC systems experience 0.5" w.g. pressure drop or less in the main trunk. For systems that will have substantially higher pressure variances from one zone to another, special attention should be paid to the proper selection of air terminal equipment.

To date, the most common approach has been to select (size) all of the terminals based on the worst case (highest inlet static pressure) condition. Typically, this results in 80% (or higher) of the terminal units being oversized for their application. This in turn results in much higher equipment costs, but more importantly, drastically reduced operating efficiency of each unit. This consequently decreases the ability to provide comfort control in the zone. In addition, the oversized terminals cannot adequately control the minimum ventilation capacity required in the heating mode.

A more prudent approach is to utilize a pressure reducing device upstream of the terminal unit on those few zones closest to the central fan. This device could simply be a manual quadrant type damper if located well upstream of the terminal inlet. In tight quarters, perforated metal can be utilized as a quiet means of reducing system pressure. This approach allows all of the terminal units to experience a similar (lower) inlet pressure. They can be selected in a consistent manner at lower inlet pressure conditions that will allow more optimally sized units.

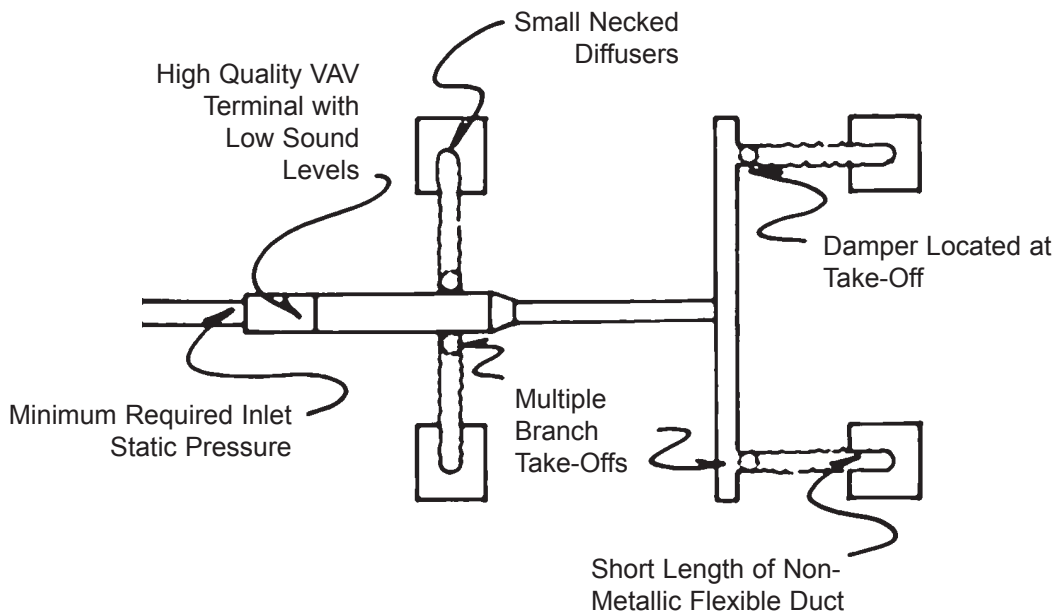
Inlet duct that is the same size as the inlet collar and as straight as possible will achieve the best acoustical performance. For critical applications, flexible duct should not be utilized at the terminal inlet.

Zoning. On projects where internal lining of the downstream duct is not permitted, special considerations should be made to obtain acceptable noise levels. In these cases, a greater number of smaller zones will help in reducing sound levels. Where possible, the first diffuser takeoff should be located after an elbow or tee and a greater number of small necked diffusers should be utilized, rather than fewer large necked diffusers.

The downstream ductwork should be carefully designed and installed to avoid noise regeneration. Bull head tee arrangements should be located sufficiently downstream of the terminal discharge to provide an established flow pattern downstream of the fan. Place diffusers downstream of the terminal after the airflow has completely developed.

Downstream splitter dampers can cause noise problems if placed too close to the terminal, or when excessive air velocities exist. If tee arrangements are employed, volume dampers should be used in each branch of the tee, and balancing dampers should be provided at each diffuser tap. This arrangement provides maximum flexibility in quiet balancing of the system.

IDEAL DUCT DESIGN

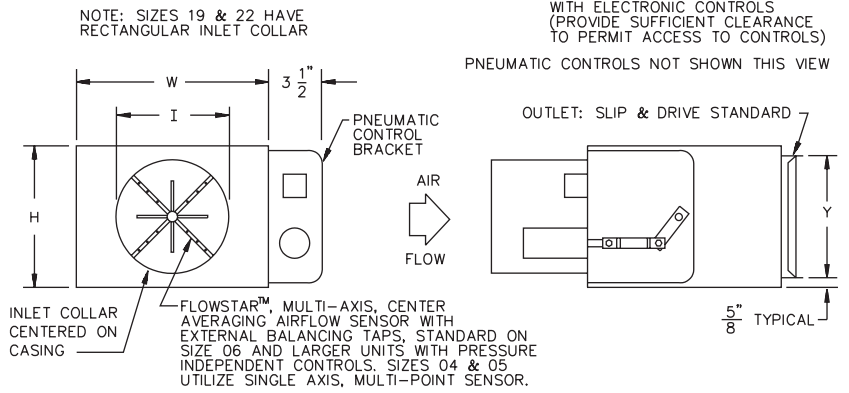


DIMENSIONAL DATA

UNIT SIZE	DIMENSIONS						
	W	H	L	A	I	X	Y
4	10 [254]	10 [254]	11 [279]	10 1/2 [267]	3 7/8 [98]	8 3/4 [222]	8 3/4 [222]
5	10 [254]	10 [254]	11 [279]	10 1/2 [267]	4 7/8 [124]	8 3/4 [222]	8 3/4 [222]
6	10 [254]	10 [254]	11 [279]	6 1/2 [165]	5 7/8 [149]	8 3/4 [222]	8 3/4 [222]
8	12 [305]	10 [254]	11 [279]	6 1/2 [165]	7 7/8 [200]	10 3/4 [273]	8 3/4 [222]
10	14 [356]	12 1/2 [318]	13 [330]	6 1/2 [165]	9 7/8 [251]	12 3/4 [324]	11 1/4 [286]
12	16 [406]	15 [381]	13 [330]	6 1/2 [165]	11 7/8 [302]	14 3/4 [375]	13 3/4 [349]
14	20 [508]	17 1/2 [445]	17 1/2 [445]	6 1/2 [165]	13 7/8 [352]	18 3/4 [476]	16 1/4 [413]
16	24 [610]	17 1/2 [445]	17 1/2 [445]	6 1/2 [165]	15 7/8 [403]	22 3/4 [578]	16 1/4 [413]
19	30 [762]	17 1/2 [445]	11 [279]	8 [203]	28 1/4 [718] x 13 7/8 [352]	28 3/4 [730]	16 1/4 [413]
22	34 [864]	17 1/2 [445]	11 [279]	8 [203]	32 1/4 [819] x 15 7/8 [403]	32 3/4 [832]	16 1/4 [413]

NOTES:

- All dimensions are in inches [mm] with a tolerance of ±1/8" [3mm].
- Sizes 19 and 22 have rectangular inlet collar.

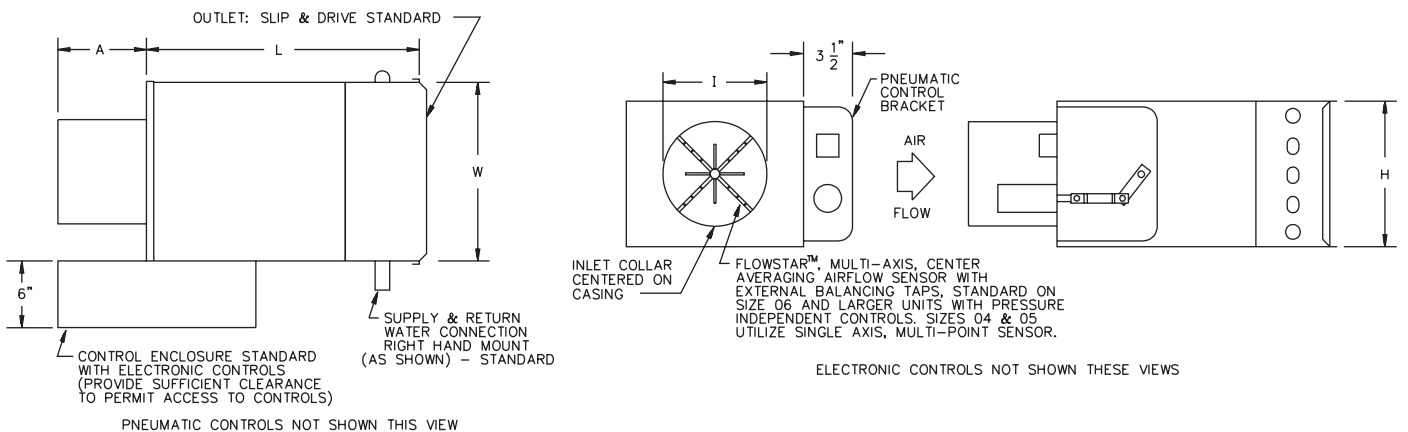


ELECTRONIC CONTROLS NOT SHOWN THESE VIEWS

UNIT SIZE	DIMENSIONS				
	W	H	L	A	I
4	10 [254]	10 [254]	15 1/2 [394]	10 1/2 [267]	3 7/8 [98]
5	10 [254]	10 [254]	15 1/2 [394]	10 1/2 [267]	4 7/8 [124]
6	10 [254]	10 [254]	15 1/2 [394]	6 1/2 [165]	5 7/8 [149]
8	12 [305]	10 [254]	15 1/2 [394]	6 1/2 [165]	7 7/8 [200]
10	14 [356]	12 1/2 [318]	17 1/2 [445]	6 1/2 [165]	9 7/8 [251]
12	16 [406]	15 [381]	17 1/2 [445]	6 1/2 [165]	11 7/8 [302]
14	20 [508]	17 1/2 [445]	21 1/2 [546]	6 1/2 [165]	13 7/8 [352]
16	24 [610]	17 1/2 [445]	21 1/2 [546]	6 1/2 [165]	15 7/8 [403]
19	30 [762]	17 1/2 [445]	15 1/2 [394]	8 [203]	28 1/4 [718] x 13 7/8 [352]
22	34 [864]	17 1/2 [445]	15 1/2 [394]	8 [203]	32 1/4 [819] x 15 7/8 [403]

NOTES:

- All dimensions are in inches [mm] with a tolerance of ±1/8" [3mm].
- Sizes 19 and 22 have rectangular inlet collar.

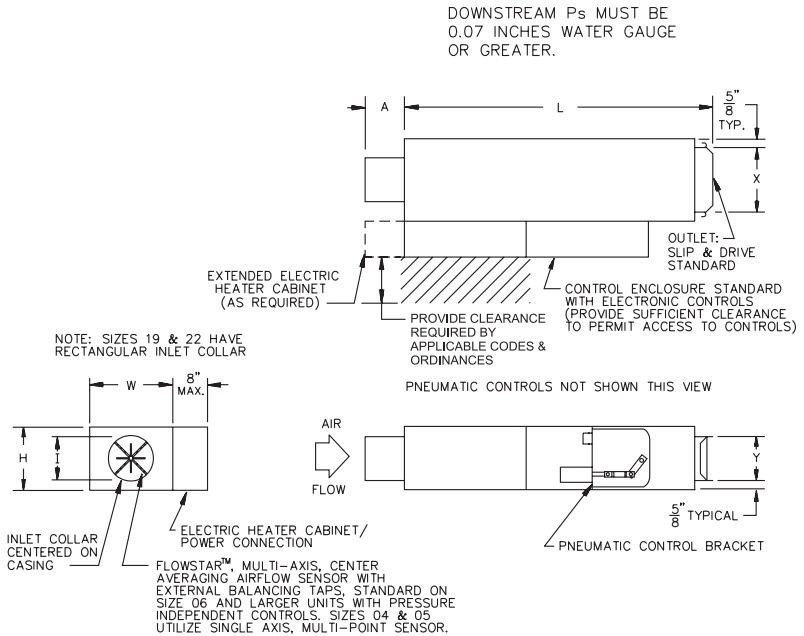


DIMENSIONAL DATA

MODEL SDR - EH

UNIT SIZE	DIMENSIONS						
	W	H	L	I	X	Y	A
4	10 [254]	10 [254]	41 [1041]	3 7/8 [98]	8 3/4 [222]	8 3/4 [222]	10 1/2 [267]
5	10 [254]	10 [254]	41 [1041]	4 7/8 [124]	8 3/4 [222]	8 3/4 [222]	10 1/2 [267]
6	10 [254]	10 [254]	41 [1041]	5 7/8 [149]	8 3/4 [222]	8 3/4 [222]	6 1/2 [165]
8	12 [305]	10 [254]	41 [1041]	7 7/8 [200]	10 3/4 [273]	8 3/4 [222]	6 1/2 [165]
10	14 [356]	12 1/2 [318]	41 [1041]	9 7/8 [251]	12 3/4 [324]	11 1/4 [286]	6 1/2 [165]
12	16 [406]	15 [381]	41 [1041]	11 7/8 [302]	14 3/4 [375]	13 3/4 [349]	6 1/2 [165]
14	20 [508]	17 1/2 [445]	41 [1041]	13 7/8 [352]	18 3/4 [476]	16 1/4 [413]	6 1/2 [165]
16	24 [610]	17 1/2 [445]	41 [1041]	15 7/8 [403]	22 3/4 [578]	16 1/4 [413]	6 1/2 [165]
19	30 [762]	17 1/2 [445]	44 1/2 [1130]	28 1/4 [718] x 13 7/8 [352]	28 3/4 [730]	16 1/4 [413]	1 1/2 [38]
22	34 [864]	17 1/2 [445]	44 1/2 [1130]	32 1/4 [819] x 15 7/8 [403]	32 3/4 [832]	16 1/4 [413]	1 1/2 [38]

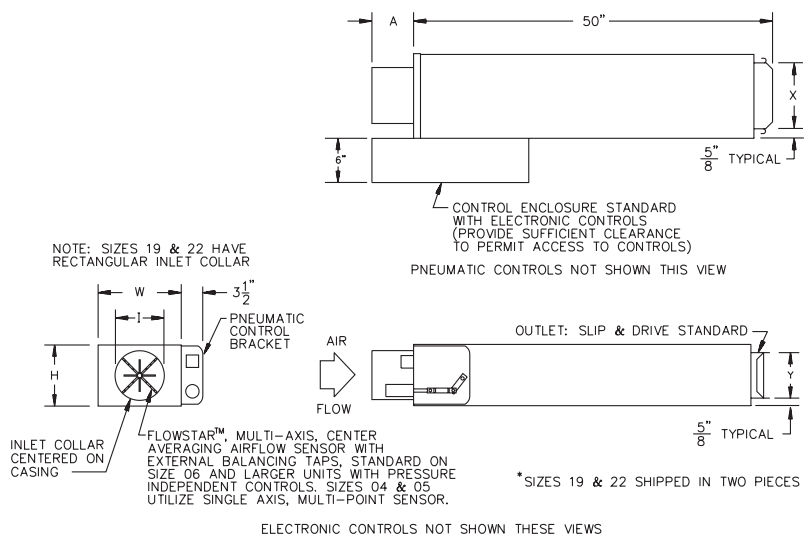
NOTE: All dimensions are in inches [mm] with a tolerance of ±1/8" [3mm].



MODEL SDR - SA

UNIT SIZE	DIMENSIONS					
	W	H	A	I	X	Y
4	10 [254]	10 [254]	10 1/2 [267]	3 7/8 [98]	8 3/4 [222]	8 3/4 [222]
5	10 [254]	10 [254]	10 1/2 [267]	4 7/8 [124]	8 3/4 [222]	8 3/4 [222]
6	10 [254]	10 [254]	6 1/2 [165]	5 7/8 [149]	8 3/4 [222]	8 3/4 [222]
8	12 [305]	10 [254]	6 1/2 [165]	7 7/8 [200]	10 3/4 [273]	8 3/4 [222]
10	14 [356]	12 1/2 [318]	6 1/2 [165]	9 7/8 [251]	12 3/4 [324]	11 1/4 [286]
12	16 [406]	15 [381]	6 1/2 [165]	11 7/8 [302]	14 3/4 [375]	13 3/4 [349]
14	20 [508]	17 1/2 [445]	6 1/2 [165]	13 7/8 [352]	18 3/4 [476]	16 1/4 [413]
16	24 [610]	17 1/2 [445]	6 1/2 [165]	15 7/8 [403]	22 3/4 [578]	16 1/4 [413]
19*	30 [762]	17 1/2 [445]	8 [203]	28 1/4 [718] x 13 7/8 [352]	28 3/4 [730]	16 1/4 [413]
22*	34 [864]	17 1/2 [445]	8 [203]	32 1/4 [819] x 15 7/8 [403]	32 3/4 [832]	16 1/4 [413]

NOTE: All dimensions are in inches [mm] with a tolerance of ±1/8" [3mm].



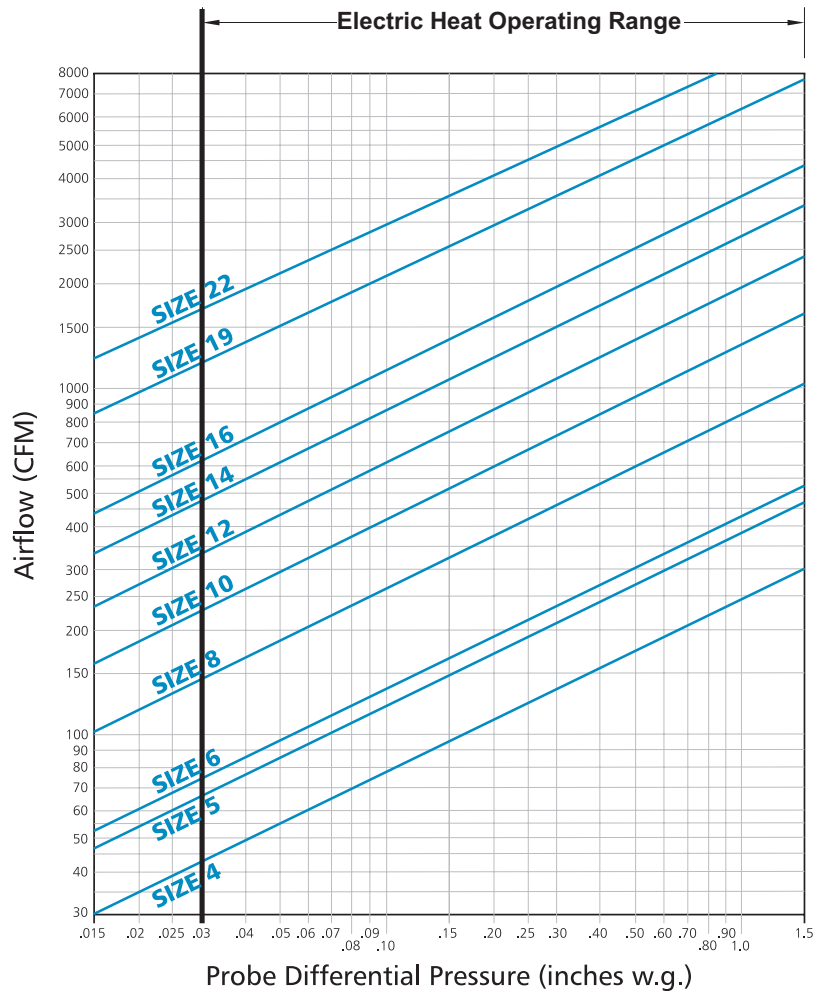
AIRFLOW CALIBRATION

FLOWSTAR CALIBRATION CHART

(For dead-end differential pressure transducers)

NOTE: Maximum and minimum CFM limits are dependent on the type of controls that are utilized. Refer to the table below for specific values. When DDC controls are furnished by others, the CFM limits are dependent on the specific control vendor that is employed. After obtaining the differential pressure range from the control vendor, the maximum and minimum CFM limits can be obtained from the chart above (many controllers are capable of controlling minimum setpoint down to .015" w.g.).

For units with electric heat, a minimum 0.03" w.g. differential is required to satisfy the irflow switch in the electric heater.



AIRFLOW RANGES (CFM)

UNIT SIZE	400 SERIES (PNEUMATIC) STANDARD CONTROLLER		7000 SERIES ANALOG ELECTRONIC		DDC CONSIGNMENT CONTROLS (See Notes Below)				
	MIN.	MAX.	MIN.	MAX.	MIN.			MAX.	
					MIN. TRANSDUCER DIFFERENTIAL PRESSURE (IN. W.G.)			MAX. TRANSDUCER DIFFERENTIAL PRESSURE (IN. W.G.)	
					0.015	0.03*	0.05	1.0	≤1.5
4	43	250	35	250	30	43	55	250	250
5	68	350	50	350	48	65	88	350	350
6	75	490	60	550	53	75	97	435	530
8	145	960	115	1000	105	145	190	840	1000
10	235	1545	185	1600	165	235	305	1355	1600
12	340	2250	285	2300	240	340	440	1975	2300
14	475	3100	390	3100	335	475	615	2750	3100
16	625	4100	520	4100	440	625	805	3595	4100
19	1180	6500	1025	6500	845	1180	1510	6375	6500
22	1730	8000	1450	8000	1260	1730	2200	8000	8000

NOTES:

1. Minimum and maximum airflow limits are dependent on the specific DDC controller supplied. Contact the control vendor to obtain the minimum and maximum differential pressure limits (inches W.G.) of the transducer utilized with the DDC controller.
2. Maximum CFM is limited to value shown in General Selection Data.
3. * Electric heat will not operate below 0.03" w.g. differential pressure.

SELECTION DATA

TERMINAL SIZE	CFM	MINIMUM ΔPs			DISCHARGE NOISE CRITERIA (NC)						RADIATED NOISE CRITERIA (NC)		
		Model SDR / SDR-SA	Model SDR-WC 1 Row	Model SDR-WC 2 Row	0.5" ΔPs		1.0" ΔPs		3.0" ΔPs		0.5" ΔPs	1.0" ΔPs	3.0" ΔPs
					Model SDR	Model SDR-SA	Model SDR	Model SDR-SA	Model SDR	Model SDR-SA	Model SDR & SDR-SA	Model SDR & SDR-SA	Model SDR & SDR-SA
4	100	0.01	0.02	0.03	--	--	--	--	20	--	--	--	20
	150	0.01	0.03	0.04	--	--	24	--	29	21	--	--	24
	200	0.01	0.04	0.07	23	--	29	23	34	28	--	22	29
	250	0.01	0.05	0.09	26	20	31	28	38	33	23	25	33
5	100	0.01	0.02	0.03	--	--	--	--	--	--	--	--	--
	200	0.01	0.04	0.07	--	--	24	--	28	--	--	--	24
	300	0.01	0.07	0.13	23	--	28	--	31	21	--	23	31
	350	0.01	0.09	0.16	24	--	30	21	33	24	21	25	33
6	200	0.02	0.05	0.08	--	--	--	--	25	--	--	--	29
	250	0.03	0.07	0.11	--	--	--	--	28	--	--	--	31
	300	0.04	0.10	0.16	--	--	--	--	28	20	--	20	33
	350	0.06	0.14	0.21	--	--	21	--	30	23	--	21	35
	450	0.10	0.22	0.33	--	--	24	--	33	25	--	24	36
	550	0.14	0.30	0.46	20	--	28	24	35	30	23	28	37
8	300	0.01	0.05	0.10	--	--	--	--	24	--	--	--	26
	400	0.01	0.08	0.15	--	--	--	--	26	--	--	--	29
	500	0.01	0.11	0.22	--	--	--	--	29	--	--	20	30
	600	0.01	0.15	0.30	--	--	--	--	30	20	--	21	32
	800	0.03	0.25	0.46	--	--	21	--	33	24	20	24	34
	1000	0.04	0.35	0.66	21	--	25	21	35	28	23	26	37
10	600	0.01	0.08	0.16	--	--	--	--	30	--	--	--	32
	800	0.01	0.13	0.26	--	--	--	--	30	20	--	--	32
	1000	0.02	0.20	0.39	--	--	20	--	31	24	--	21	32
	1200	0.02	0.25	0.47	--	--	23	--	34	28	--	23	34
	1400	0.03	0.32	0.61	--	--	25	20	35	29	20	24	35
	1600	0.04	0.40	0.76	20	--	28	24	36	31	24	26	37
12	800	0.01	0.08	0.15	--	--	--	--	26	--	--	21	33
	1100	0.01	0.13	0.26	--	--	--	--	28	--	--	22	34
	1400	0.02	0.21	0.40	--	--	20	--	30	24	--	24	35
	1700	0.02	0.26	0.50	--	--	21	--	33	28	--	25	36
	2000	0.03	0.34	0.65	--	--	23	--	35	30	20	26	37
	2300	0.04	0.43	0.82	20	--	25	20	36	31	22	28	38
14	1100	0.01	0.07	0.14	--	--	--	--	26	--	--	--	30
	1500	0.02	0.13	0.24	--	--	--	--	29	23	--	--	31
	1900	0.03	0.20	0.36	--	--	--	--	30	25	--	21	33
	2300	0.05	0.26	0.47	--	--	21	--	33	28	--	23	34
	2700	0.07	0.34	0.62	--	--	24	20	34	29	20	25	35
	3100	0.09	0.43	0.77	21	--	26	21	35	31	22	28	37
16	1600	0.01	0.10	0.19	--	--	--	--	24	--	--	--	33
	2100	0.02	0.17	0.31	--	--	--	--	29	23	--	20	35
	2600	0.03	0.24	0.45	--	--	20	--	34	29	--	21	35
	3100	0.04	0.29	0.55	--	--	23	20	35	30	--	24	36
	3600	0.05	0.37	0.70	20	--	25	21	37	34	21	26	37
	4100	0.06	0.46	0.86	23	--	28	23	39	36	24	29	38
19	2500	0.06	0.19	0.32	23	20	29	21	38	26	29	35	43
	3000	0.09	0.27	0.45	24	21	30	25	39	30	30	36	44
	3500	0.13	0.37	0.61	26	24	31	26	40	33	31	37	45
	4500	0.21	0.53	0.86	26	24	31	28	40	36	34	40	48
	5500	0.32	0.77	1.22	29	25	33	29	43	39	38	44	53
	6500	0.44	1.03	1.62	31	28	33	29	45	41	41	48	56
22	4000	0.06	0.30	0.55	28	24	33	26	41	33	31	37	48
	5000	0.09	0.46	0.83	28	24	34	29	41	36	34	39	50
	6000	0.14	0.56	0.99	29	26	34	31	43	38	36	41	53
	7000	0.18	0.72	1.27	30	28	36	33	44	40	39	45	56
	8000	0.24	0.91	1.59	33	29	37	34	45	41	41	47	58

NOTES:

- Min. ΔPs is the static pressure difference between the terminal inlet and discharge with the damper wide open.
- Performance data obtained from tests conducted in accordance with AHRI Standard 880.
- Dash (-) indicates NC level less than 20.
- NC values are calculated using attenuation values provided in appendix E of AHRI 885-2008, as shown on the right.
- NC (sound pressure) levels predicted by subtracting appropriate values at right from published sound power levels (following pages).

DISCHARGE ATTENUATION VALUES	OCTAVE BAND					
	2	3	4	5	6	7
Small Box (< 300 CFM)	24	28	39	53	59	40
Medium Box (300-700 CFM)	27	29	40	51	53	39
Large Box (> 700 CFM)	29	30	41	51	52	39

RADIATED ATTENUATION VALUES	OCTAVE BAND					
	2	3	4	5	6	7
Type 2 - Mineral Fiber Ceiling	18	19	20	26	31	36

SOUND DATA

DISCHARGE SOUND POWER DATA - MODEL SDR

TERMINAL SIZE	CFM	OCTAVE BAND NUMBER																											
		0.5" ΔPs							1.0" ΔPs							1.5" ΔPs							3.0" ΔPs						
		2	3	4	5	6	7	2	3	4	5	6	7	2	3	4	5	6	7	2	3	4	5	6	7				
4	100	57	55	46	42	36	35	61	59	50	46	43	43	61	61	52	48	45	45	62	61	56	53	52	52				
	150	62	60	50	46	41	39	66	64	54	50	46	45	68	67	58	54	49	48	68	68	60	57	56	56				
	200	66	63	53	49	44	42	71	67	57	53	48	48	72	69	59	55	50	50	73	72	64	60	58	58				
	250	69	65	55	53	46	45	73	70	59	55	51	49	74	71	61	57	53	52	77	76	67	62	60	59				
5	100	55	53	44	40	35	33	58	57	48	43	42	43	59	58	50	46	44	45	59	59	54	50	50	51				
	200	63	60	51	46	41	39	66	64	54	50	45	44	67	66	57	52	47	47	66	67	61	57	55	55				
	250	65	62	53	48	43	41	69	67	56	52	47	45	70	68	59	55	51	50	69	69	63	59	56	56				
	300	68	64	54	50	45	43	71	68	58	54	49	47	72	70	60	56	51	50	71	71	64	60	58	56				
	350	69	65	55	51	47	45	73	70	59	55	50	49	74	71	62	57	53	51	73	72	66	62	60	57				
6	200	54	51	48	44	39	36	59	56	52	48	44	42	60	59	55	51	47	45	65	65	62	57	54	53				
	250	59	53	49	46	40	37	63	58	53	49	45	43	64	61	56	52	48	47	66	67	63	59	56	55				
	300	61	55	51	47	41	39	64	60	54	51	46	44	65	63	57	54	50	48	68	68	64	60	57	55				
	350	62	57	52	48	42	40	65	63	55	52	47	46	66	64	58	55	51	50	70	70	65	62	58	57				
	400	63	58	53	50	43	41	66	64	57	53	48	48	69	67	60	57	52	52	71	71	66	63	59	58				
	450	64	59	54	51	44	42	68	65	58	54	49	48	70	68	60	57	52	52	73	72	67	64	59	60				
	550	67	62	55	53	46	45	70	68	61	56	50	50	72	70	63	59	54	53	76	74	69	66	61	63				
8	300	55	50	47	44	41	37	58	55	52	47	47	45	60	58	55	50	50	48	65	65	60	60	59					
	400	58	53	49	46	43	39	61	58	53	50	48	46	63	61	56	53	51	49	67	67	66	60	59					
	500	60	55	51	48	44	41	64	60	54	52	49	47	65	63	57	55	53	50	69	69	67	61	61	60				
	600	62	57	52	50	46	42	66	61	56	53	50	48	67	65	59	56	54	52	71	70	68	63	61	60				
	700	64	58	54	51	47	43	68	63	57	55	52	49	69	67	62	60	57	55	73	72	68	64	62	60				
	800	66	60	55	52	48	44	69	64	59	56	53	50	71	67	63	60	57	55	74	73	68	65	63	61				
	1000	70	63	57	54	50	46	72	67	62	58	55	52	74	70	64	61	58	56	78	75	70	67	65	62				
10	600	57	53	49	46	44	40	63	59	56	50	49	46	64	62	59	53	51	50	69	70	68	63	59	57				
	800	60	55	52	49	46	42	64	61	57	52	51	48	67	63	60	55	54	52	71	71	69	64	61	59				
	1000	63	58	54	51	48	44	67	63	59	54	52	50	69	65	61	57	56	53	74	72	69	64	63	60				
	1100	64	58	55	52	48	45	68	64	59	55	53	50	70	67	63	60	57	54	74	73	69	65	64	61				
	1200	65	59	55	53	49	45	69	65	60	56	54	51	71	67	63	61	57	55	75	74	70	66	64	62				
	1400	67	61	57	54	50	47	70	67	62	58	55	52	73	69	64	61	58	56	77	75	71	67	65	63				
	1600	69	63	59	56	51	48	74	69	65	60	56	53	76	71	67	62	60	57	80	76	73	69	67	64				
12	800	57	52	49	45	43	40	61	59	58	54	52	50	63	61	61	56	54	52	68	68	68	63	60	59				
	1100	61	55	52	48	46	42	65	61	60	55	53	52	67	63	62	58	56	54	71	69	68	65	63	61				
	1400	63	57	54	51	48	44	67	63	61	56	54	52	70	65	63	59	56	54	74	71	71	67	64	62				
	1600	65	58	56	52	49	45	69	64	62	57	55	52	71	67	64	61	59	57	75	72	72	68	65	63				
	1700	66	59	56	53	49	46	69	64	62	58	55	52	72	67	65	61	59	57	76	73	72	69	66	64				
	2000	68	61	58	54	51	47	71	65	64	60	57	53	74	68	66	62	60	57	78	75	73	70	67	66				
	2300	69	63	61	56	52	49	73	67	65	61	58	55	75	70	67	63	60	58	80	76	75	70	68	67				
14	1100	58	51	49	46	43	40	63	58	54	53	52	52	64	61	57	56	54	54	69	68	67	64	62	62				
	1500	61	54	52	48	46	42	65	59	56	54	53	52	67	62	59	57	56	55	72	70	68	65	63	63				
	1900	64	57	55	51	47	44	68	62	58	55	54	53	70	64	61	58	56	56	74	71	69	66	64	63				
	2100	65	58	56	52	48	45	69	63	59	56	54	54	71	67	64	60	58	57	76	72	69	67	65	64				
	2300	66	59	57	53	49	46	70	63	60	56	55	54	73	67	65	60	58	57	77	73	70	68	66	64				
	2700	68	60	59	54	50	47	72	65	62	58	56	55	74	68	65	61	59	58	79	74	72	69	67	65				
	3100	70	62	61	56	52	48	74	66	64	60	57	56	76	69	67	62	60	59	80	75	74	70	68	67				
16	1600	60	52	51	46	43	41	63	57	54	54	52	51	66	59	57	56	54	53	70	65	64	62	62	60				
	2100	63	55	54	49	46	43	67	60	57	55	54	51	69	63	60	58	56	54	73	70	67	65	64	62				
	2600	65	57	56	51	47	45	69	63	59	56	54	53	71	66	62	59	57	56	76	74	69	68	67	65				
	2800	66	58	57	52	48	45	70	64	60	56	54	53	74	68	65	60	58	57	76	74	70	68	67	65				
	3100	67	59	58	53	49	46	71	65	61	57	55	54	75	69	65	60	58	57	78	75	71	69	67	66				
	3600	69	61	59	54	50	47	73	67	63	58	56	54	75	69	66	61	59	57	80	77	73	70	68	67				
	4100	71	63	62	56	51	49	75	68	67	60	57	55	77	71	69	62	60	58	81	79	74	70	68	68				
19	2500	69	65	59	57	57	51	72	70	67	63	63	59	73	73	71	68	65	62	77	78	77	76	74	71				
	3000	70	66	60	59	58	52	73	71	69	65	64	60	74	74	73	69	66	62	78	79	78	77	74	71				
	3500	71	68	61	61	60	55	74	72	70	66	66	61	75	75	74	70	68	63	79	80	79	78	75	72				
	4500	72	68	63	63	62	58	75	72	72	69	68	64	77	76	76	72	70	66	82	80	81	80	78	74				
	5400	73	70	66	65	65	61	76	73	73	71	70	67	77	78	79	75	70	68	84	82	83	83	79	76				
	5500	73	70	66	65	65	61	76	73	73	71	70	67	78	78	79	75	72	69	84	82	83	83	79	76				
	6500	75	72	71	68	67	63	78	73	74	72	71	69	80	79	80	77	73	71	87	84	85	85	80	78				
22	4000	71	69	64	60	56	54	75	73	70	66	62	60	77	76	74	70	65	63	82	81	81	79	75	72				
	5000	72	69	66	63	59	57	77	74	74	68	64	62	79	76	76	72	67	65	84	81	83	80	76	73				
	6000	74	70	69	66	62	60	79	74	76	71	67	65	81	77	78	74	70	68	85	82	85	82	77	75				
	7000	77	71	71	68	64	63	80	76	77	73	69	67	81	78	79	75	71	69	86	83	86	83	79	76				
	7100	77	71	71	68	64	63	80	76	77	73	69	67	82	80	82	76	71	69	86	83	86	83	79	76				
	8000	79	72	74	70	66	65	81	77	78	75	71	69	83	80	82	77	73	71	87	84	88	84	80	77				

- Performance data obtained from tests conducted in accordance with AHRI Standard 880.
- Sound levels are expressed in decibels, dB re: 1 x 10⁻¹² watts
- Duct end corrections included in sound power levels per AHRI Standard 880.
- Certified AHRI data is highlighted blue. Application data (not highlighted blue) is outside the scope of the certification program.

SOUND DATA

RADIATED SOUND POWER DATA - MODEL SDR

TERMINAL SIZE	OCTAVE BAND NUMBER																												
	CFM	0.5" ΔPs							1.0" ΔPs							1.5" ΔPs							3.0" ΔPs						
		2	3	4	5	6	7	2	3	4	5	6	7	2	3	4	5	6	7	2	3	4	5	6	7				
4	100	46	43	35	29	26	27	49	44	39	32	27	24	49	46	42	34	29	26	48	50	46	38	33	31				
	150	49	47	40	33	29	28	52	48	44	36	31	28	53	53	46	38	33	30	53	55	50	43	37	34				
	200	52	51	44	37	32	29	56	52	48	40	35	31	56	54	50	42	37	33	58	59	54	47	41	38				
	250	54	54	47	40	36	32	58	55	51	43	38	34	59	57	53	45	40	37	61	62	58	50	45	41				
5	100	42	36	33	27	23	20	45	40	37	29	25	22	46	42	40	32	27	24	47	47	44	36	32	30				
	200	46	44	40	33	28	28	49	48	44	36	31	28	50	49	46	38	33	29	52	53	50	43	37	34				
	250	49	47	43	36	31	28	51	51	47	39	33	29	53	52	49	41	35	32	54	54	53	45	40	36				
	300	51	49	45	38	34	30	54	53	49	41	36	32	55	55	51	43	38	34	56	57	56	48	42	39				
	350	54	52	47	40	36	32	57	55	51	43	38	35	57	57	54	45	40	37	58	59	58	50	45	41				
6	200	43	38	38	37	33	23	47	44	45	44	40	29	48	46	49	47	43	32	51	52	54	51	47	37				
	250	46	41	39	36	32	23	48	46	45	44	41	30	49	49	51	49	46	34	53	54	56	55	41	40				
	300	48	43	40	36	31	24	50	48	46	44	41	30	51	51	49	46	35	55	56	58	57	54	42	42				
	350	50	46	42	37	31	26	53	50	47	43	40	30	52	52	51	49	46	36	57	58	60	58	55	43				
	400	52	47	43	37	32	27	55	52	48	44	40	31	56	54	52	49	46	36	58	59	61	59	56	44				
	450	54	48	45	38	32	28	57	53	50	45	40	32	58	55	53	49	46	36	60	60	61	59	56	45				
8	300	46	37	38	33	28	24	49	46	42	38	33	29	50	48	45	41	37	30	53	53	52	47	43	35				
	400	49	40	40	35	30	24	52	47	44	39	35	30	54	49	47	43	38	32	58	56	54	49	44	37				
	500	50	42	41	36	32	25	53	48	46	41	37	31	54	50	49	44	40	33	57	57	55	51	46	40				
	600	53	44	43	38	33	26	56	50	47	42	38	31	57	52	50	46	41	34	60	58	57	52	47	41				
	700	56	45	44	39	34	27	58	52	48	44	39	32	58	56	52	47	42	35	62	60	58	53	48	42				
	800	58	47	45	40	35	28	60	53	50	45	40	33	61	56	53	48	43	36	64	61	59	54	50	43				
	1000	60	52	48	42	37	30	62	56	52	46	42	35	63	58	55	50	45	38	67	63	62	56	51	45				
10	600	49	40	38	32	27	28	53	47	43	37	31	29	54	50	46	40	34	31	58	58	57	49	42	36				
	800	51	42	40	34	28	29	55	49	45	38	33	30	56	52	48	42	37	32	60	59	57	50	43	38				
	1000	53	44	43	36	30	29	56	51	47	40	35	30	58	53	50	44	38	33	62	60	57	50	45	40				
	1100	54	45	44	37	31	29	56	52	48	41	36	31	59	55	53	44	39	34	63	60	58	51	45	40				
	1200	55	46	45	37	32	29	57	53	49	42	37	31	59	55	53	45	40	35	64	61	59	52	46	41				
	1400	57	48	46	39	33	29	59	54	50	43	38	33	60	56	54	47	42	36	65	62	60	53	48	43				
12	1600	61	51	48	40	34	29	63	56	52	45	40	34	64	58	55	48	43	38	67	63	62	54	49	44				
	800	47	41	39	33	30	29	51	49	47	40	37	33	52	52	50	43	40	36	54	60	58	52	47	43				
	1100	49	44	41	34	31	29	54	51	48	42	38	33	55	54	51	45	40	36	58	61	59	53	48	45				
	1400	51	46	42	35	32	29	56	52	50	43	39	34	57	54	52	46	42	37	60	62	60	54	49	46				
	1600	52	47	44	37	33	29	56	53	51	44	39	34	59	56	53	44	40	35	62	63	61	55	49	46				
	1700	53	48	44	37	33	29	56	53	51	44	39	34	59	56	54	47	42	37	63	63	61	55	49	46				
	2000	54	49	46	39	33	29	58	54	52	45	40	34	60	56	54	48	42	37	64	64	62	56	50	46				
14	2300	55	50	48	40	35	30	59	55	53	46	41	35	62	58	56	49	44	39	66	65	63	57	51	47				
	1100	47	42	36	34	30	53	49	42	39	40	36	35	55	52	45	42	42	38	60	60	54	50	47	45				
	1500	49	44	39	36	34	30	54	51	45	40	41	36	56	54	48	43	43	39	62	61	55	52	48	47				
	1900	51	46	42	37	34	30	56	53	47	43	43	37	58	55	49	46	45	40	63	62	56	53	51	48				
	2100	52	47	43	38	34	30	56	54	48	43	43	37	60	58	51	46	46	41	64	62	57	54	52	49				
	2300	53	48	44	38	34	30	57	54	48	43	43	37	60	58	52	46	46	41	65	63	58	54	53	50				
	2700	55	50	46	40	35	31	59	56	50	45	43	37	61	58	54	48	46	41	66	64	60	55	54	50				
16	3100	56	53	48	42	37	32	61	58	52	46	43	38	63	60	55	49	46	41	67	65	62	57	55	50				
	1600	48	44	37	35	30	53	49	43	40	36	33	35	55	52	46	42	38	35	60	62	56	50	46	41				
	2100	50	46	40	36	33	30	55	52	46	41	39	34	57	55	48	44	41	37	61	64	56	52	47	44				
	2600	53	48	43	39	35	31	57	53	47	43	40	36	59	56	50	46	43	39	63	64	58	53	49	46				
	2800	54	48	44	39	36	31	58	54	48	44	41	37	60	59	52	47	44	40	64	64	58	54	50	46				
	3100	55	49	45	41	37	32	59	55	49	45	42	38	61	59	52	48	45	41	65	65	59	55	51	47				
19	3600	56	51	47	42	38	34	61	57	51	47	43	39	63	59	54	50	47	43	67	66	61	56	53	49				
	4100	58	53	50	44	40	35	62	59	53	48	45	40	65	61	56	51	48	44	69	67	63	58	54	50				
	2500	59	57	54	47	41	33	65	60	60	52	46	39	66	63	63	55	50	42	70	67	63	57	50					
	3000	59	58	55	47	41	34	65	61	61	52	46	39	66	63	64	56	50	43	70	68	68	64	58	50				
	3500	60	59	56	48	42	35	66	62	62	53	47	40	67	64	65	57	51	44	71	68	69	64	59	51				
	4500	60	61	59	50	45	37	66	64	65	55	50	43	68	66	68	59	53	46	72	70	72	67	61	54				
	5400	62	62	62	52	48	40	67	66	68	57	52	45	68	68	71	61	56	49	73	72	75	69	64	57				
22	5500	62	63	63	53	48	40	67	66	68	58	53	46	68	68	71	62	56	49	73	72	76	70	64	57				
	6500	66	65	66	56	51	44	67	68	72	61	56	49	69	70	75	65	60	53	75	75	79	73	67	60				
	4000	59	60	56	48	42	36	65	63	62	53	47	41	66	66	65	57	51	46	70	71	72	67	60	54				
	5000	60	61	59	50	44	38	65	64	64	55	48	43	67	67	67	59	53	48	72	72	74	68	62	56				
	6000	62	62	61	51	46	40	65	65	66	56	50	45	67	68	70	61	54	49	72	73	76	70	64	58				
	7000	64	63	64	53	48	41	66	66	69	58	52	47	68	69	72	63	56	51	74	74	79	72	66	59				
	7100	64	63	64	54	48	41	66	66	69	59	53	47	69	69	73	63	57	51	74	74	79	72	66	59				
8000	66	64	66	55	50	43	67	67	71	60	54	48	70	70	75	65	58	53	75	75	81	74	68	61					

- Performance data obtained from tests conducted in accordance with AHRI Standard 880.
- Sound levels are expressed in decibels, dB re: 1 x 10⁻¹² watts
- Certified AHRI data is highlighted blue. Application data (not highlighted blue) is outside the scope of the certification program.

DISCHARGE SOUND POWER DATA - MODEL SDR - SA

TERMINAL SIZE	OCTAVE BAND NUMBER																				
	CFM	0.5" ΔPs						1.0" ΔPs						3.0" ΔPs							
		2	3	4	5	6	7	2	3	4	5	6	7	2	3	4	5	6	7		
4	100	52	47	35	29	21	22	55	51	42	34	24	24	55	54	48	41	30	28		
	150	55	52	39	32	23	22	61	57	45	37	27	23	63	62	54	45	35	32		
	200	60	56	43	35	24	25	66	61	48	40	29	26	68	67	58	48	37	34		
	250	64	59	46	41	28	26	70	63	51	43	32	27	73	71	62	50	39	34		
5	100	49	43	35	29	20	20	50	44	39	30	23	24	53	51	45	37	28	27		
	200	53	49	39	30	20	21	56	51	44	35	24	23	60	60	54	44	34	31		
	300	60	53	43	34	21	22	65	57	48	39	26	24	66	63	58	48	37	32		
	350	62	55	45	36	24	21	68	60	50	42	29	25	68	65	60	51	39	32		
6	200	49	45	35	28	19	22	54	50	43	32	22	23	59	58	51	43	32	29		
	250	56	49	38	30	22	23	59	54	46	35	23	23	61	59	53	45	33	31		
	300	59	52	41	32	22	23	61	57	48	37	25	23	64	62	57	46	35	31		
	350	59	54	44	35	23	24	62	60	51	40	27	24	65	64	59	48	37	33		
	450	60	55	46	37	23	24	65	61	54	42	28	24	69	66	61	50	38	36		
	550	64	59	50	42	26	26	67	65	57	46	32	29	73	70	65	52	39	38		
8	300	52	45	39	29	22	22	53	50	47	36	28	27	59	56	57	47	38	36		
	400	55	46	40	30	23	23	57	51	46	37	28	28	60	57	58	47	38	36		
	500	57	50	43	34	24	24	61	54	49	39	30	28	63	60	60	50	41	38		
	600	58	52	45	36	26	24	63	56	49	42	30	28	65	62	62	52	41	38		
	800	62	55	49	39	29	26	66	60	53	45	34	30	71	66	62	53	43	39		
	1000	66	60	53	44	33	29	69	64	57	49	40	32	75	69	65	55	44	40		
10	600	54	49	42	34	23	23	58	54	51	40	30	29	64	59	57	49	37	37		
	800	56	51	43	35	25	24	61	57	52	42	31	30	66	63	60	53	40	39		
	1000	59	54	47	38	28	26	63	59	54	44	34	32	70	66	62	55	43	40		
	1200	60	57	49	40	29	27	65	61	56	45	37	33	72	69	64	56	44	42		
	1400	62	59	51	43	32	29	67	63	58	48	40	35	74	70	66	58	46	44		
	1600	65	61	56	47	35	32	71	66	62	51	43	37	77	72	68	61	48	46		
12	800	52	49	44	35	28	26	55	55	54	45	36	33	61	59	58	51	42	40		
	1100	54	52	47	37	29	28	59	58	56	46	38	38	65	62	61	55	47	43		
	1400	56	54	50	40	32	28	62	60	57	47	40	38	66	66	66	58	49	45		
	1700	58	55	52	42	34	31	64	61	58	49	42	38	70	69	67	60	52	48		
	2000	61	59	54	45	37	33	66	62	60	51	45	40	74	71	69	61	53	51		
	2300	65	61	57	48	40	37	69	63	61	52	47	42	76	72	70	61	55	52		
14	1100	53	47	42	38	32	26	60	55	50	44	39	35	65	62	59	53	48	45		
	1500	57	50	45	39	34	28	62	57	52	45	41	38	67	65	62	57	51	48		
	1900	57	52	48	42	35	29	65	60	54	46	43	41	70	67	65	58	53	49		
	2300	60	56	51	45	38	32	66	61	56	47	45	43	72	69	65	60	56	51		
	2700	62	57	54	47	40	36	68	63	58	49	47	45	75	70	67	61	57	53		
	3100	64	59	56	49	42	37	67	64	60	51	48	46	77	72	68	61	58	56		
16	1600	54	48	43	36	32	27	58	54	50	47	39	34	64	59	53	51	48	43		
	2100	58	52	47	40	34	29	63	58	52	48	42	37	66	65	59	57	52	47		
	2600	59	53	50	43	36	30	66	61	54	49	43	41	70	70	63	62	56	51		
	3100	61	57	52	46	39	33	67	63	57	49	45	43	74	71	66	61	57	53		
	3600	62	59	56	47	41	36	68	64	60	50	47	44	77	74	68	62	58	55		
	4100	64	61	59	50	42	38	68	65	63	52	49	45	79	76	70	62	59	57		
19	2500	66	63	54	50	47	38	70	64	60	56	50	42	72	68	65	62	58	51		
	3000	67	64	56	53	49	41	71	67	63	58	52	46	74	71	68	66	61	54		
	3500	68	66	57	54	50	46	72	68	65	59	55	49	75	73	70	69	63	56		
	4500	69	66	59	56	52	49	73	69	68	61	58	53	79	76	75	71	68	61		
	5500	70	67	62	58	56	51	74	70	69	63	61	57	82	79	78	75	69	64		
	6500	72	69	67	60	58	53	75	70	69	64	63	59	85	81	80	77	71	67		
22	4000	68	66	60	53	46	41	73	68	66	58	50	46	78	73	74	69	63	57		
	5000	68	66	62	57	49	45	75	70	70	61	53	50	80	76	77	73	65	59		
	6000	71	68	65	60	53	49	77	72	73	63	57	54	82	78	79	73	67	62		
	7000	74	69	68	62	55	53	78	73	74	65	60	57	84	80	81	74	68	63		
	8000	76	70	71	64	57	55	78	74	74	67	63	59	85	81	82	75	70	65		

- Performance data obtained from tests conducted in accordance with AHRI Standard 880.
- Sound levels are expressed in decibels, dB re: 1 x 10⁻¹² watts
- Duct end corrections included in sound power levels per AHRI Standard 880.

SOUND DATA**RADIATED SOUND POWER DATA - MODEL SDR-SA**

TERMINAL SIZE	OCTAVE BAND NUMBER																		
	CFM	0.5" ΔPs						1.0" ΔPs						3.0" ΔPs					
		2	3	4	5	6	7	2	3	4	5	6	7	2	3	4	5	6	7
4	100	46	43	35	29	26	27	49	44	39	32	27	24	48	50	46	38	33	31
	150	49	47	40	33	29	28	52	48	44	36	31	28	53	55	50	43	37	34
	200	52	51	44	37	32	29	56	52	48	40	35	31	58	59	54	47	41	38
	250	54	54	47	40	36	32	58	55	51	43	38	34	61	62	58	50	45	41
5	100	42	36	33	27	23	20	45	40	37	29	25	22	47	47	44	36	32	30
	200	46	44	40	33	28	28	49	48	44	36	31	28	52	53	50	43	37	34
	300	51	49	45	38	34	30	54	53	49	41	36	32	56	57	56	48	42	39
	350	54	52	47	40	36	32	57	55	51	43	38	35	58	59	58	50	45	41
6	200	43	38	38	37	33	23	47	44	45	44	40	29	51	52	54	51	47	37
	250	46	41	39	36	32	23	48	46	45	44	41	30	53	54	56	55	51	40
	300	48	43	40	36	31	24	50	48	46	44	41	30	55	56	58	57	54	42
	350	50	46	42	37	31	26	53	50	47	43	40	30	57	58	60	58	55	43
	450	54	48	45	38	32	28	57	53	50	45	40	32	60	60	61	59	56	45
	550	60	53	49	43	36	30	64	58	53	46	41	34	63	63	62	57	55	46
8	300	46	37	38	33	28	24	49	46	42	38	33	29	53	53	52	47	43	35
	400	49	40	40	35	30	24	52	47	44	39	35	30	58	56	54	49	44	37
	500	50	42	41	36	32	25	53	48	46	41	37	31	57	57	55	51	46	40
	600	53	44	43	38	33	26	56	50	47	42	38	31	60	58	57	52	47	41
	800	58	47	45	40	35	28	60	53	50	45	40	33	64	61	59	54	50	43
	1000	60	52	48	42	37	30	62	56	52	46	42	35	67	63	62	56	51	45
10	600	49	40	38	32	27	28	53	47	43	37	31	29	58	58	57	49	42	36
	800	51	42	40	34	28	29	55	49	45	38	33	30	60	59	57	50	43	38
	1000	53	44	43	36	30	29	56	51	47	40	35	30	62	60	57	50	45	40
	1200	55	46	45	37	32	29	57	53	49	42	37	31	64	61	59	52	46	41
	1400	57	48	46	39	33	29	59	54	50	43	38	33	65	62	60	53	48	43
	1600	61	51	48	40	34	29	63	56	52	45	40	34	67	63	62	54	49	44
12	800	47	41	39	33	30	29	51	49	47	40	37	33	54	60	58	52	47	43
	1100	49	44	41	34	31	29	54	51	48	42	38	33	58	61	59	53	48	45
	1400	51	46	42	35	32	29	56	52	50	43	39	34	60	62	60	54	49	46
	1700	53	48	44	37	33	29	56	53	51	44	39	34	63	63	61	55	49	46
	2000	54	49	46	39	33	29	58	54	52	45	40	34	64	64	62	56	50	46
	2300	55	50	48	40	35	30	59	55	53	46	41	35	66	65	63	57	51	47
14	1100	47	42	36	34	34	30	53	49	42	39	40	36	60	60	54	50	47	45
	1500	49	44	39	36	34	30	54	51	45	40	41	36	62	61	55	52	48	47
	1900	51	46	42	37	34	30	56	53	47	43	43	37	63	62	56	53	51	48
	2300	53	48	44	38	34	30	57	54	48	43	43	37	65	63	58	54	53	50
	2700	55	50	46	40	35	31	59	56	50	45	43	37	66	64	60	55	54	50
	3100	56	53	48	42	37	32	61	58	52	46	43	38	67	65	62	57	55	50
16	1600	48	44	37	35	30	30	53	49	43	40	36	33	60	62	56	50	46	41
	2100	50	46	40	36	33	30	55	52	46	41	39	34	61	64	56	52	47	44
	2600	53	48	43	39	35	31	57	53	47	43	40	36	63	64	58	53	49	46
	3100	55	49	45	41	37	32	59	55	49	45	42	38	65	65	59	55	51	47
	3600	56	51	47	42	38	34	61	57	51	47	43	39	67	66	61	56	53	49
	4100	58	53	50	44	40	35	62	59	53	48	45	40	69	67	63	58	54	50
19	2500	59	57	54	47	41	33	65	60	60	52	46	39	70	67	67	63	57	50
	3000	59	58	55	47	41	34	65	61	61	52	46	39	70	68	68	64	58	50
	3500	60	59	56	48	42	35	66	62	62	53	47	40	71	68	69	64	59	51
	4500	60	61	59	50	45	37	66	64	65	55	50	43	72	70	72	67	61	54
	5500	62	63	63	53	48	40	67	66	68	58	53	46	73	72	76	70	64	57
	6500	66	65	66	56	51	44	67	68	72	61	56	49	75	75	79	73	67	60
22	4000	59	60	56	48	42	36	65	63	62	53	47	41	70	71	72	67	60	54
	5000	60	61	59	50	44	38	65	64	64	55	48	43	72	72	74	68	62	56
	6000	62	62	61	51	46	40	65	65	66	56	50	45	72	73	76	70	64	58
	7000	64	63	64	53	48	41	66	66	69	58	52	47	74	74	79	72	66	59
	8000	66	64	66	55	50	43	67	67	71	60	54	48	75	75	81	74	68	61

- Performance data obtained from tests conducted in accordance with AHRI Standard 880.
- Sound levels are expressed in decibels, dB re: 1 x 10⁻¹² watts

AHRI RATINGS

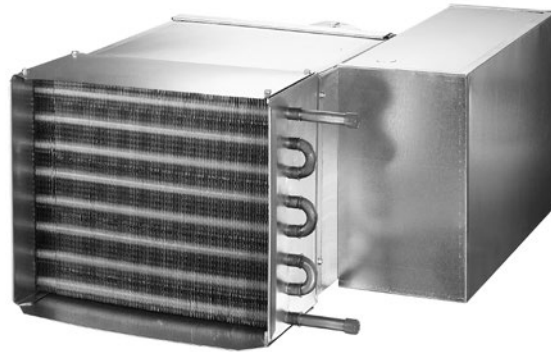
SIZE	RATED AIRFLOW CFM	MINIMUM OPERATING PRESSURE (IN. W.G.)	STANDARD RATINGS – SOUND POWER LEVEL, dB RE: 1×10^{-12} WATTS											
			1.5" WATER STATIC PRESSURE											
			RADIATED						DISCHARGE					
			Hz Octave Band Center Frequency						Hz Octave Band Center Frequency					
			125	250	500	1000	2000	4000	125	250	500	1000	2000	4000
4	150	0.01	53	53	46	38	33	30	68	67	58	54	49	48
5	250	0.02	53	52	49	41	35	32	70	68	59	55	51	50
6	400	0.10	56	54	52	49	46	36	69	67	60	57	52	52
8	700	0.03	58	56	52	47	42	35	69	67	62	60	57	55
10	1100	0.03	59	55	53	44	39	34	70	67	63	60	57	54
12	1600	0.04	59	56	53	44	40	35	71	67	64	61	59	57
14	2100	0.06	60	58	51	46	46	41	71	67	64	60	58	57
16	2800	0.04	60	59	52	47	44	40	74	68	65	60	58	57
19	5400	0.38	68	68	71	61	56	49	77	78	79	75	70	68
22	7100	0.20	69	69	73	63	57	51	82	80	82	76	71	69

- Rated in accordance with AHRI Standard 880
- Duct end corrections included in sound power levels per AHRI Standard 880.



HOT WATER COIL DATA

MODEL SDR-WC



STANDARD FEATURES

- Coils are designed, manufactured, and tested by ENVIRO-TEC
- Aluminum fin construction with die-formed spacer collars for uniform spacing
- Mechanically expanded copper tubes leak tested to 450 PSIG air pressure and rated at 300 PSIG working pressure at 200°F
- Male sweat type water connections
- 1, 2, 3, and 4 row configurations

OPTIONAL FEATURES

- Low pressure steam coils
- Multi-circuit coils for reduced water pressure drop
- Opposite hand water connections
- Bottom and top access plates for cleaning

SELECTION PROCEDURE

SDR-WC Hot Water Coil Performance Tables are based upon a temperature difference of 125°F between the entering water and the entering air. If this ΔT is suitable, proceed directly to the tables for selection. All pertinent performance data is tabulated. **For Variable Air Volume Applications, the static pressure drop must be based on the maximum air volume.**

ENTERING WATER - AIR TEMPERATURE DIFFERENTIAL (DT) CORRECTION FACTORS															
ΔT	20	25	30	35	40	45	50	55	60	65	70	75	80	85	90
FACTOR	0.15	0.19	0.23	0.27	0.31	0.35	0.39	0.43	0.47	0.51	0.55	0.59	0.63	0.67	0.71
ΔT	95	100	105	110	115	120	125	130	135	140	145	150	155	160	165
FACTOR	0.75	0.79	0.83	0.88	0.92	0.96	1.00	1.04	1.08	1.13	1.17	1.21	1.25	1.29	1.33

The table above gives correction factors for various entering ΔT 's (difference between EWT and EAT). Multiply MBH values obtained from selection tables by the appropriate correction factor above to obtain the actual MBH value. Air and water pressure drop can be read directly from the selection tables. The LAT and LWT can be calculated from the following fundamental formulas:

$$LAT = EAT + \frac{BTUH}{1.085 \times CFM}$$

$$LWT = EWT - \frac{BTUH}{500 \times GPM}$$

DEFINITION OF TERMS

EAT Entering Air Temperature (°F)
 EWT Entering Water Temperature (°F)
 LWT Leaving Water Temperature (°F)
 LAT Leaving Air Temperature
 CFM Air Volume (Cubic Feet per Minute)

GPM Water Capacity (Gallons per Minute)
 MBH 1,000 BTUH
 BTUH Coil Heating Capacity
 (British Thermal Units per Hour)

MODEL SDR-WC - SIZES 4,5,6

AIRFLOW			WATER FLOW			LAT (°F)		LWT (°F)		CAPACITY (MBH)	
Rate (CFM)	Air PD (IN.W.G.)		Rate (GPM)	Water PD (FT.W.G.)		1 Row	2 Row	1 Row	2 Row	1 Row	2 Row
				1 Row	2 Row						
50	1 Row	0.01	0.5	0.3	0.1	123.7	149.3	164.7	159.1	3.7	5.1
			1.0	1.0	0.3	128.4	155.8	171.8	168.8	4.0	5.5
	2 Row	0.01	2.0	3.4	0.9	131.2	159.3	175.8	174.2	4.1	5.7
			4.0	12.2	3.4	132.7	161.2	177.8	177.0	4.2	5.8
100	1 Row	0.01	0.5	0.3	0.1	105.7	127.4	157.5	147.9	5.5	7.8
			1.0	1.0	0.3	111.2	137.0	167.5	161.8	6.1	8.9
	2 Row	0.02	2.0	3.4	1.0	114.6	142.8	173.4	170.2	6.5	9.5
			4.0	12.2	3.4	116.5	146.2	176.6	174.9	6.7	9.9
150	1 Row	0.02	0.5	0.3	0.1	96.0	114.0	152.7	140.8	6.7	9.6
			1.0	1.0	0.3	101.7	124.7	164.4	156.8	7.6	11.3
	2 Row	0.03	2.0	3.4	1.0	105.3	131.7	171.6	167.2	8.2	12.5
			4.0	12.2	3.4	107.5	135.8	175.6	173.3	8.5	13.1
200	1 Row	0.03	0.5	0.3	0.1	89.8	104.9	149.1	135.8	7.5	10.8
			1.0	1.0	0.3	95.4	115.9	162.0	153.0	8.8	13.2
	2 Row	0.06	2.0	3.4	1.0	99.1	123.5	170.2	164.8	9.6	14.8
			4.0	12.2	3.4	101.4	128.1	174.8	171.9	10.0	15.8
250	1 Row	0.04	0.5	0.3	0.1	85.4	98.4	146.3	132.0	8.2	11.8
			1.0	1.0	0.3	90.9	109.3	160.1	149.9	9.7	14.7
	2 Row	0.08	2.0	3.4	1.0	94.6	117.1	169.0	162.7	10.7	16.8
			4.0	12.2	3.4	96.9	122.1	174.2	170.7	11.3	18.2
300	1 Row	0.06	0.5	0.3	0.1	82.1	93.4	144.0	129.0	8.8	12.5
			1.0	1.0	0.3	87.4	104.1	158.4	147.3	10.5	16.0
	2 Row	0.12	2.0	3.4	1.0	91.1	112.0	167.9	161.0	11.7	18.5
			4.0	12.2	3.4	93.4	117.2	173.6	169.6	12.5	20.2
350	1 Row	0.08	0.5	0.3	0.1	79.5	89.5	142.1	126.6	9.3	13.1
			1.0	1.0	0.3	84.6	99.9	157.0	145.2	11.2	17.0
	2 Row	0.15	2.0	3.4	1.0	88.3	107.8	167.0	159.5	12.6	20.0
			4.0	12.2	3.4	90.6	113.1	173.1	168.7	13.5	22.0
400	1 Row	0.10	0.5	0.3	0.1	77.4	86.4	140.4	124.6	9.7	13.6
			1.0	1.0	0.3	82.4	96.4	155.7	143.3	11.9	17.9
	2 Row	0.19	2.0	3.4	1.0	86.0	104.3	166.2	158.1	13.4	21.4
			4.0	12.2	3.4	88.3	109.6	172.6	167.8	14.4	23.7

MODEL SDR-WC - SIZE 8

AIRFLOW			WATER FLOW			LAT (°F)		LWT (°F)		CAPACITY (MBH)	
Rate (CFM)	Air PD (IN.W.G.)		Rate (GPM)	Water PD (FT.W.G.)		1 Row	2 Row	1 Row	2 Row	1 Row	2 Row
				1 Row	2 Row						
175	1 Row	0.02	0.5	0.3	0.1	95.7	113.1	148.4	135.0	7.7	11.0
			1.0	1.0	0.3	101.7	124.5	161.8	153.0	8.9	13.2
	2 Row	0.03	2.0	3.5	1.0	105.6	131.9	170.1	165.0	9.6	14.6
			4.0	12.7	3.5	107.9	136.2	174.8	172.1	10.0	15.4
250	1 Row	0.03	0.5	0.3	0.1	88.0	101.9	143.4	128.2	8.9	12.7
			1.0	1.0	0.3	94.0	113.5	158.4	147.6	10.6	15.8
	2 Row	0.06	2.0	3.6	1.0	97.9	121.6	168.1	161.5	11.6	18.0
			4.0	12.7	3.5	100.4	126.6	173.7	170.0	12.3	19.4
325	1 Row	0.05	0.5	0.3	0.1	83.0	94.4	139.7	123.5	9.9	13.9
			1.0	1.0	0.3	88.7	105.7	155.7	143.5	11.9	17.9
	2 Row	0.10	2.0	3.6	1.0	92.7	114.1	166.4	158.7	13.3	20.8
			4.0	12.7	3.6	95.2	119.5	172.7	168.3	14.1	22.7
400	1 Row	0.07	0.5	0.3	0.1	79.4	89.0	136.8	119.9	10.6	14.7
			1.0	1.0	0.3	84.9	99.9	153.4	140.2	13.0	19.5
	2 Row	0.14	2.0	3.6	1.0	88.8	108.3	165.0	156.3	14.7	23.1
			4.0	12.7	3.6	91.3	113.9	171.9	166.9	15.7	25.5
475	1 Row	0.09	0.5	0.3	0.1	76.7	85.0	134.4	117.1	11.2	15.4
			1.0	1.0	0.3	82.0	95.4	151.6	137.6	13.9	20.8
	2 Row	0.19	2.0	3.6	1.0	85.8	103.7	163.7	154.3	15.9	25.1
			4.0	12.7	3.6	88.3	109.4	171.2	165.6	17.1	28.0
550	1 Row	0.12	0.5	0.3	0.1	74.6	81.9	132.4	114.9	11.7	16.0
			1.0	1.0	0.3	79.6	91.7	149.9	135.3	14.7	21.9
	2 Row	0.25	2.0	3.6	1.0	83.4	100.0	162.6	152.6	16.9	26.8
			4.0	12.7	3.6	85.8	105.7	170.6	164.5	18.4	30.2
625	1 Row	0.15	0.5	0.3	0.1	72.9	79.3	130.6	113.0	12.1	16.5
			1.0	1.0	0.3	77.7	88.7	148.5	133.4	15.4	22.8
	2 Row	0.31	2.0	3.6	1.0	81.4	96.8	161.7	151.0	17.9	28.3
			4.0	12.7	3.6	83.8	102.5	170.0	163.5	19.5	32.2
700	1 Row	0.19	0.5	0.3	0.1	71.4	77.2	129.1	111.4	12.5	16.9
			1.0	1.0	0.3	76.1	86.2	147.3	131.7	16.0	23.7
	2 Row	0.38	2.0	3.6	1.0	79.7	94.1	160.8	149.7	18.7	29.6
			4.0	12.7	3.6	82.1	99.8	169.5	162.6	20.5	34.0

Data is based on 180°F entering water and 55°F entering air at sea level. See selection procedure for other conditions.

HOT WATER COIL DATA**MODEL SDR-WC - SIZE 10**

AIRFLOW			WATER FLOW			LAT (°F)		LWT (°F)		CAPACITY (MBH)	
Rate (CFM)	Air PD (IN.W.G.)		Rate (GPM)	Water PD (FT.W.G.)		1 Row	2 Row	1 Row	2 Row	1 Row	2 Row
				1 Row	2 Row						
300	1 Row 2 Row	0.02 0.04	0.5	0.3	0.1	89.6	103.0	134.1	116.4	11.2	15.6
			1.0	1.2	0.3	96.5	116.2	152.4	139.4	13.5	19.9
			2.0	4.2	1.2	101.1	125.3	164.6	156.6	15.0	22.9
			4.0	14.9	4.2	103.9	130.9	171.8	167.3	15.9	24.7
400	1 Row 2 Row	0.04 0.07	0.5	0.3	0.1	83.8	94.5	129.1	110.4	12.5	17.1
			1.0	1.2	0.3	90.4	107.3	148.6	133.7	15.4	22.7
			2.0	4.2	1.2	95.1	116.9	162.2	152.5	17.4	26.8
			4.0	14.9	4.2	98.0	123.0	170.4	164.9	18.6	29.5
500	1 Row 2 Row	0.05 0.11	0.5	0.3	0.1	79.8	88.6	125.2	106.0	13.4	18.2
			1.0	1.2	0.3	86.1	100.8	145.5	129.4	16.9	24.8
			2.0	4.2	1.2	90.7	110.5	160.2	149.3	19.3	30.0
			4.0	14.9	4.2	93.6	116.9	169.3	162.8	20.9	33.5
600	1 Row 2 Row	0.07 0.15	0.5	0.3	0.1	76.8	84.2	122.2	102.8	14.2	19.0
			1.0	1.2	0.3	82.9	95.8	143.0	125.9	18.1	26.5
			2.0	4.2	1.2	87.4	105.4	158.4	146.5	21.0	32.7
			4.0	14.9	4.2	90.3	111.9	168.2	161.0	22.9	37.0
700	1 Row 2 Row	0.10 0.19	0.5	0.3	0.1	74.5	80.9	119.7	100.2	14.8	19.6
			1.0	1.2	0.3	80.3	91.8	140.8	123.1	19.2	27.9
			2.0	4.2	1.2	84.7	101.2	156.9	144.1	22.5	35.1
			4.0	15.0	4.2	87.6	107.9	167.3	159.4	24.7	40.1
800	1 Row 2 Row	0.12 0.25	0.5	0.3	0.1	72.7	78.3	117.6	98.1	15.3	20.2
			1.0	1.2	0.3	78.2	88.6	138.9	120.7	20.1	29.1
			2.0	4.2	1.2	82.5	97.8	155.6	142.1	23.8	37.1
			4.0	15.0	4.2	85.3	104.4	166.5	158.0	26.3	42.8
900	1 Row 2 Row	0.15 0.30	0.5	0.3	0.1	71.2	76.1	115.7	96.4	15.8	20.6
			1.0	1.2	0.3	76.5	85.9	137.3	118.6	20.9	30.1
			2.0	4.2	1.2	80.6	94.9	154.4	140.3	25.0	38.9
			4.0	15.0	4.2	83.4	101.5	165.8	156.8	27.7	45.3
1000	1 Row 2 Row	0.18 0.37	0.5	0.3	0.1	69.9	74.4	114.2	94.9	16.2	21.0
			1.0	1.2	0.3	75.0	83.6	135.8	116.8	21.6	31.0
			2.0	4.2	1.2	79.1	92.4	153.3	138.7	26.1	40.5
			4.0	15.0	4.2	81.8	98.9	165.1	155.6	29.1	47.6

MODEL SDR-WC - SIZE 12

AIRFLOW			WATER FLOW			LAT (°F)		LWT (°F)		CAPACITY (MBH)	
Rate (CFM)	Air PD (IN.W.G.)		Rate (GPM)	Water PD (FT.W.G.)		1 Row	2 Row	1 Row	2 Row	1 Row	2 Row
				1 Row	2 Row						
400	1 Row 2 Row	0.02 0.04	0.5	0.4	0.1	87.5	98.9	122.5	102.7	14.1	19.0
			1.0	1.4	0.4	95.3	113.5	144.3	128.3	17.4	25.3
			2.0	4.9	1.4	100.6	124.0	159.7	149.4	19.8	29.9
			4.0	17.4	4.9	103.9	130.5	169.1	163.2	21.2	32.7
550	1 Row 2 Row	0.04 0.07	0.5	0.4	0.1	81.3	89.8	116.2	95.8	15.7	20.7
			1.0	1.4	0.4	88.6	103.5	139.1	121.1	20.0	28.9
			2.0	4.9	1.4	93.9	114.5	156.2	143.8	23.2	35.4
			4.0	17.4	4.9	97.3	121.6	167.1	159.7	25.2	39.7
700	1 Row 2 Row	0.05 0.11	0.5	0.4	0.1	77.1	83.8	111.7	91.3	16.8	21.9
			1.0	1.4	0.4	84.0	96.6	135.1	115.8	22.0	31.5
			2.0	5.0	1.4	89.2	107.4	153.4	139.4	25.9	39.7
			4.0	17.4	4.9	92.6	114.9	165.4	156.7	28.5	45.4
850	1 Row 2 Row	0.08 0.16	0.5	0.4	0.1	74.2	79.6	108.2	88.1	17.7	22.7
			1.0	1.4	0.4	80.6	91.4	131.8	111.8	23.6	33.5
			2.0	5.0	1.4	85.7	102.0	151.1	135.8	28.3	43.3
			4.0	17.5	5.0	89.0	109.6	163.9	154.3	31.3	50.3
1000	1 Row 2 Row	0.10 0.21	0.5	0.4	0.1	71.9	76.5	105.4	85.6	18.4	23.3
			1.0	1.4	0.4	78.0	87.4	129.1	108.6	24.9	35.1
			2.0	5.0	1.4	82.9	97.7	149.0	132.8	30.2	46.2
			4.0	17.5	5.0	86.2	105.3	162.6	152.1	33.8	54.5
1150	1 Row 2 Row	0.13 0.27	0.5	0.4	0.1	70.2	74.1	103.1	83.7	18.9	23.8
			1.0	1.4	0.4	75.9	84.3	126.8	105.9	26.1	36.4
			2.0	5.0	1.4	80.7	94.2	147.3	130.2	32.0	48.8
			4.0	17.5	5.0	83.9	101.7	161.5	150.2	36.1	58.2
1300	1 Row 2 Row	0.17 0.33	0.5	0.4	0.1	68.8	72.2	101.1	82.1	19.4	24.2
			1.0	1.4	0.4	74.2	81.7	124.8	103.7	27.1	37.5
			2.0	5.0	1.4	78.8	91.2	145.7	128.0	33.5	51.0
			4.0	17.5	5.0	82.0	98.7	160.5	148.5	38.1	61.5
1450	1 Row 2 Row	0.20 0.40	0.5	0.4	0.1	67.6	70.6	99.5	80.8	19.8	24.5
			1.0	1.4	0.4	72.8	79.5	123.1	101.8	27.9	38.5
			2.0	5.0	1.4	77.2	88.7	144.3	126.1	34.9	52.9
			4.0	17.5	5.0	80.4	96.1	159.6	147.0	39.9	64.5

Data is based on 180°F entering water and 55°F entering air at sea level. See selection procedure for other conditions.

MODEL SDR-WC - SIZE 14

AIRFLOW			WATER FLOW			LAT (°F)		LWT (°F)		CAPACITY (MBH)	
Rate (CFM)	Air PD (IN.W.G.)		Rate (GPM)	Water PD (FT.W.G.)		1 Row	2 Row	1 Row	2 Row	1 Row	2 Row
				1 Row	2 Row						
700	1 Row	0.03	0.5	0.5	0.1	80.2	87.0	102.4	81.8	19.1	24.2
			1.0	1.7	0.5	88.6	102.1	128.1	107.4	25.5	35.7
	2 Row	0.06	2.0	6.0	1.7	94.9	114.8	149.0	133.7	30.3	45.4
			4.0	21.0	6.0	99.1	123.3	162.9	153.5	33.4	51.8
900	1 Row	0.04	0.5	0.5	0.1	75.9	81.0	97.3	77.5	20.4	25.3
			1.0	1.7	0.5	83.7	94.7	123.1	101.4	27.9	38.7
	2 Row	0.09	2.0	6.0	1.7	89.9	107.2	145.2	128.1	34.0	50.9
			4.0	21.1	6.0	94.0	116.1	160.5	149.5	38.0	59.6
1100	1 Row	0.06	0.5	0.5	0.1	72.9	76.9	93.5	74.6	21.3	26.0
			1.0	1.7	0.5	80.1	89.3	119.1	97.0	29.9	40.9
	2 Row	0.13	2.0	6.1	1.7	86.1	101.4	142.1	123.6	37.0	55.3
			4.0	21.1	6.0	90.2	110.5	158.5	146.2	41.9	66.1
1300	1 Row	0.08	0.5	0.5	0.1	70.6	73.9	90.6	72.5	22.0	26.6
			1.0	1.8	0.5	77.4	85.3	115.8	93.6	31.5	42.6
	2 Row	0.17	2.0	6.1	1.7	83.1	96.9	139.5	120.0	39.6	58.9
			4.0	21.1	6.0	87.2	105.9	156.8	143.4	45.3	71.7
1500	1 Row	0.11	0.5	0.5	0.1	68.9	71.6	88.3	70.9	22.6	27.0
			1.0	1.8	0.5	75.2	82.1	113.1	90.8	32.9	44.0
	2 Row	0.22	2.0	6.1	1.8	80.8	93.2	137.2	116.9	41.9	62.0
			4.0	21.2	6.1	84.7	102.1	155.2	140.9	48.3	76.5
1700	1 Row	0.14	0.5	0.5	0.1	67.5	69.8	86.3	69.6	23.1	27.3
			1.0	1.8	0.5	73.5	79.5	110.8	88.6	34.0	45.1
	2 Row	0.27	2.0	6.1	1.8	78.8	90.1	135.2	114.3	43.9	64.6
			4.0	21.2	6.1	82.7	98.9	153.9	138.7	51.0	80.8
1900	1 Row	0.17	0.5	0.5	0.1	66.4	68.4	84.7	68.6	23.5	27.5
			1.0	1.8	0.5	72.0	77.4	108.8	86.7	35.0	46.0
	2 Row	0.33	2.0	6.1	1.8	77.2	87.5	133.4	112.0	45.6	66.9
			4.0	21.2	6.1	81.0	96.1	152.6	136.8	53.5	84.7
2100	1 Row	0.20	0.5	0.5	0.1	65.5	67.2	83.3	67.8	23.9	27.8
			1.0	1.8	0.5	70.8	75.6	107.0	85.1	35.9	46.8
	2 Row	0.40	2.0	6.1	1.8	75.8	85.3	131.8	110.0	47.2	68.8
			4.0	21.2	6.1	79.5	93.7	151.5	135.0	55.7	88.1

MODEL SDR-WC - SIZE 16

AIRFLOW			WATER FLOW			LAT (°F)		LWT (°F)		CAPACITY (MBH)	
Rate (CFM)	Air PD (IN.W.G.)		Rate (GPM)	Water PD (FT.W.G.)		1 Row	2 Row	1 Row	2 Row	1 Row	2 Row
				1 Row	2 Row						
1600	1 Row	0.09	0.5	0.6	0.1	68.9	71.2	82.5	66.6	24.1	28.1
			1.0	1.9	0.6	75.6	82.1	107.4	85.0	35.7	46.9
	2 Row	0.18	2.0	6.6	1.9	81.7	94.0	132.8	111.3	46.3	67.5
			4.0	22.9	6.6	86.1	103.7	152.4	136.9	53.9	84.4
1800	1 Row	0.11	0.5	0.6	0.1	67.6	69.5	80.7	65.5	24.5	28.3
			1.0	1.9	0.6	73.9	79.6	105.1	82.9	36.9	47.9
	2 Row	0.22	2.0	6.6	1.9	79.8	91.0	130.7	108.7	48.3	70.1
			4.0	22.9	6.6	84.1	100.6	150.9	134.6	56.8	88.9
2000	1 Row	0.13	0.5	0.6	0.1	66.5	68.2	79.2	64.7	24.9	28.5
			1.0	1.9	0.6	72.5	77.5	103.1	81.2	37.9	48.8
	2 Row	0.26	2.0	6.6	1.9	78.1	88.4	128.8	106.4	50.1	72.4
			4.0	23.0	6.6	82.4	97.9	149.6	132.6	59.4	92.9
2200	1 Row	0.16	0.5	0.6	0.1	65.6	67.0	78.0	64.0	25.2	28.7
			1.0	1.9	0.6	71.3	75.8	101.3	79.7	38.7	49.5
	2 Row	0.31	2.0	6.6	1.9	76.7	86.2	127.2	104.4	51.8	74.4
			4.0	23.0	6.6	80.9	95.5	148.4	130.7	61.8	96.6
2400	1 Row	0.18	0.5	0.6	0.1	64.8	66.1	76.8	63.4	25.5	28.8
			1.0	1.9	0.6	70.2	74.3	99.7	78.4	39.5	50.2
	2 Row	0.37	2.0	6.6	1.9	75.5	84.3	125.6	102.6	53.3	76.2
			4.0	23.0	6.6	79.6	93.4	147.3	129.1	64.0	99.9
2600	1 Row	0.21	0.5	0.6	0.1	64.1	65.3	75.9	62.9	25.7	29.0
			1.0	1.9	0.6	69.3	73.0	98.3	77.3	40.2	50.7
	2 Row	0.42	2.0	6.6	1.9	74.4	82.6	124.2	101.0	54.7	77.8
			4.0	23.0	6.6	78.4	91.5	146.2	127.5	66.0	102.9
2800	1 Row	0.24	0.5	0.6	0.1	63.6	64.6	75.0	62.5	25.9	29.1
			1.0	1.9	0.6	68.5	71.9	97.0	76.3	40.9	51.2
	2 Row	0.48	2.0	6.7	1.9	73.5	81.1	123.0	99.6	56.0	79.2
			4.0	23.0	6.6	77.4	89.9	145.2	126.1	67.9	105.7
3000	1 Row	0.27	0.5	0.6	0.1	63.0	64.0	74.2	62.1	26.1	29.2
			1.0	1.9	0.6	67.8	70.9	95.9	75.4	41.4	51.7
	2 Row	0.55	2.0	6.7	1.9	72.6	79.8	121.8	98.3	57.1	80.5
			4.0	23.1	6.6	76.5	88.3	144.3	124.8	69.7	108.3

Data is based on 180°F entering water and 55°F entering air at sea level. See selection procedure for other conditions.

HOT WATER COIL DATA

MODEL SDR-WC - SIZE 19

AIRFLOW			WATER FLOW			LAT (°F)		LWT (°F)		CAPACITY (MBH)	
Rate (CFM)	Air PD (IN.W.G.)		Rate (GPM)	Water PD (FT.W.G.)		1 Row	2 Row	1 Row	2 Row	1 Row	2 Row
				1 Row	2 Row						
2300	1 Row 2 Row	0.11 0.23	0.5	0.6	0.1	65.7	66.9	72.3	60.5	26.6	29.6
			1.0	2.2	0.6	71.9	76.1	94.6	73.8	42.1	52.5
			2.0	7.4	2.2	78.1	87.5	121.5	97.9	57.4	80.9
			4.0	25.6	7.4	82.8	97.9	144.5	125.5	69.4	106.9
2600	1 Row 2 Row	0.14 0.28	0.5	0.6	0.1	64.6	65.6	70.8	59.9	27.0	29.7
			1.0	2.2	0.6	70.3	73.9	92.4	72.2	43.2	53.3
			2.0	7.4	2.2	76.2	84.6	119.1	95.3	59.8	83.5
			4.0	25.7	7.4	80.9	94.8	142.7	122.9	72.9	112.0
2900	1 Row 2 Row	0.17 0.34	0.5	0.6	0.1	63.7	64.5	69.7	59.4	27.3	29.8
			1.0	2.2	0.6	69.1	72.2	90.4	70.8	44.2	54.0
			2.0	7.5	2.2	74.7	82.3	117.0	93.0	61.8	85.7
			4.0	25.7	7.4	79.2	92.1	141.1	120.6	76.1	116.6
3200	1 Row 2 Row	0.21 0.41	0.5	0.6	0.1	62.9	63.6	68.7	59.0	27.5	29.9
			1.0	2.2	0.6	68.0	70.7	88.7	69.7	45.0	54.6
			2.0	7.5	2.2	73.4	80.3	115.2	91.1	63.7	87.6
			4.0	25.8	7.4	77.8	89.8	139.6	118.5	79.0	120.7
3500	1 Row 2 Row	0.24 0.48	0.5	0.6	0.1	62.3	62.9	67.8	58.7	27.7	30.0
			1.0	2.2	0.6	67.1	69.5	87.3	68.7	45.7	55.0
			2.0	7.5	2.2	72.2	78.6	113.5	89.5	65.3	89.3
			4.0	25.8	7.5	76.6	87.8	138.3	116.7	81.7	124.4
3800	1 Row 2 Row	0.28 0.56	0.5	0.6	0.1	61.8	62.3	67.1	58.4	27.9	30.1
			1.0	2.2	0.6	66.3	68.5	86.0	67.9	46.4	55.4
			2.0	7.5	2.2	71.2	77.1	112.0	88.0	66.8	90.8
			4.0	25.8	7.5	75.4	86.0	137.0	115.0	84.2	127.7
4100	1 Row 2 Row	0.32 0.64	0.5	0.6	0.1	61.3	61.8	66.5	58.2	28.1	30.2
			1.0	2.2	0.6	65.6	67.6	84.8	67.2	47.0	55.8
			2.0	7.5	2.2	70.4	75.7	110.6	86.7	68.2	92.1
			4.0	25.8	7.5	74.5	84.4	135.8	113.5	86.5	130.7
4400	1 Row 2 Row	0.36 0.73	0.5	0.6	0.1	60.9	61.3	65.9	58.0	28.2	30.2
			1.0	2.2	0.6	65.0	66.8	83.7	66.6	47.5	56.1
			2.0	7.5	2.2	69.6	74.6	109.4	85.5	69.5	93.3
			4.0	25.9	7.5	73.6	83.0	134.8	112.1	88.6	133.5

MODEL SDR-WC - SIZE 22

AIRFLOW			WATER FLOW			LAT (°F)		LWT (°F)		CAPACITY (MBH)	
Rate (CFM)	Air PD (IN.W.G.)		Rate (GPM)	Water PD (FT.W.G.)		1 Row	2 Row	1 Row	2 Row	1 Row	2 Row
				1 Row	2 Row						
3100	1 Row 2 Row	0.16 0.31	0.5	0.7	0.1	63.4	64.0	66.6	58.0	28.0	30.2
			1.0	2.3	0.7	68.8	71.6	86.0	67.6	46.4	55.6
			2.0	8.0	2.3	74.7	81.9	112.8	88.6	66.1	90.2
			4.0	27.5	8.0	79.5	92.2	137.9	116.4	82.4	124.9
3500	1 Row 2 Row	0.19 0.39	0.5	0.7	0.1	62.5	63.0	65.5	57.6	28.3	30.3
			1.0	2.3	0.7	67.5	69.8	84.0	66.4	47.4	56.2
			2.0	8.0	2.3	73.1	79.4	110.4	86.3	68.4	92.5
			4.0	27.6	8.0	77.8	89.3	135.9	113.8	86.3	130.1
3900	1 Row 2 Row	0.23 0.47	0.5	0.7	0.1	61.8	62.2	64.7	57.4	28.5	30.4
			1.0	2.3	0.7	66.4	68.4	82.3	65.4	48.2	56.7
			2.0	8.0	2.3	71.7	77.4	108.3	84.3	70.5	94.5
			4.0	27.6	8.0	76.2	86.9	134.2	111.5	89.7	134.7
4300	1 Row 2 Row	0.28 0.56	0.5	0.7	0.1	61.2	61.5	63.9	57.1	28.7	30.4
			1.0	2.3	0.7	65.5	67.3	80.8	64.5	49.0	57.1
			2.0	8.0	2.3	70.5	75.6	106.5	82.6	72.3	96.1
			4.0	27.7	8.0	74.9	84.8	132.6	109.4	92.9	138.8
4700	1 Row 2 Row	0.33 0.66	0.5	0.7	0.1	60.7	61.0	63.3	56.9	28.9	30.5
			1.0	2.3	0.7	64.7	66.3	79.6	63.9	49.6	57.5
			2.0	8.1	2.3	69.5	74.2	104.8	81.2	74.0	97.6
			4.0	27.7	8.0	73.8	83.0	131.2	107.6	95.7	142.4
5100	1 Row 2 Row	0.38 0.76	0.5	0.7	0.1	60.2	60.5	62.8	56.8	29.0	30.5
			1.0	2.3	0.7	64.1	65.5	78.4	63.3	50.2	57.8
			2.0	8.1	2.3	68.7	72.9	103.4	79.9	75.4	98.8
			4.0	27.7	8.0	72.8	81.4	129.8	106.0	98.4	145.7
5500	1 Row 2 Row	0.43 0.87	0.5	0.7	0.1	59.9	60.1	62.3	56.7	29.1	30.5
			1.0	2.3	0.7	63.5	64.7	77.5	62.8	50.7	58.0
			2.0	8.1	2.3	67.9	71.8	102.0	78.8	76.8	100.0
			4.0	27.7	8.1	71.9	80.0	128.6	104.5	100.8	148.7
5900	1 Row 2 Row	0.49 0.99	0.5	0.7	0.1	59.6	59.8	62.0	56.6	29.2	30.6
			1.0	2.3	0.7	63.0	64.1	76.6	62.3	51.1	58.2
			2.0	8.1	2.3	67.2	70.8	100.8	77.8	78.0	101.0
			4.0	27.8	8.1	71.1	78.7	127.5	103.1	103.0	151.4

Data is based on 180°F entering water and 55°F entering air at sea level. See selection procedure for other conditions.

ELECTRIC HEAT

MODEL SDR-EH

STANDARD FEATURES

- cETL listed as an assembly
- Single point power connection
- Primary auto-reset high limit
- Secondary high limit
- Airflow switch
- Hinged control panel
- Ni-Chrome elements
- Primary/secondary power terminations
- Fusing per NEC
- Wiring diagram and ETL label
- Available kW increments are as follows:
0.5 to 8.0 kW - .50 kW; 8.0 to 16.0 kW - 1.0 kW
Above 16 kW - 2.0 kW



OPTIONAL FEATURES

- Disconnect (toggle or door interlocking)
- PE switches
- Mercury and magnetic contactors
- Manual reset secondary limit
- Proportional control (SSR)
- 24 V control transformer

SELECTION PROCEDURE

With standard heater elements, the maximum capacity (kW) is obtained by dividing the heating (minimum) SCFM by 70. In other words, the terminal must have at least 70 SCFM per kW. In addition, each size terminal has a maximum allowable kW based upon the specific heater element configuration (i.e. voltage, phase, number of steps, etc.). Contact your representative or refer to the web-based Computer Selection Program “Web-Select” for design assistance.

Heaters require a minimum of 0.07” w.g. downstream static pressure to ensure proper operation. **For units with electric heat, a minimum 0.03” w.g. differential is required to satisfy the airflow switch in the electric heater.**

Selection Equations

$$kW = \frac{SCFM \times \Delta T \times 1.085^*}{3413}$$

$$SCFM = \frac{kW \times 3413}{\Delta T \times 1.085^*}$$

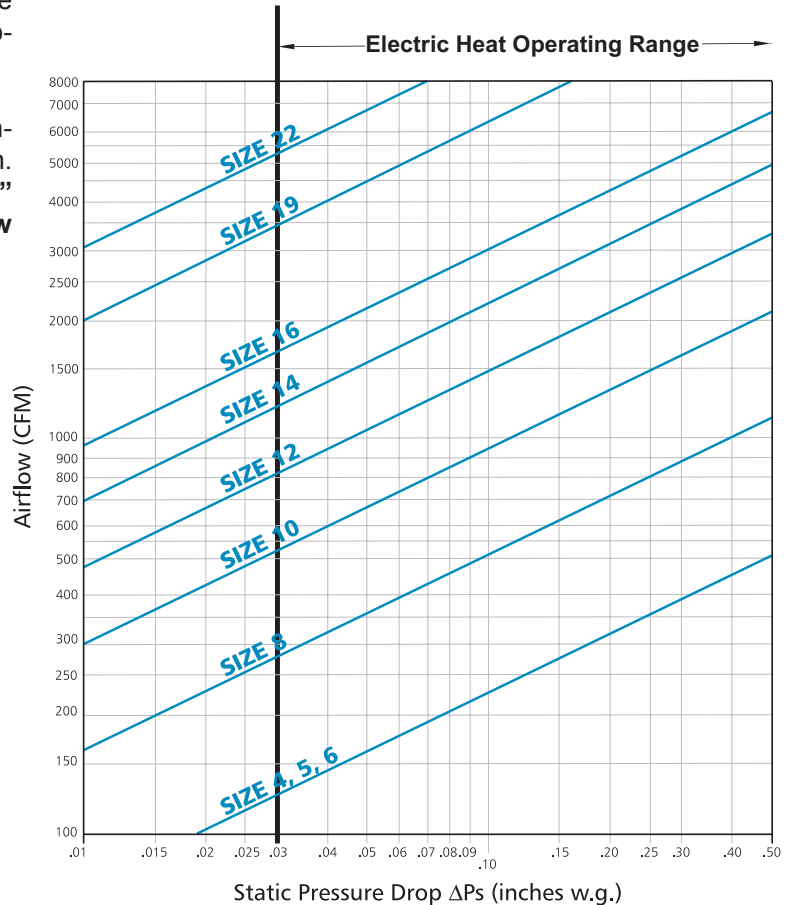
$$\Delta T = \frac{kW \times 3413}{SCFM \times 1.085^*}$$

* Air density at sea level - reduce by 0.036 for each 1000 feet of altitude above sea level.

Calculating Line Amperage

$$\text{Single Phase Amps} = \frac{kW \times 1000}{\text{Volts}}$$

$$\text{Three Phase Amps} = \frac{kW \times 1000}{\text{Volts} \times 1.73}$$



NOTES:

1. Electric heat will not operate below 0.03” w.g. differential pressure.

GUIDE SPECIFICATIONS

GENERAL

Furnish and install ENVIRO-TEC Model SDR Single Duct Variable Air Volume Terminal Units of the sizes and capacities as scheduled. Terminals shall be certified by AHRI and bear the AHRI 880 seal.

CONSTRUCTION

Terminals shall be constructed of not less than 22 gauge galvanized steel, able to withstand a 125 hour salt spray test per ASTM B-117. Stainless steel casings, or galvanized steel casings with a baked enamel paint finish, may be used as an alternative. The terminal casing shall be mechanically assembled (spot-welded casings are not acceptable).

Casing shall be internally lined with 1/2" thick fiberglass insulation, rated for a maximum air velocity of 5000 f.p.m. Maximum thermal conductivity shall be .24 (BTU • in) / (hr • ft² • °F). Insulation must meet all requirements of ASTM C1071 (including C665), UL 181 for erosion, and carry a 25/50 rating for flame spread/smoke developed per ASTM E-84, UL 723 and NFPA 90A. Raw insulation edges on the discharge of the unit must be covered with metal liner to eliminate flaking of insulation during field duct connections. Simple "buttering" of raw edges with an approved sealant is not acceptable.

All appurtenances including control assemblies, control enclosures, hot water heating coils, and electric heating coils shall not extend beyond the top and bottom of the unit casing. At an inlet velocity of 2000 f.p.m., the static pressure drop across the basic terminal or basic terminal with a sound attenuator shall not exceed .08" W.G. for all unit sizes.

PRIMARY AIR VALVE

The primary air valve shall consist of a minimum 22 gauge cylindrical body that includes embossment rings for rigidity. The damper blade shall be connected to a solid shaft by means of an integral molded sleeve which does not require screw or bolt fasteners. The shaft shall be manufactured of a low thermal conducting composite material, and include a molded damper position indicator visible from the exterior of the unit. The damper shall pivot in self lubricating bearings. The damper actuator shall be mounted on the exterior of the terminal for ease of service. The valve assembly shall include internal mechanical stops for both full open and closed positions. The damper blade seal shall be secured without use of adhesives. The air valve leakage shall not exceed 1% of maximum inlet rated airflow at 3" W.G. inlet pressure.

PRIMARY AIRFLOW SENSOR

For inlet diameters 6" or greater, the differential pressure airflow sensor shall traverse the duct along two perpendicular diameters. Cylindrically shaped inlets shall utilize the equal cross sectional area or log-linear traverse method. Single axis sensor shall not be acceptable for duct diameters 6" or larger. A minimum of 12 total pressure sensing points shall be utilized. The total pressure inputs shall be averaged using a pressure chamber located at the center of the sensor. A sensor that delivers the differential pressure signal from one end of the sensor is not acceptable. The sensor shall output an amplified differential pressure signal that is at least 2.5 times the equivalent velocity pressure signal obtained from a conventional pitot tube. The sensor shall develop a differential pressure of 0.03" w.g. at an air velocity of < 450 FPM. Documentation shall be submitted which substantiates this requirement. Balancing taps and airflow calibration charts shall be provided for field airflow measurements.

HOT WATER COIL

Single duct terminal shall include an integral hot water coil where indicated on the plans. The coil shall be manufactured by the terminal unit manufacturer and shall have a minimum 22 gauge galvanized sheet metal casing. Stainless steel casings, or galvanized steel casings with a baked enamel paint finish, may be used as an alternative. Coil to be constructed of pure aluminum fins with full fin collars maintaining accurate fin spacing and maximum tube contact. Fins shall be spaced with a minimum of 10 per inch and mechanically fixed to seamless copper tubes for maximum heat transfer.

Each coil shall be hydrostatically tested at a minimum of 450 PSIG under water, and rated for a maximum 300 PSIG working pressure at 200°F.

ELECTRIC HEATERS

Terminal shall include an integral electric heater where indicated on the plans. Heater shall be cETL listed. The heater cabinet shall be constructed of not less than 20 gauge galvanized steel. Stainless steel cabinets, or galvanized steel casings with a baked enamel paint finish, may be used as an alternative. Heater shall have a hinged access panel for entry to the controls.

Electric heaters shall be factory mounted to the terminal with the heating elements located upstream of the airflow control damper to ensure uniform velocity profile over the elements. Elements located downstream of the damper are not acceptable.

A power disconnect shall be furnished to render the heater non-operational. Heater shall be furnished with all controls necessary for safe operation and full compliance with UL 1996 and National Electric Code requirements.

Heater shall have a single point electrical connection. It shall include a primary disc-type automatic reset high temperature limit, secondary high limit(s), airflow switch, Ni-Chrome elements, and fusing per UL and NEC. Heater shall have complete wiring diagram with label indicating power requirement and kW output.

SOUND ATTENUATOR

Sound attenuator shall be provided where scheduled to meet acoustical performance requirements. The attenuator and terminal unit shall be single piece construction at least 50" long. Attenuator casing shall be constructed as specified for the base terminal.

MULTIPLE-OUTLET PLENUM

Multiple-outlet plenum (MOP) shall be provided where scheduled. The MOP shall have trim balancing dampers in each outlet. Damper shall have a locking quadrant to ensure that the damper position is maintained. Multiple-outlet casing shall be constructed as specified for the base terminal.

OPTIONS

Foil Faced Insulation

Insulation shall be covered with scrim backed foil facing. All insulation edges shall be covered with foil or metal nosing. Insulation shall meet ASTM C1136 for mold, mildew, and humidity resistance.

Elastomeric Closed Cell Foam Insulation

Provide Elastomeric Closed Cell Foam Insulation in lieu of standard. Insulation shall conform to UL 181 for erosion and NFPA 90A for fire, smoke and melting, and comply with a 25/50 Flame Spread and Smoke Developed Index per ASTM E-84 or UL 723. Additionally, insulation shall comply with Antimicrobial Performance Rating of 0, no observed growth, per ASTM G-21. Polyethylene insulation is not acceptable.

Double Wall Construction

The terminal casing shall be double wall construction using a 22 gauge galvanized metal liner covering all insulation.

Low Temperature Construction

Terminals shall be designed for use with primary airflow

temperatures as low as 46°F and maximum ceiling plenum conditions of 78°F and 60% R.H. In addition to other design criteria, the primary air valve shall be thermally isolated from the terminal casing. The damper shaft shall be made from non-conducting thermoplastic composite material. Metal shafts will not be acceptable.

Piping Packages

Provide a standard factory assembled non-insulated valve piping package to consist of a 2 way, on/off, motorized electric control valve and two ball isolation valves. Control valves are piped normally closed to the coil. Maximum entering water temperature on the control valve shall be 200°F. The maximum close-off pressure is 40 PSIG (1/2") or 20 PSIG (3/4"). Maximum operating pressure shall be 300 PSIG.

Option: Provide 3-wire floating point modulating control valve (fail-in-place) in lieu of standard 2-position control valve with factory assembled valve piping package.

Option: Provide high pressure close-off actuators for 2-way, on/off control valves. Maximum close-off pressure is 50 PSIG (1/2") or 25 PSIG (3/4").

Option: Provide either a fixed or adjustable flow control device for each piping package.

Option: Provide unions and/or pressure-temperature ports for each piping package.

Piping package shall be completely factory assembled, including interconnecting pipe, and shipped separate from the unit for field installation on the coil, so as to minimize the risk of freight damage.

CONTROLS

Analog Electronic Controls

Furnish and install Series 7000 Pressure Independent Analog Electronic Control System where indicated on the plans and in the specifications. The complete system shall be fully operational and include the following:

- Single duct, dual duct, and/or fan powered terminal units
- Pressure independent Series 7000 analog electronic zone controllers with integral differential pressure transducer
- Analog electronic wall thermostat
- Electronic air valve actuator
- 24 VAC control transformers
- Air pressure switches as required
- Electronic duct temperature sensors as required

GUIDE SPECIFICATIONS

Pneumatic Controls

Units shall be controlled by a pneumatic differential pressure reset volume controller. Controller shall be capable of pressure independent operation down to 0.03 inches W.G. differential pressure and shall be factory set to the specified airflow (CFM). Controller shall not exceed 11.5 scim (Standard Cubic Inches per Minute) air consumption @ 20 PSIG.

Unit primary air valve shall modulate in response to the room mounted thermostat and shall maintain airflow in relation to thermostat pressure regardless of system static pressure changes. An airflow (CFM) curve shall

be affixed to the terminal unit expressing differential pressure vs. CFM. Pressure taps shall be provided for field use and ease of balancing.

Terminal unit manufacturer shall supply and manufacture a 5 to 10 PSIG pneumatic actuator capable of a minimum of 45 in. lbs. of torque.

Actual sequence of operation is shown on the contract drawings. Terminal unit manufacturer shall coordinate, where necessary, with the Temperature Control Contractor.

ENVIRO-TEC is a registered trademark and FlowStar™ is a trademark of Johnson Controls, Inc. in the United States of America and other countries. Other trademarks used herein may be trademarks or registered trademarks of other companies.

Catalog: ET130.13-EG1 (415) Supersedes ET130.13-EG1 (1113)
© 2015 Johnson Controls, Inc. P.O. Box 423, Milwaukee, WI 53201 Printed in USA
www.enviro-tec.com

